

# Blue Connect Blue Fit50



H0873400 REVD - ABC01 12/2025

[USER MANUAL](#) EN

[MANUAL UTILISATEUR](#) FR

[MANUAL DE USUARIO](#) ES

[BENUTZERHANDBUCH](#) DE

[MANUALE D'USO](#) IT

[HANDLEIDING](#) NL

[MANUAL DO USUÁRIO](#) PT

[UŽIVATELSKÝ MANUÁL](#) CZ

[ANVÄNDARMANUAL](#) SV

[BRUGERMANUAL](#) DA

[BRUKERMANUAL](#) NO

[OHJEKIRJA](#) FI

[INSTRUKCJA OBSŁUGI](#) PL

[HASZNÁLATI UTASÍTÁS](#) HU

[ΕΓΧΕΙΡΙΔΙΟ ΧΡΗΣΤΗ](#) EL

[УПУТСТВО ЗА КОРИШЋЕЊЕ](#) CP

[KORISNIČKI PRIRUČNIK](#) HR

[MANUAL DE UTILIZARE](#) RO

[POUŽÍVATEĽSKÁ PRÍRUČKA](#) SK

[РЪКОВОДСТВО ЗА УПОТРЕБА](#) BG

[KULLANIM KILAVUZU](#) TR

[دليل الاستخدام](#) العربية

works  
with

FLUIDRA  
POOL





# CONTENTS

1. BLUE CONNECT INTRODUCTION .....	4
Overview .....	4
2. DESCRIPTION.....	5
3. APP INSTALLATION .....	6
Download the App .....	6
4. BLUE CONNECT INSTALLATION.....	6
Charge .....	6
Pairing to the App .....	7
Install.....	8
5. STATUS LED .....	9
6. MAINTENANCE.....	10
pH Probe Calibration .....	10
ORP Probe Calibration.....	11
Probe Replacement.....	12
Winterization .....	14
7. TROUBLESHOOTING.....	16
8. BLUE FIT 50 INTRODUCTION .....	17
9. BLUE FIT50 DESCRIPTION .....	17
Precautions for Use.....	17
10. BLUE FIT50 INSTALLATION.....	18
11. BLUE FIT50 WINTERIZATION .....	19



**Recycling** This symbol is required by the European directive WEEE 2012/19/EU (directive on waste electrical and electronic equipment) and means that your appliance must not be thrown into a normal bin. It will be selectively collected for the purpose of reuse, recycling or transformation. If it contains any substances that may be harmful to the environment, these will be eliminated or neutralised. Contact your retailer for recycling information.



- Before using the appliance, it is important to read the safety warnings and the warranty booklet delivered with the product. Failure to do so may result in serious or fatal injury, material damage, and will void the warranty.
- Keep and pass these documents on for later viewing throughout the appliance's service life.
- The distribution or modification of this document in any way is prohibited without prior authorization from the manufacturer.
- The manufacturer is constantly developing its products to improve quality. The manufacturer reserves the right to totally or partially change the product's features or the content of this document without prior warning.

## 1. BLUE CONNECT INTRODUCTION

---

Blue Connect continuously measures the key parameters of your swimming pool (temperature, pH, chlorine, conductivity). It also informs you of the external temperature and weather based on your geolocation. The results of this analysis are then communicated to you via notifications on the Fluidra Pool app (available on smartphone and tablet, compatible with Android™ and iOS). If the device detects that one of the parameters is incorrect, you will receive an alert and information on the corrective action to perform to regulate and stabilize this parameter to maintain a healthy and balanced water quality.

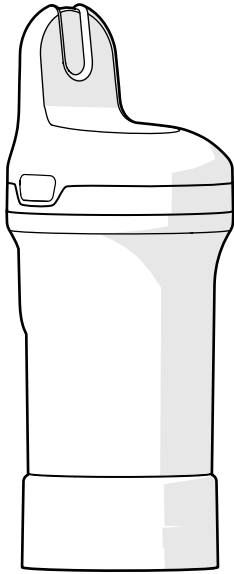
### Overview

Blue Connect measures:

- **Water temperature** (°C): Measures water temperature. An elevated temperature reduces the efficiency of the chlorine and promotes the development of microorganisms.
- **pH** (hydrogen potential): Measures the acidic or basic character of the water. pH contributes to the effectiveness of the disinfectant.
- **ORP/REDOX** (oxidation-reduction potential/ redox potential): The ORP or REDOX measures the oxidizing power of the water in mV. It provides information on the disinfecting power of water.
- **Conductivity** (μS): Measures the concentration of inorganic salts in the water by the ability of the latter to conduct electricity (depending on the model).
- **Salinity** (g/L): Measures the concentration of salt dissolved in the water (depending on the model).

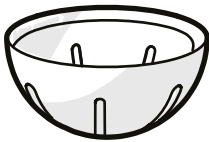
## 2. DESCRIPTION

---



**Blue Connect** - Delivered with the storage foot on to protect the probe during transportation. The probe is immersed in KCl (saturated potassium chloride), which assures its protection.

**Storage foot** - Used to transport the probe out of the water or to keep the sensors immersed during an extended storage (for example when charging or in winter).

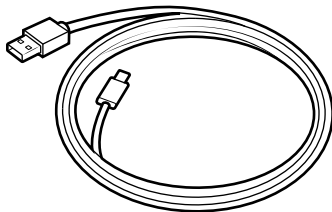


**Sensor cap** -Must always be mounted on the device before placing it in water. It protects the sensors from any damage.



**Cord**- Used to fix the device to a point of attachment (optional).

You may need to use a small pair of pliers to insert it in the opening on the side of the product.

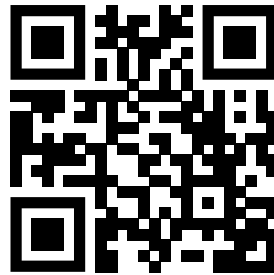


**USB-C cable**- Used for charging

### 3. APP INSTALLATION

#### Download the App

Download the Fluidra Pool app and follow the instructions to create an account and set up your pool.



### 4. BLUE CONNECT INSTALLATION

The following steps are needed to get Blue Connect up and running:

- Charge the device,
- Pair the device to the Fluidra Pool app
- Install the sensor cap and put it in the pool

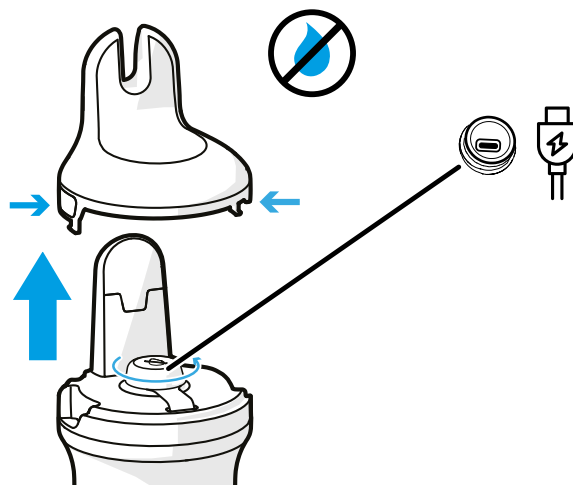
#### Charge



- You must fully charge the device before using it. Always charge it in an upright vertical position using the storage foot filled with KCL solution or water.
- While charging, the measurement values (pH, ORP) may not be correct. Do not take in to account measurement values when charging.

To charge Blue Connect:

1. **Dry Blue Connect thoroughly** then remove the top cover by pressing on each side and pull upwards.
2. Unscrew the charge port cap and connect the USB-C cable to the device and to a power supply to charge.

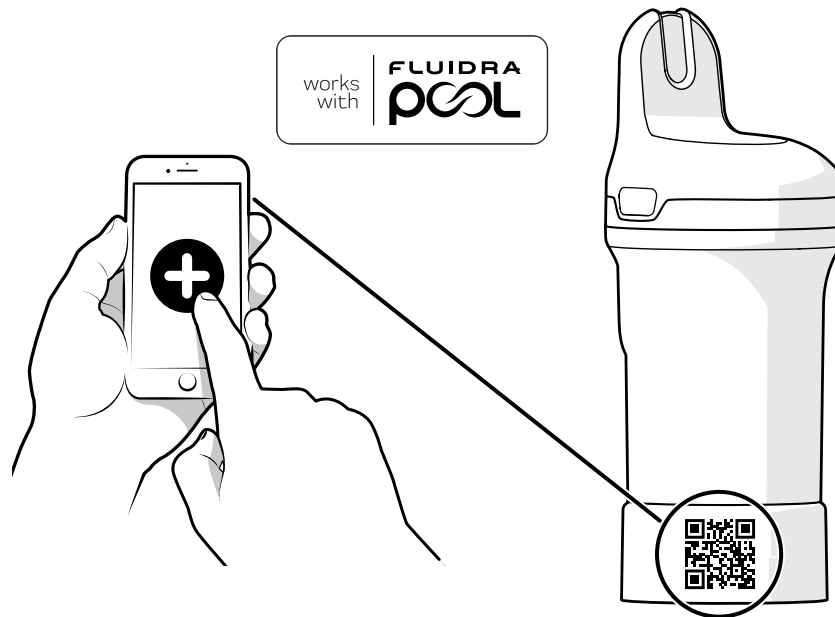


**The charge port must be dry before charging. Handle with dry hands in a dry area.**

3. After charging, **close the charge port tightly** and place the top back on Blue Connect

## Pairing to the App

Open the Fluidra Pool app and click on **Add equipment** to pair the Blue Connect. The QR Code used for pairing is located on the storage foot and under the top cover that is removed for charging.

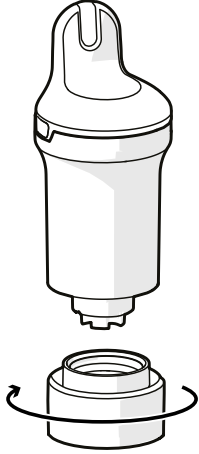


Once connected to the app, you will be notified in the app if there are any firmware updates available. Follow the instructions in the app to update your product.

## Install

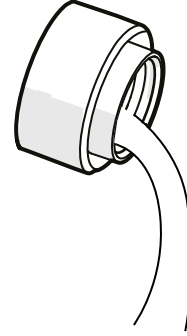
Before use, you must remove the storage foot and install the sensor cap.

1. Set Blue Connect upright and unscrew the storage foot.

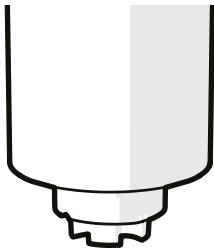


2. Empty the storage foot and rinse in clear water. Set aside.

**NOTE:** Keep the storage foot in a safe place for use later.



3. Rinse the probe in clear water.

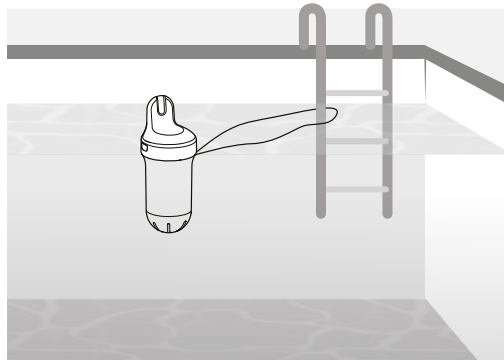


4. Screw on the sensor cap to protect the probes.



5. Put Blue Connect in the pool and leave it floating in the water. If needed, you can secure it by fixing it to a point of attachment with the cord.

Make sure the device is in vertical position and the top is out of the water to allow correct communication.

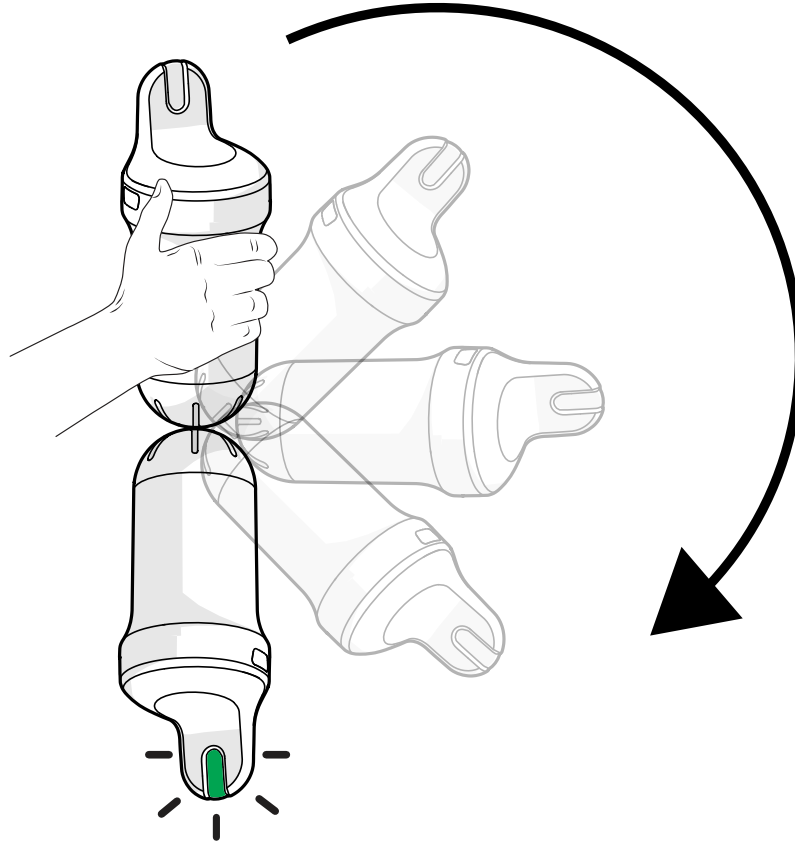


**For pools with a pool cover, it is not recommended to use the cord to attach Blue Connect when closing the pool cover. If attached, the device may be immersed in the water and lose connectivity.**

## 5. STATUS LED

The LED indicator on the product provides information on water quality, battery status, and charging.

If you want to check the water/battery status directly on the device (instead of looking in the app) take it out of the water and turn it upside down as shown. You must hold it at least 1 second in the upside down position. Blue Connect emits a beep and the LED lights up (see the LED status table below).



STATE	STATUS LED / BEEP	DESCRIPTION
Charging	Slow blinking blue / 1 beep	Charging
	Solid blue	Charged (full)
Not activated	Off	Device not activated
Quick status check	3 red flashes / 3 beeps	Battery low
	Solid green 5s / 1 beep	Water OK
	Solid orange 5s / 1 beep	Water not ok (water quality needs to be checked and corrected. See the Fluidra Pool app for more information)
	Solid white 5s / 1 beep	No water status, device on
Firmware update	Fast blinking blue / 1 beep	

## 6. MAINTENANCE

All maintenance procedures must be done using the Fluidra Pool app.

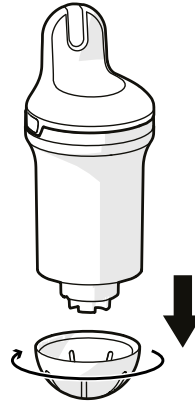


- Calibration products are for single use only. Never use them twice. Please contact your reseller to get a new one.
- Calibration should not be performed when charging the device (charger disconnected).

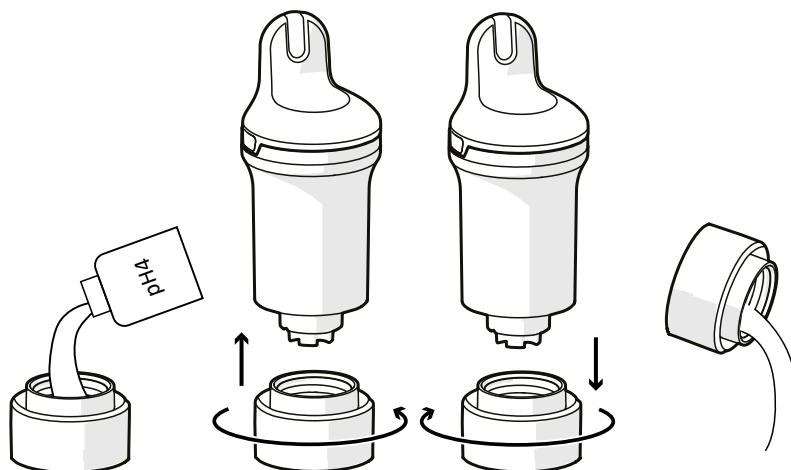
### pH Probe Calibration

Calibration for the pH probe should be performed once per season. A calibration kit is necessary- contact your local reseller for more information. It is not necessary for first installation.

1. Take the device out the water, remove the sensor cap and rinse the probe in clear water.



2. Rinse the storage foot with clear water and wipe it dry.
3. Be sure Bluetooth® is activated on your smartphone. Stay close to your device throughout the whole calibration process.
4. In the app select the product, look for the probe calibration section, and follow the guided steps.
5. Place a pH4 solution in the storage foot and screw it onto the device. Follow the instructions in the app.
6. Once the pH4 measurement is complete, unscrew the storage foot and rinse the probe. Empty, rinse with clear water, and wipe the foot.



7. Repeat step 5 using the pH7 solution.



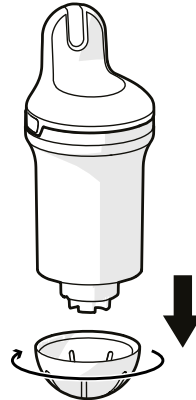
Always clean the probe and storage foot with clear water after using a calibration product to avoid mixtures.

8. Validate calibration.
9. Install the sensor cap on Blue Connect and put it back in the swimming pool.

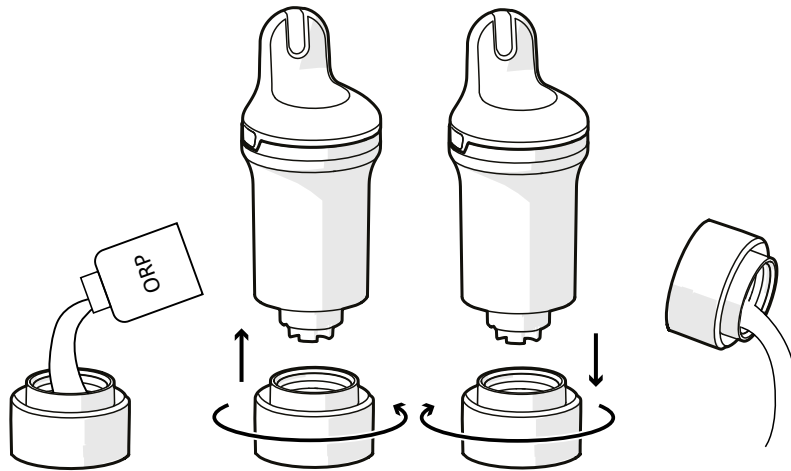
## ORP Probe Calibration

ORP probe calibration should be performed once per season. A calibration kit is necessary- contact your local reseller for more information. It is not necessary for first installation.

1. Take the device out the water, remove the sensor cap and rinse the probe in clear water.



2. Rinse the storage foot with clear water and wipe it dry.
3. Be sure Bluetooth® is activated on your smartphone. Stay close to your device throughout the whole calibration process.
4. In the app select the product, look for the probe calibration section, and follow the guided steps.
5. Place an ORP solution in the storage foot and screw it onto the device. Follow the instructions in the app
6. Once the ORP measurement is complete, unscrew the storage foot and rinse the probe. Empty, rinse with clear water, and wipe the foot.



- Always clean the probe and storage foot with clear water after using a calibration product to avoid mixtures.
- After ORP calibration, it can take some time to get correct measurements. Wait at least 6 hours before performing a measurement in the pool.

7. Validate calibration.
8. Install the sensor cap on Blue Connect and put it back in the swimming pool.

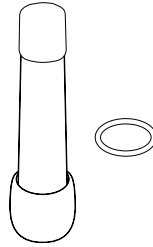
## Probe Replacement

The probe needs to be replaced approximately every two years. Please contact your reseller to get a new probe.



- To ensure maximum longevity of the probe, keep it for as long as possible in a humid environment. If you take the device out of the water, you must install the storage foot with KCl (saturated potassium chloride), pH4 or, as a last resort, pool water.
- A low pH (within the correct pool parameters) enhances the longevity of the probe.
- When changing the probe, ensure the product does not remain open for too long, as desiccant may absorb humidity and then free this humidity into the product once closed

### Probe Replacement Kit

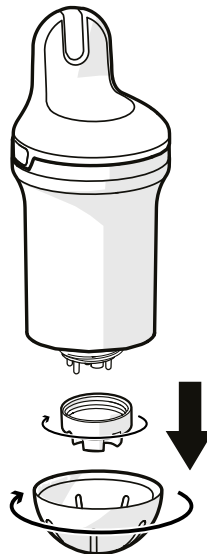


### Installation

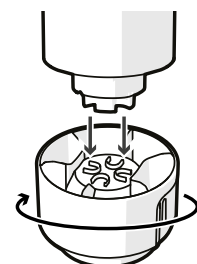


**It is highly recommended to perform this procedure keeping the product vertically upright so that no water enters the device.**

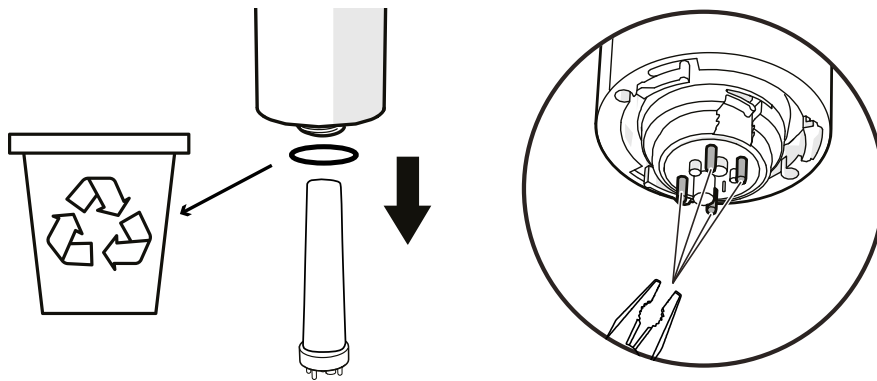
1. In the app select your product, look for the probe replacement section, and follow the guided steps.
2. Take Blue Connect out of the water. Wipe the device dry and start the procedure in a dry, clean place.
3. Remove the sensor cap and the probe cover.



If needed, you can use the under side of the storage foot to unscrew the probe cover.

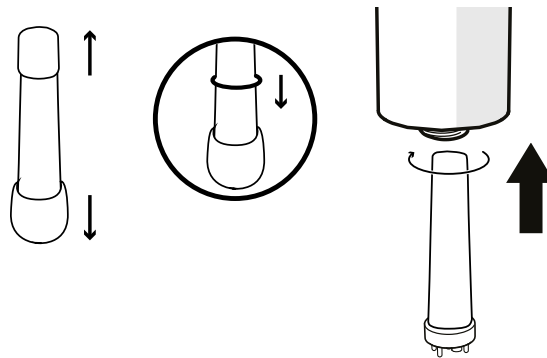


4. Gently pull on the four plastic tips of the probe. If needed, you may gently use pliers to removed the probe (see zoom). Wipe off any residual water and keep the device upright. Be sure to remove the seal and discard it (it may be stuck inside).



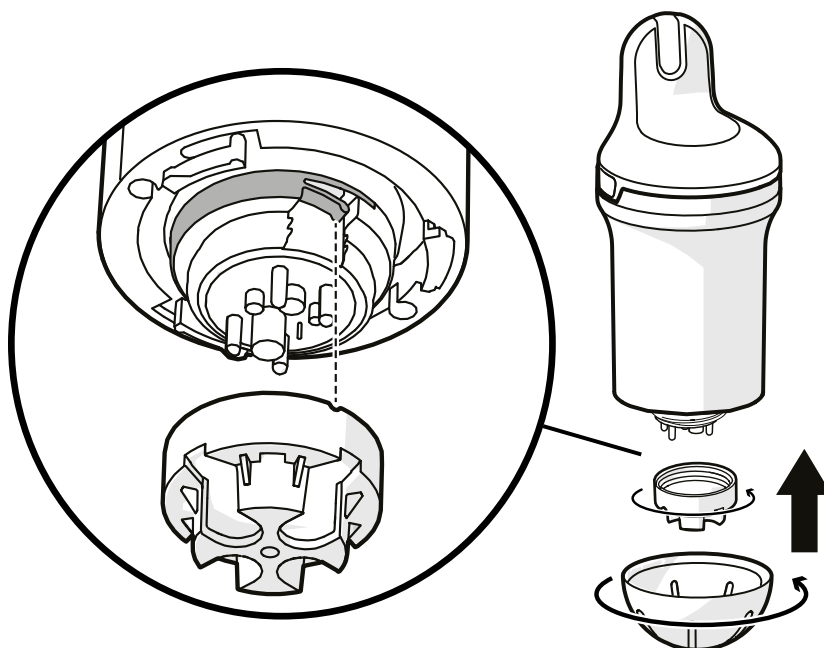
5. Scan the QR code of the new probe

6. Remove the protective cover on the new probe. Place the new seal on the new probe. Insert the probe and turn it until it is placed correctly.



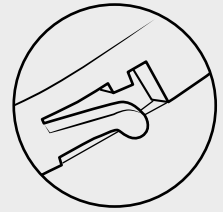
- Be careful not to drop the probe as it is very fragile.
- DO NOT use any tools and DO NOT touch the probe's sensing areas when installing to avoid damaging it.
- These steps should be carried out as quickly as possible to avoid having the device open for too long.

7. Screw the probe cover firmly onto the device until it clicks into place (see zoom). You can use the under side of the storage foot to tighten it. Then, install the sensor cap and place Blue Connect back in the water.





The probe cover must be screwed on so that the small tab clicks into place as shown. If not the product may be damaged.



The sensor may take a few hours to stabilize its parameters after its first immersion in the swimming pool

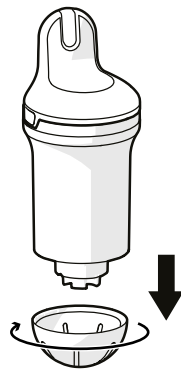
## Winterization

To keep your device in good working condition, you must store it properly for the winter by putting it in winter mode. Be sure that it is fully charged before following the procedure below.

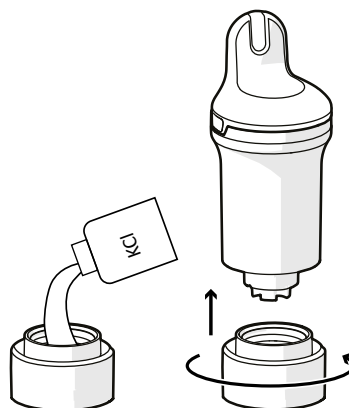
### Winter Mode

You must put the device in winter mode before storing it for the winter. **Winter mode cannot be activated if the device is charging.**

1. Remove Blue Connect from the water. Remove the sensor cap.



2. Be sure Internet (Wi-Fi or 4G) and Bluetooth® are enabled on your smartphone. Stay close to the device throughout the whole standby process.
3. Put the device in winter mode - in the app, select your product, look for winter mode, and follow the guided steps.
4. Rinse the storage foot with clean water and wipe it. Place KCl (saturated potassium chloride) or pH4 (or as a last resort, water) in the storage foot and screw it on.





The KCl present in the storage foot can cause the formation of agglomerated salt at the junction with the body of the device, but this is not dangerous in any case. Simply rinse with clear water.

5. Validate the winter mode and store Blue Connect sheltered from frost.

## Storage

If you need to take Blue Connect out of the pool for more than an hour, install the storage foot with KCl (saturated potassium chloride), pH4, or as a last resort, pool water as the probe should not be left dry.

## Re-Activate After Winterization

To re-activate Blue Connect after winterization, simply plug it in to charge the battery. This wakes up the device.

## 7. TROUBLESHOOTING

PROBLEM	SOLUTION
Pairing failed	Do not confuse letters and numbers (e.g. B and 8, l and 1, etc.) in the access code.
The measurements are not correct.	<ul style="list-style-type: none"> <li>• Check calibration of the sensor.</li> <li>• A bubble of air can corrupt measurements. Move the device slowly to try to remove any bubbles.</li> </ul>
Odd measurements (pH and redox)	Bubbles on the probe can be the cause. Shake the device under water to get rid of the bubbles and re-measure.
You turn the device upside down to get a status check and nothing happens	<ul style="list-style-type: none"> <li>• Flip the device slowly, be sure to hold it upside down for at least 1 second.</li> <li>• Plug it in to charge it.</li> </ul> <p>If the LED still does not light up, contact your retailer.</p>
The device does not charge (no blue LED)	<ul style="list-style-type: none"> <li>• Check your charger</li> <li>• Check your USB-C cable</li> </ul> <p>If the device still does not charge, contact your retailer.</p>
When you want to connect your device in Bluetooth, your device is not detected and doesn't appear on device list.	<ul style="list-style-type: none"> <li>• Check if bluetooth is active on your smartphone</li> <li>• Check if the device is not already connected to another smartphone</li> <li>• Charge the device</li> </ul> <p>If the device still does not charge, contact your retailer.</p>
You don't see the water status color after flipping your product.	<ul style="list-style-type: none"> <li>• Check in a darker area or by creating a shadow with your hand</li> <li>• Charge the device</li> </ul>
You must recharge the device often	<ul style="list-style-type: none"> <li>• Check the quality of Wi-Fi signal</li> <li>• Try leaving the device in different place in the pool</li> <li>• Install a Wi-Fi repeater close to your pool</li> </ul>
Data reported is completely out of the range	Check if the probe is present, if the nut is screwed on tightly, and if the screwing witness is in place.
Condensation appears inside the LED area	This is normal and does not affect how the product functions. The condensation will disappear after correctly storing the product for more than 6 days.
The product does not connect to the Wi-Fi	Move the product closer to the Wi-Fi box.
No measurement on first installation or after wintering	The sensor is too dry. Leave the sensor in the water for 24hrs, then calibrate and check if the sensor is functioning correctly.

## 8. BLUE FIT 50 INTRODUCTION

---

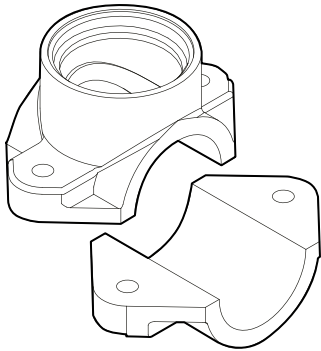
The Blue Fit50 is a hose clamp compatible with Blue Connect. It allows you to install Blue Connect on the piping in the technical room.



Blue Fit50 is a Blue Connect accessory. It is sold separately.

## 9. BLUE FIT50 DESCRIPTION

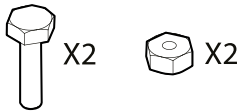
---



**One hose clamp**



**One threaded cap**



**Two screws and bolts**

### Precautions for Use

- Do not leave the Blue Connect on the Blue Fit50 when there is no water in the pipes.
- If handling on the hydraulic circuit (risk of water hammer), it is advisable to remove the Blue Connect in order not to damage the product.
- Make sure to create a sufficient flow in your installation so that the Blue Connect can take measures.
- Always place the Blue Connect vertically with the probe downwards.
- Do not charge Blue Connect when installed on the Blue Fit50. Remove it before charging.
- Do not charge the device all the time. When the device is charging, measurement values may be corrupt.

## 10. BLUE FIT50 INSTALLATION

Make sure to always place the Blue Fit50 after the filter (to avoid damaging the probes) and before your product injection system or electrolysis (to avoid altering the measures taken by Blue Connect).

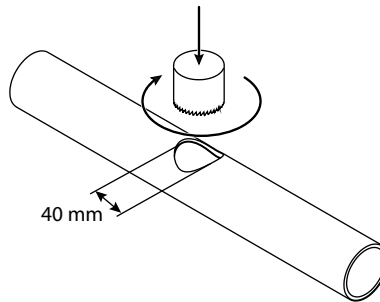
Maximum admissible water pressure for installation in the pipe is 300 kPa.

If needed, ask your pool specialist for advice in case of any doubt.

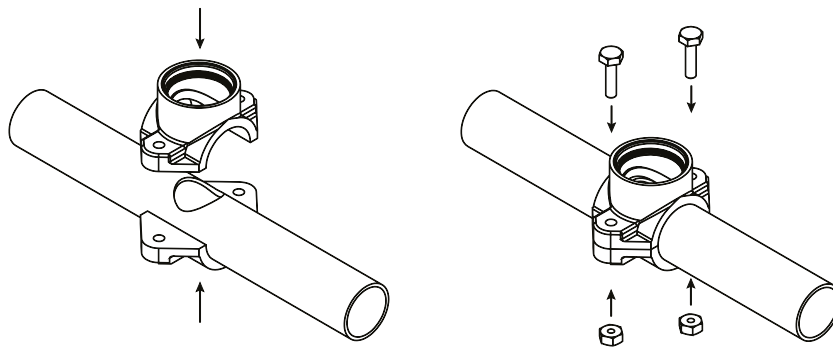
1. Turn off the filtration system.
2. With a 40mm diameter hole saw, drill a hole in the upper part of the pipe.



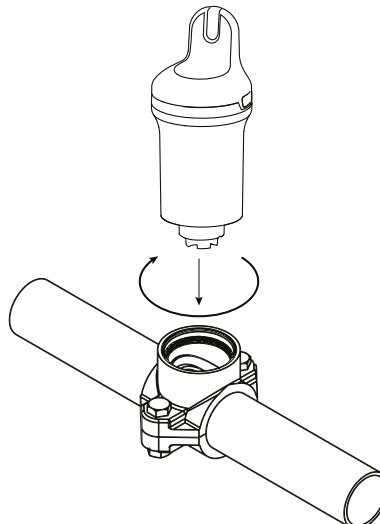
Blue Connect must be in vertical position, with the probe downwards.



3. Place both parts of the hose clamp on each side of the pipe so that the holes coincide, and screw the hose clamp.

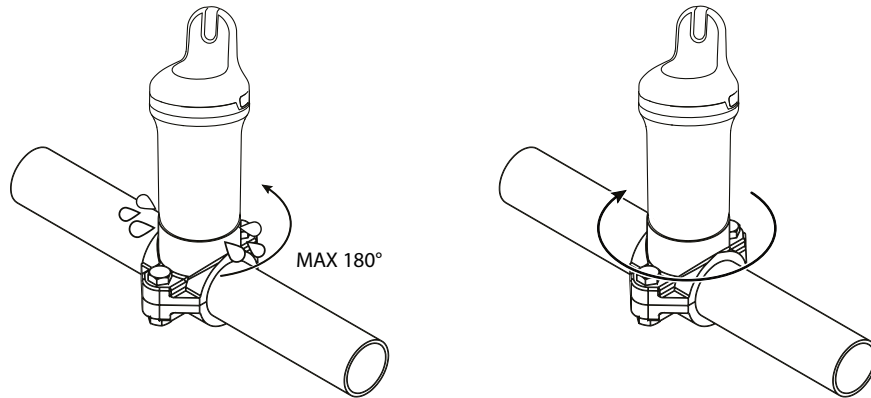


4. Screw Blue Connect on to the hose clamp. The top lip of Blue Connect should be parallel to the pipe.



5. Turn on the filtration system.

6. Slightly and slowly unscrew the Blue Connect (maximum  $\frac{1}{2}$  turn) to remove any air. As soon as the water comes out, it means that there is no air left in the pipes, and you can then tightly screw Blue Connect again.

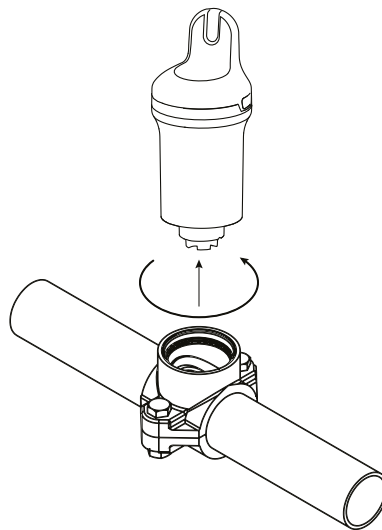


7. In the app, select the product and look for the activate Blue Fit50 option and follow the instructions.

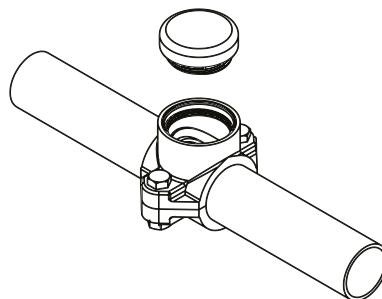
## 11. BLUE FIT50 WINTERIZATION

Follow this procedure when getting ready to store Blue Connect for the winter.

1. Switch off the filter pump, close the valves, and unscrew the Blue Connect.



2. Seal the hose clamp with the cap provided in the Blue Fit50 box.



3. Follow the procedure for Blue Connect Winterization (see [Winterization, page 14](#)).

## TABLE DES MATIÈRES

1. PRÉSENTATION DE BLUE CONNECT .....	21
Présentation.....	21
2. DESCRIPTION.....	22
3. INSTALLATION DE L'APPLICATION .....	23
Téléchargement de l'application .....	23
4. INSTALLATION DE BLUE CONNECT .....	23
Chargement .....	23
Association avec le smartphone .....	24
Installation .....	25
5. VOYANT D'ÉTAT .....	26
6. MAINTENANCE.....	27
Étalonnage de la sonde pH .....	27
Étalonnage de la sonde ORP .....	28
Remplacement de la sonde.....	29
Hivernage.....	31
7. RÉOLUTION DE PROBLÈME .....	33
8. INTRODUCTION DE BLUE FIT 50.....	34
9. PRÉSENTATION DE BLUE FIT50 .....	34
Précautions d'emploi .....	34
10. INSTALLATION DE BLUE FIT50 .....	35
11. HIVERNAGE DE BLUE FIT50 .....	36



**Recyclage** Ce symbole imposé par la Directive européenne WEEE 2012/19/UE (Directive sur les déchets d'équipements électriques et électroniques) indique que votre appareil ne doit pas être mis au rebut avec les déchets ménagers. Il fera l'objet d'une collecte sélective en vue de sa réutilisation, de son recyclage ou de sa valorisation. S'il contient des substances potentiellement dangereuses pour l'environnement, celles-ci seront éliminées ou neutralisées. Renseignez-vous auprès de votre revendeur sur les modalités de recyclage.



- Avant d'utiliser l'appareil, il est important de lire les avertissements de sécurité et le livret de garantie fourni avec le produit. Le non-respect de cette consigne peut entraîner des blessures graves voire mortelles, des dommages matériels, et annulera la garantie.
- Veuillez conserver ces documents tout au long de la durée de vie de l'appareil et les transmettre en cas de changement de propriétaire.
- Toute diffusion ou modification de ce document est interdite sans l'accord préalable du fabricant.
- Le fabricant fait constamment évoluer ses produits pour en améliorer la qualité. Le fabricant se réserve le droit de modifier, en tout ou partie, les caractéristiques du produit ou le contenu de ce document sans préavis.

## 1. PRÉSENTATION DE BLUE CONNECT

---

Blue Connect mesure en continu les paramètres clés de votre piscine (température, pH, chlore, conductivité). Il vous fournit également la température extérieure et la météo en fonction de votre géolocalisation. Les résultats de cette analyse vous sont ensuite transmis sous forme de notifications sur l'application Fluidra Pool (disponible sur smartphone et tablette, compatible Android™ et iOS). Si l'appareil détecte un paramètre incorrect, une alerte vous sera envoyée accompagnée des instructions à suivre pour corriger et stabiliser ce paramètre et ainsi maintenir une qualité d'eau saine et équilibrée.

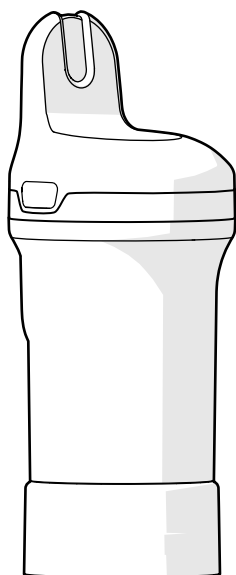
### Présentation

Blue Connect mesure les éléments suivants :

- **Température de l'eau** (°C) : Mesure la température de l'eau Une température élevée réduit l'efficacité du chlore et favorise le développement de micro-organismes.
- **pH** (potentiel hydrogène) : Mesure le caractère acide ou basique de l'eau. Le pH contribue à l'efficacité du désinfectant.
- **ORP/REDOX** (potentiel d'oxydation-réduction / potentiel redox) : L'ORP ou REDOX mesure le pouvoir oxydant de l'eau en mV. Il fournit des informations sur le pouvoir désinfectant de l'eau.
- **Conductivité** (µS) : Mesure la concentration de sels inorganiques dans l'eau en fonction de sa capacité à conduire l'électricité (selon le modèle).
- **Salinité** (g/L) : Mesure la concentration de sel dissous dans l'eau (selon le modèle).

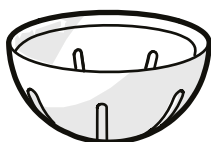
## 2. DESCRIPTION

---



**Blue Connect** - Livré avec un support de stockage permettant de protéger la sonde pendant le transport. La sonde est immergée dans du KCl (chlorure de potassium saturé), ce qui assure sa protection.

**Support de stockage** - Permet de transporter la sonde hors de l'eau ou de maintenir les capteurs immergés lors d'un stockage prolongé (par exemple en cours de charge ou en hiver).

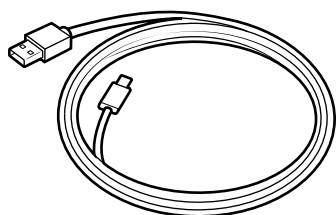


**Capuchon de capteur** -Doit toujours être installé sur l'appareil avant de le placer dans l'eau. Il protège les capteurs de tout dommage.



**Cordon**- Utilisé pour attacher l'appareil à un point fixe (facultatif).

Il se peut que vous ayez besoin d'utiliser une petite pince pour l'insérer dans l'ouverture située sur le côté du produit.

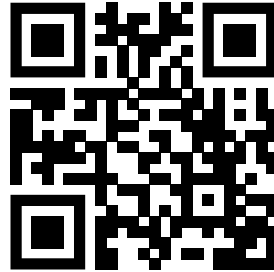


**Câble USB-C**- Utilisé pour la recharge

## 3. INSTALLATION DE L'APPLICATION

### Téléchargement de l'application

Téléchargez l'application Fluidra Pool et suivez les instructions qui vous sont données pour créer un compte et configurer votre piscine.



## 4. INSTALLATION DE BLUE CONNECT

Les étapes suivantes sont nécessaires pour rendre Blue Connect opérationnel :

- Chargez l'appareil,
- Associez l'appareil à l'application Fluidra Pool.
- Installez le capuchon du capteur et placez-le dans la piscine.

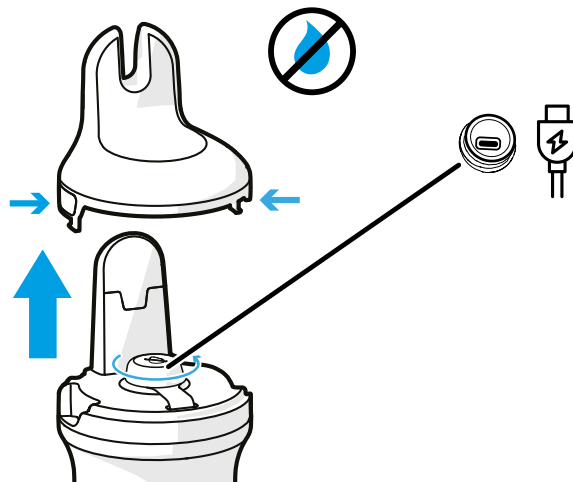
### Chargement



- Veuillez charger complètement l'appareil avant de l'utiliser. Chargez-le toujours en position verticale à l'aide du support de stockage rempli de solution KCL ou d'eau.
- Pendant la charge, les valeurs mesurées (pH, ORP) peuvent être erronées. Ne tenez pas compte de ces valeurs lors de la charge.

Pour charger Blue Connect :

1. **Séchez complètement Blue Connect**, puis retirez le couvercle supérieur en appuyant sur les côtés et en le tirant vers le haut.
2. Dévissez le capuchon du port de charge, puis branchez le câble USB-C à l'appareil et à une source d'alimentation pour le charger.



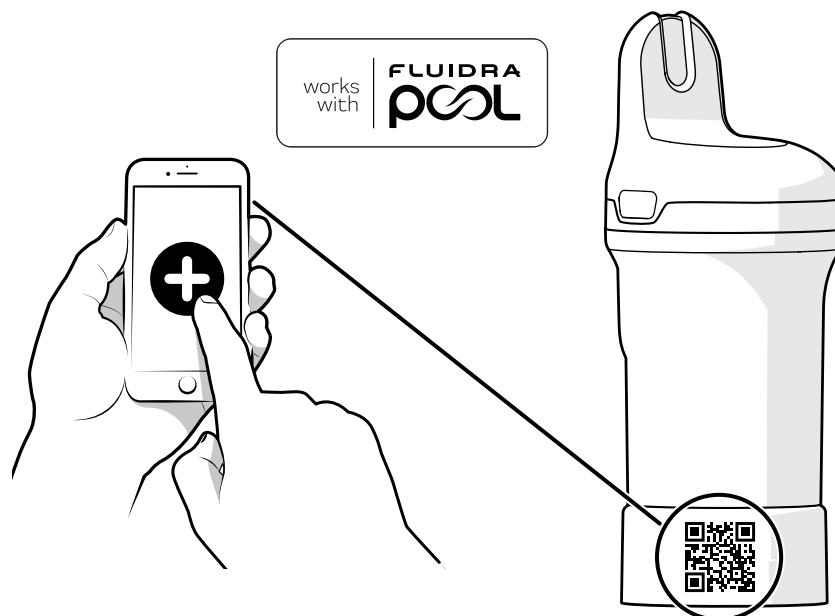


**Le port de charge doit être sec avant d'être utilisé pour la charge. Manipulez-le avec des mains sèches et dans un endroit sec.**

3. Après la charge, **refermez hermétiquement le port de charge** et remplacez le capuchon supérieur sur Blue Connect

## Association avec le smartphone

Ouvrez l'application Fluidra Pool et cliquez sur **Ajouter un équipement** pour associer Blue Connect. Le QR code utilisé pour l'association se trouve sur le support de stockage et sous le couvercle supérieur qui est retiré pour la charge.

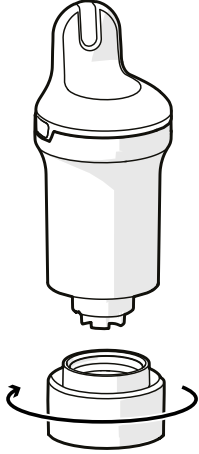


Une fois connecté(e) à l'application, vous serez informé(e) de la disponibilité de mises à jour du micrologiciel. Suivez les instructions fournies par l'application pour mettre à jour votre produit.

## Installation

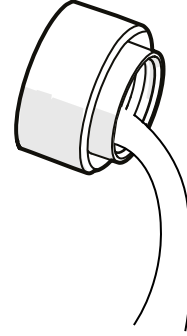
Avant toute utilisation, vous devez retirer le support de stockage et installer le capuchon du capteur.

1. Placez Blue Connect à la verticale et dévissez le support de stockage.

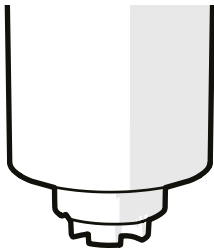


2. Videz le support de stockage et rincez-le à l'eau claire. Mettez-le de côté.

**REMARQUE ::** Conservez le support de stockage dans un endroit sûr pour une utilisation ultérieure.



3. Rincez la sonde à l'eau claire.

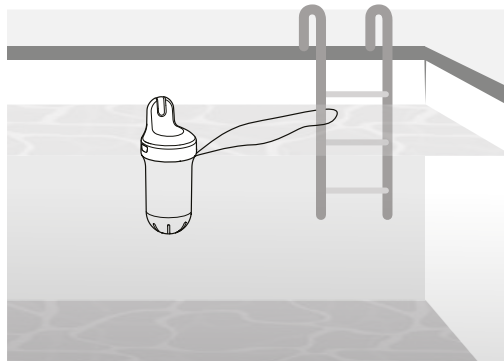


4. Vissez le capuchon du capteur de façon à protéger les sondes.



5. Mettez Blue Connect dans la piscine et laissez-le flotter dans l'eau. Si nécessaire, vous pouvez le sécuriser en l'attachant à un point fixe à l'aide du cordon.

Veillez à ce que l'appareil soit en position verticale et à ce que la partie supérieure soit hors de l'eau afin de permettre une communication correcte.

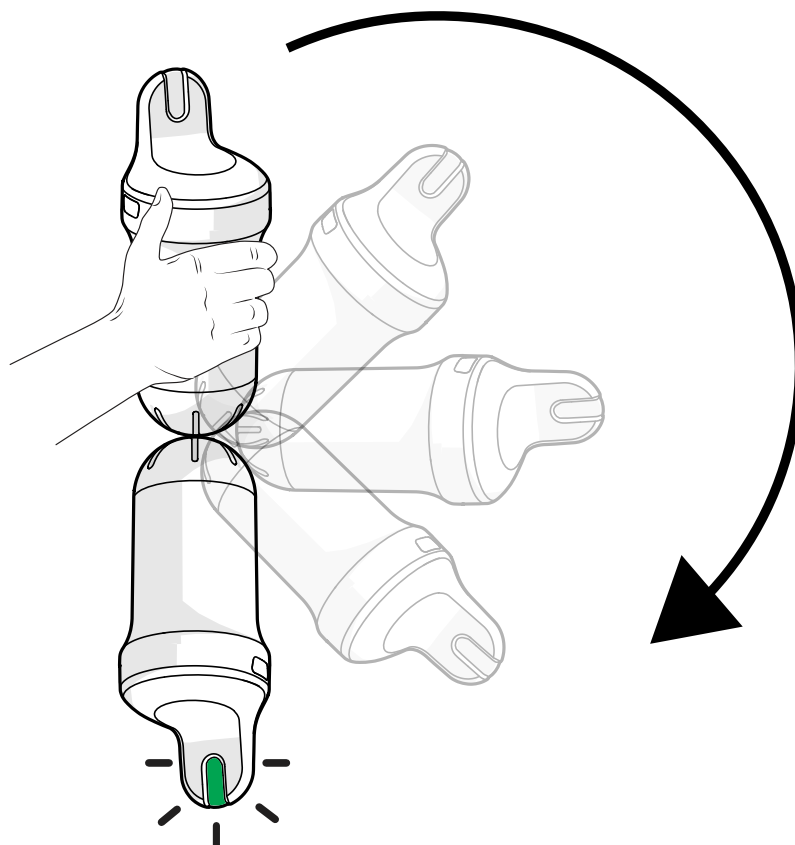


**Pour les piscines équipées d'un abri, il n'est pas recommandé d'utiliser le cordon pour attacher Blue Connect lors de la fermeture de l'abri. Lorsqu'il est attaché, l'appareil peut être immergé dans l'eau et perdre sa connectivité.**

## 5. VOYANT D'ÉTAT

Le voyant LED du produit fournit des informations sur la qualité de l'eau, l'état de la batterie et la charge.

Si vous souhaitez vérifier la qualité de l'eau ou l'état de la batterie directement depuis l'appareil (au lieu de consulter l'application), sortez-le de l'eau et mettez-le à l'envers comme indiqué. Vous devez le maintenir à l'envers pendant au moins 1 seconde. Blue Connect émet alors un bip et le voyant s'allume (voir le tableau d'état des voyants ci-dessous).



ÉTAT	VOYANT D'ÉTAT / BIP	DESCRIPTION
En charge	Clignotement bleu lent / 1 bip	En charge
	Bleu fixe	Chargé (100 %)
Non activé	Éteint	Appareil non activé
Vérification rapide de l'état	3 clignotements rouges / 3 bips	Batterie faible
	Vert fixe 5 s / 1 bip	Eau OK
	Orange fixe 5 s / 1 bip	L'eau n'est pas bonne (la qualité de l'eau doit être vérifiée et corrigée. Consulter l'app Fluidra Pool pour plus d'informations)
	Blanc fixe 5 s / 1 bip	Absence d'état de l'eau, appareil en marche
Mise à jour du micrologiciel	Clignotement bleu rapide / 1 bip	

## 6. MAINTENANCE

Toutes les procédures de maintenance doivent être effectuées via l'application Fluidra Pool.

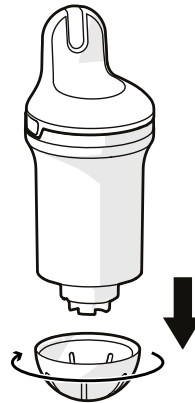


- Les produits d'étalonnage sont à usage unique. Ne les utilisez jamais plus d'une fois. Veuillez contacter votre revendeur pour en obtenir de nouveaux.
- L'étalonnage ne doit pas être effectué lors du chargement de l'appareil.

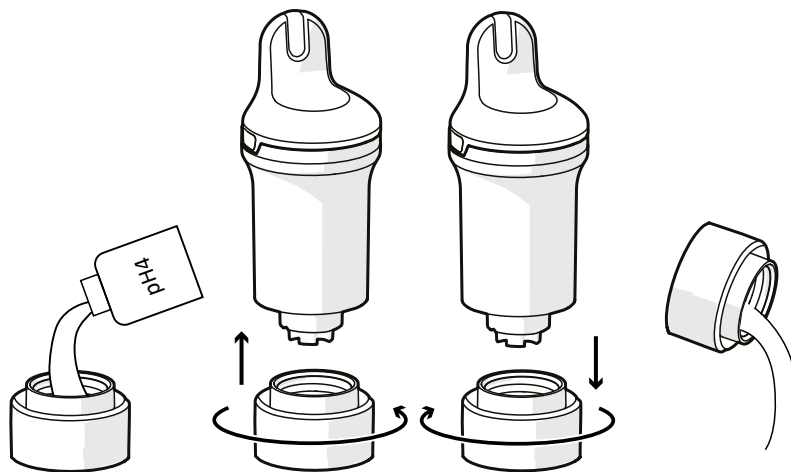
### Étalonnage de la sonde pH

L'étalonnage de la sonde pH doit être effectué une fois par saison. Un kit d'étalonnage est nécessaire ; contactez votre revendeur local pour en savoir plus. Celui-ci n'est pas nécessaire lors de la première installation.

1. Sortez l'appareil de l'eau, retirez le capuchon du capteur et rincez la sonde à l'eau claire.



2. Rincez le support de stockage à l'eau claire et essuyez-le.
3. Assurez-vous que le Bluetooth® est activé sur votre smartphone. Restez à proximité de votre appareil pendant toute la durée du processus d'étalonnage.
4. Dans l'application, sélectionnez le produit, recherchez la section relative à l'étalonnage de la sonde et suivez les étapes indiquées.
5. Placez une solution de pH4 dans le support de stockage et vissez-le sur l'appareil. Suivez les instructions de l'application.
6. Une fois la mesure de pH4 terminée, dévissez le support de stockage et rincez la sonde. Videz le support, rincez-le à l'eau claire et essuyez-le.



7. Répétez l'étape 5 en utilisant la solution pH7.



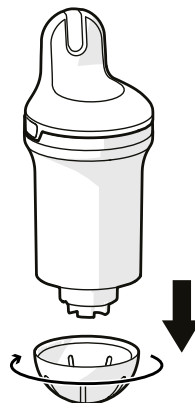
Toujours nettoyer la sonde et le support de stockage à l'eau claire après l'utilisation d'un produit d'étalonnage pour éviter les mélanges.

8. Validez l'étalonnage.
9. Installez le capuchon du capteur sur Blue Connect et remettez-le dans la piscine.

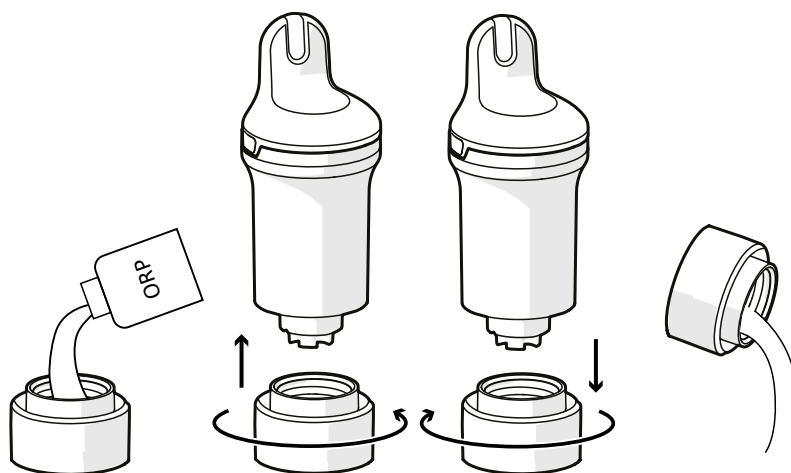
## Étalonnage de la sonde ORP

L'étalonnage de la sonde ORP doit être effectué une fois par saison. Un kit d'étalonnage est nécessaire ; contactez votre revendeur local pour en savoir plus. Celui-ci n'est pas nécessaire lors de la première installation.

1. Sortez l'appareil de l'eau, retirez le capuchon du capteur et rincez la sonde à l'eau claire.



2. Rincez le support de stockage à l'eau claire et essuyez-le.
3. Assurez-vous que le Bluetooth® est activé sur votre smartphone. Restez à proximité de votre appareil pendant toute la durée du processus d'étalonnage.
4. Dans l'application, sélectionnez le produit, recherchez la section relative à l'étalonnage de la sonde et suivez les étapes indiquées.
5. Placez une solution ORP dans le support de stockage et vissez-le sur l'appareil. Suivez les instructions de l'application.
6. Une fois la mesure d'ORP terminée, dévissez le support de stockage et rincez la sonde. Videz le support, rincez-le à l'eau claire et essuyez-le.



- Toujours nettoyer la sonde et le support de stockage à l'eau claire après l'utilisation d'un produit d'étalonnage pour éviter les mélanges.
- Après l'étalonnage du ORP/redox, l'obtention de mesures correctes peut prendre un certain temps. Attendez au moins 6 heures avant d'effectuer une mesure en piscine.

7. Validez l'étalonnage.
8. Installez le capuchon du capteur sur Blue Connect et remettez-le dans la piscine.

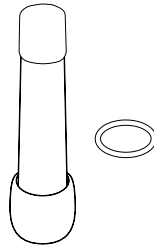
## Remplacement de la sonde

La sonde doit être remplacée tous les deux ans environ. Veuillez contacter votre revendeur pour obtenir une nouvelle sonde.



- Pour garantir une longévité maximale de la sonde, conservez-la autant que possible dans un environnement humide. Si vous sortez l'appareil de l'eau, vous devez remplir le support de stockage de KCl (chlorure de potassium saturé), du pH4 ou, en dernier recours, d'eau de piscine.
- Un pH faible (dans les limites des paramètres de la piscine) augmente la longévité de la sonde.
- Lors du remplacement de la sonde, veillez à ne pas laisser l'appareil ouvert trop longtemps, car le dessiccateur risque d'absorber l'humidité et de la libérer dans l'appareil une fois celui-ci refermé.

### Kit de remplacement de la sonde

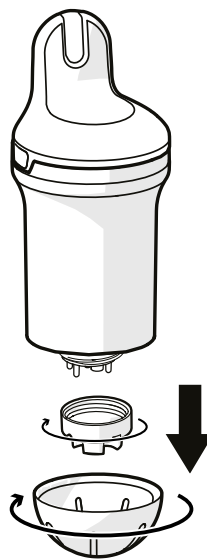


### Installation



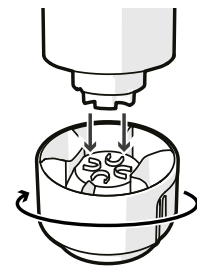
**Il est fortement recommandé d'effectuer cette procédure en gardant le produit à la verticale afin que l'eau ne pénètre pas dans l'appareil.**

1. Dans l'application, sélectionnez votre produit, recherchez la section relative au remplacement de la sonde et suivez les étapes indiquées.
2. Sortez Blue Connect de l'eau. Essuyez l'appareil et commencez la procédure dans un endroit sec et propre.
3. Retirez le capuchon du capteur et le couvercle de la sonde.

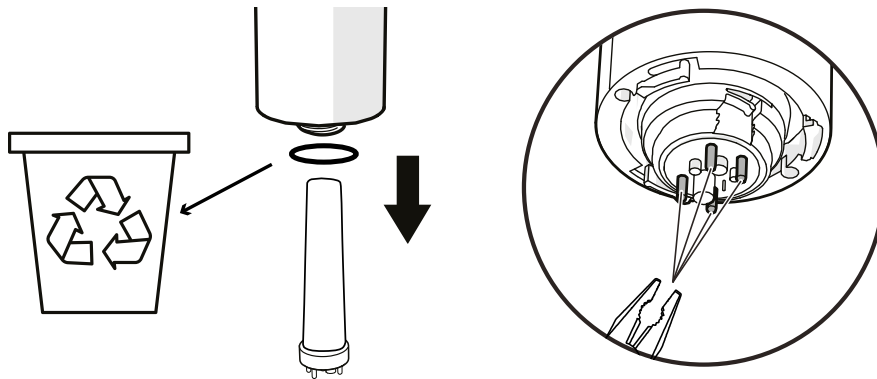




Si nécessaire, vous pouvez utiliser le dessous du support de rangement pour dévisser le couvercle de la sonde.

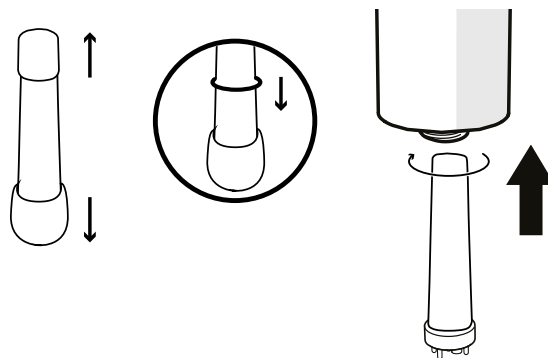


4. Tirez doucement sur les quatre embouts en plastique de la sonde. Si nécessaire, vous pouvez utiliser une pince pour retirer délicatement la sonde (voir zoom). Essuyez toute trace d'eau résiduelle et maintenez l'appareil en position verticale. Veillez à retirer le joint et à le jeter (il se peut qu'il soit coincé à l'intérieur).



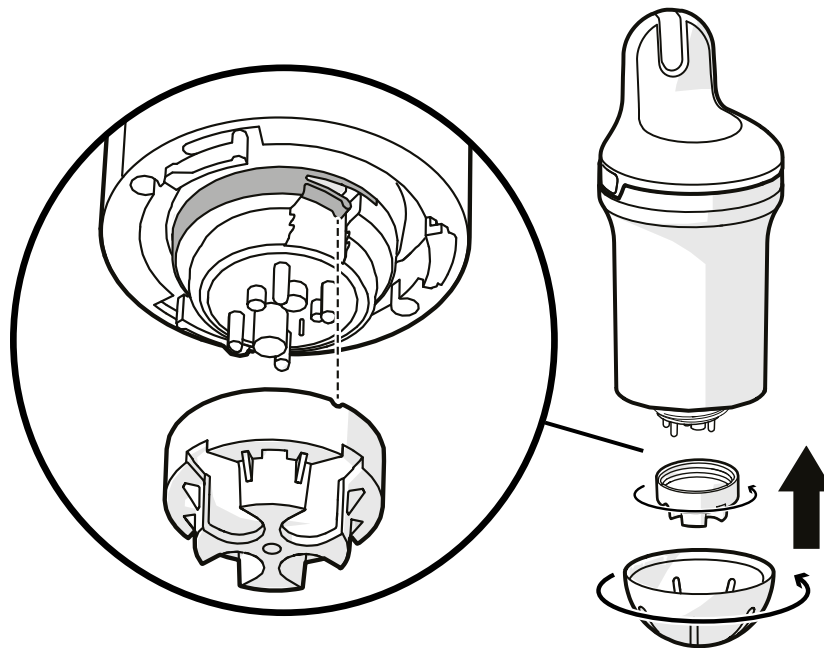
5. Scannez le QR code de la nouvelle sonde

6. Retirez le couvercle de protection de la nouvelle sonde. Placez le nouveau joint sur la nouvelle sonde. Insérez la sonde et faites-la tourner jusqu'à ce qu'elle soit correctement placée.

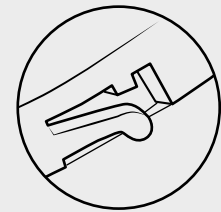


- **Veillez à ne pas faire tomber la sonde car elle est très fragile.**
- **N'utilisez PAS d'outils et ne touchez pas les zones de détection de la sonde lors de l'installation afin d'éviter de l'endommager.**
- **Ces étapes doivent être effectuées le plus rapidement possible afin d'éviter que l'appareil ne reste ouvert trop longtemps.**

7. Vissez fermement le couvercle de la sonde sur l'appareil jusqu'à ce qu'il s'enclenche (voir zoom). Vous pouvez utiliser le dessous du support de rangement pour le serrer. Installez ensuite le capuchon de la sonde, et remettez Blue Connect dans l'eau.



**Le couvercle de la sonde doit être vissé de manière à ce que la petite languette s'enclenche comme indiqué. Si ce n'est pas le cas, le produit risque d'être endommagé.**



Le capteur peut mettre quelques heures à stabiliser ses paramètres après sa première immersion dans la piscine.

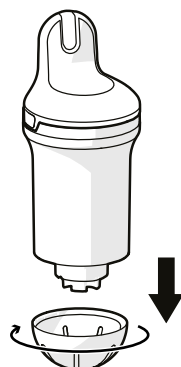
## Hivernage

Pour garantir le bon fonctionnement de votre appareil, il est essentiel de le stocker correctement durant l'hiver en activant le mode hivernage. Veillez à ce qu'il soit complètement chargé avant de suivre la procédure ci-dessous.

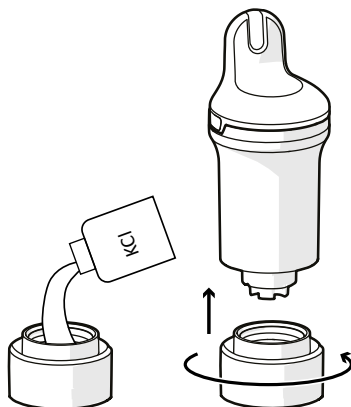
### Mode hiver

Vous devez mettre l'appareil en mode hiver avant de le ranger pour l'hiver. **Le mode hiver ne peut pas être activé lorsque l'appareil est en charge.**

1. Sortez Blue Connect de l'eau. Retirez le capuchon du capteur.



2. Assurez-vous d'avoir activé internet (Wi-Fi ou 4G) et le Bluetooth® sur votre smartphone. Restez à proximité de l'appareil pendant toute la durée de la mise en veille.
3. Mettez l'appareil en mode hiver ; dans l'application, sélectionnez votre produit, cherchez le mode hiver et suivez les étapes indiquées.
4. Rincez le support de stockage à l'eau claire et essuyez-le. Placez du KCl (chlorure de potassium saturé) ou du pH4 (ou en dernier recours, de l'eau) dans le support de stockage et vissez-le.



Le KCl contenu dans le support de stockage peut entraîner la formation de cristaux de sel aggloméré à la jonction avec le corps de l'appareil, mais cela n'est en aucun cas dangereux. Il suffit de le rincer à l'eau claire.

5. Validez le mode hiver et stockez Blue Connect à l'abri du gel.

## Stock

Si vous devez sortir le Blue Connect de la piscine pendant plus d'une heure, installez le support de stockage avec du KCl (chlorure de potassium saturé), du pH4, ou en dernier recours, de l'eau de piscine car la sonde ne doit pas rester sèche.

## Réactivation après hivernage

Pour réactiver Blue Connect après l'hivernage, il suffit de le brancher pour charger la batterie. Cette opération réactive l'appareil.

## 7. RÉOLUTION DE PROBLÈME

PROBLÈME	SOLUTION
L'association a échoué	Ne confondez pas les lettres et les chiffres (par exemple B et 8, l et 1, etc.) des code d'accès.
Les mesures ne sont pas correctes.	<ul style="list-style-type: none"> <li>• Vérifiez l'étalonnage du capteur.</li> <li>• Une bulle d'air peut fausser les mesures. Déplacez l'appareil lentement pour tenter d'éliminer les bulles.</li> </ul>
Mesures anormales (pH et ORP)	La présence de bulles sur la sonde peut en être la cause. Secouez l'appareil sous l'eau de façon à éliminer les bulles, puis recommencez les mesures.
Vous retournez l'appareil pour vérifier son état et rien ne se passe	<ul style="list-style-type: none"> <li>• Retournez lentement l'appareil, en veillant à le maintenir à l'envers pendant au moins une seconde.</li> <li>• Branchez-le pour le charger.</li> </ul> <p>Si le voyant ne s'allume toujours pas, contactez votre revendeur.</p>
L'appareil ne se charge pas (absence de voyant bleu)	<ul style="list-style-type: none"> <li>• Vérifiez votre chargeur</li> <li>• Vérifiez votre câble USB-C</li> </ul> <p>Si l'appareil ne charge toujours pas, contactez votre revendeur.</p>
Lorsque vous voulez connecter votre appareil en Bluetooth, il n'est pas détecté et n'apparaît pas dans la liste des appareils.	<ul style="list-style-type: none"> <li>• Vérifiez si le bluetooth est activé sur votre smartphone</li> <li>• Vérifiez si l'appareil n'est pas déjà connecté à un autre smartphone</li> <li>• Chargez l'appareil</li> </ul> <p>Si l'appareil ne charge toujours pas, contactez votre revendeur.</p>
Vous ne voyez pas la couleur de l'état de l'eau après avoir retourné le produit.	<ul style="list-style-type: none"> <li>• Essayez dans une zone plus sombre ou en créant une ombre avec votre main.</li> <li>• Chargez l'appareil</li> </ul>
Vous devez recharger l'appareil régulièrement	<ul style="list-style-type: none"> <li>• Vérifiez la qualité du signal Wi-Fi</li> <li>• Essayez de laisser l'appareil à un autre endroit de la piscine.</li> <li>• Installez un répéteur Wi-Fi à proximité de votre piscine</li> </ul>
Les données rapportées sont complètement en dehors de la plage	Vérifiez si la sonde est présente, si l'écrou est bien vissé et si le témoin de vissage est en place.
De la condensation apparaît à l'intérieur de la zone LED	C'est normal et cela n'affecte pas le fonctionnement du produit. La condensation disparaîtra après avoir correctement stocké le produit pendant plus de 6 jours.
Le produit ne se connecte pas au Wi-Fi	Approcher le produit du boîtier Wi-Fi.
Aucune mesure n'est requise lors de la première installation ni après l'hivernage.	Le capteur est trop sec. Laissez-le tremper dans l'eau pendant 24 heures, puis calibrez-le et vérifiez son bon fonctionnement.

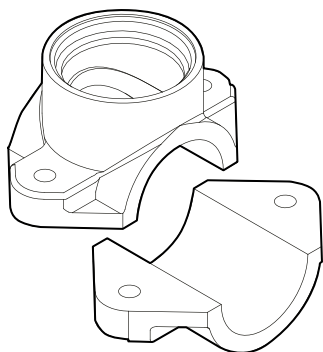
## 8. INTRODUCTION DE BLUE FIT 50

Blue Fit50 est un collier de serrage compatible avec Blue Connect. Il permet de fixer Blue Connect à la tuyauterie dans le local technique.



Blue Fit50 est un accessoire de Blue Connect. Il est vendu séparément.

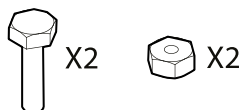
## 9. PRÉSENTATION DE BLUE FIT50



**Un collier de serrage**



**Un bouchon à vis**



**Deux vis et boulons**

### Précautions d'emploi

- Ne pas laisser Blue Connect sur Blue Fit50 en l'absence d'eau dans les canalisations.
- En cas de manipulation du circuit hydraulique (risque de coup de bélier), il est conseillé de retirer Blue Connect afin de ne pas endommager le produit.
- Veillez à créer un débit suffisant dans votre installation pour que Blue Connect puisse prendre des mesures.
- Placez toujours Blue Connect verticalement, la sonde vers le bas.
- Ne chargez pas Blue Connect lorsqu'il est installé sur Blue Fit50. Retirez-le avant de le charger.
- Ne chargez pas l'appareil en permanence. Les valeurs mesurées peuvent être erronées pendant la charge.

## 10. INSTALLATION DE BLUE FIT50

Veillez à toujours placer Blue Fit50 après le filtre (pour éviter d'endommager les sondes) et avant votre système d'injection de produit ou d'électrolyse (pour éviter d'altérer les mesures prises par Blue Connect).

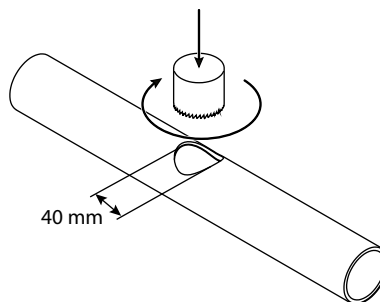
La pression d'eau maximale admissible pour l'installation dans la canalisation est de 300 kPa.

En cas de doute, demandez conseil à votre piscinier.

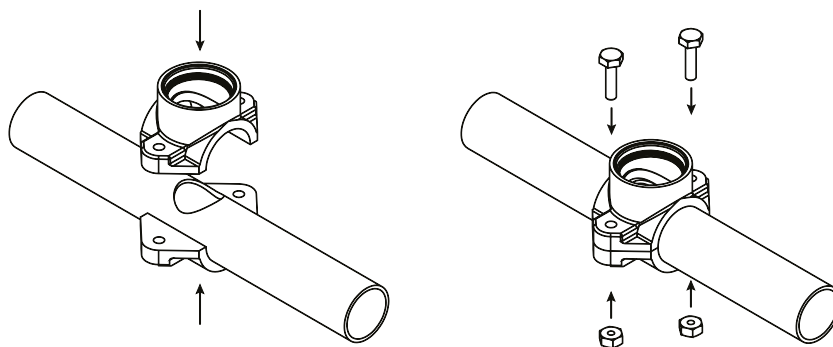
1. Arrêtez le système de filtration.
2. À l'aide d'une scie cloche de 40 mm de diamètre, percez un trou dans la partie supérieure du tuyau.



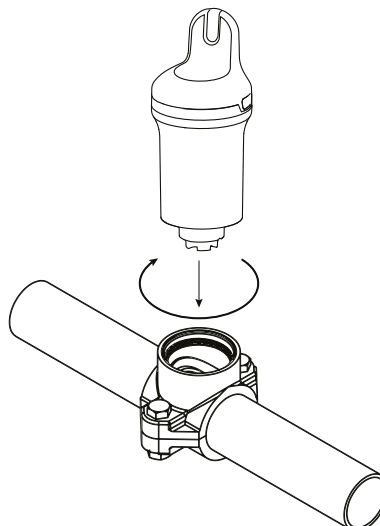
Blue Connect doit être en position verticale, la sonde vers le bas.



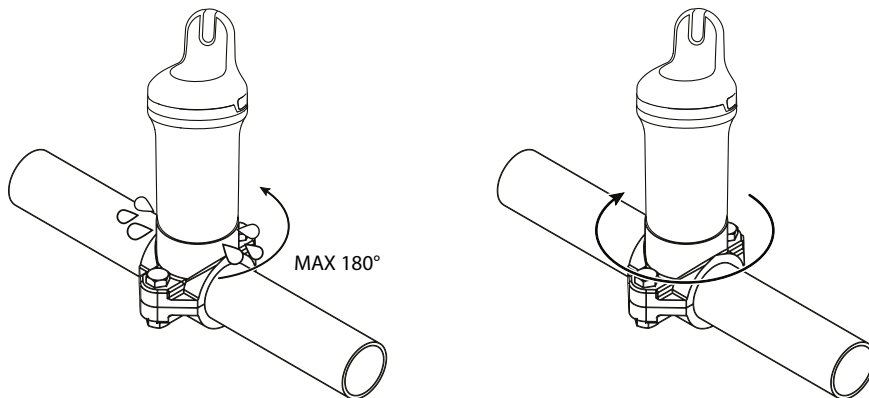
3. Placez les deux parties du collier de serrage de chaque côté du tuyau de manière à ce que les trous coïncident, et vissez le collier de serrage.



4. Vissez Blue Connect sur le collier de serrage. La lèvre supérieure de Blue Connect doit être parallèle au tuyau.



5. Mettez le système de filtration en marche.
6. Dévissez légèrement et lentement Blue Connect (maximum ½ tour) de façon à éliminer l'air. À partir du moment où l'eau commence à sortir, cela signifie qu'il n'y a plus d'air dans les tuyaux vous pouvez alors revisser fermement Blue Connect.



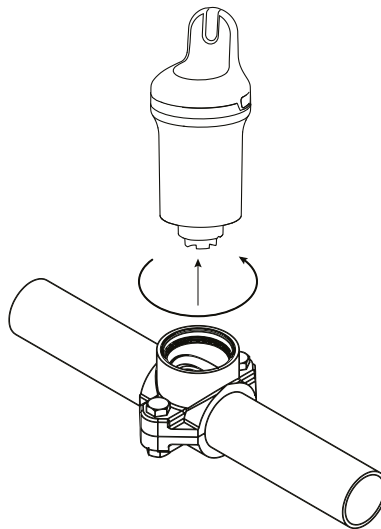
7. Dans l'application, sélectionnez le produit et cherchez l'option activer Blue Fit50 et suivez les instructions fournies.

## 11. HIVERNAGE DE BLUE FIT50

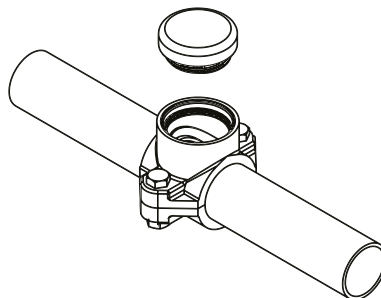
---

Suivez cette procédure lorsque vous vous préparez à ranger Blue Connect pour l'hiver.

1. Arrêtez la pompe de filtration, fermez les vannes et dévissez Blue Connect.



2. Scellez le collier de serrage et bouchon fournis avec Blue Fit50.



3. Suivez la procédure d'hivernage de Blue Connect (voir [Hivernage, page 31](#))

# ÍNDICE

1. PRESENTACIÓN DE BLUE CONNECT.....	38
Presentación general .....	38
2. DESCRIPCIÓN .....	39
3. INSTALACIÓN DE LA APLICACIÓN .....	40
Descargar la aplicación.....	40
4. INSTALACIÓN DE BLUE CONNECT.....	40
Carga .....	40
Emparejamiento con la aplicación .....	41
Instalación.....	42
5. LED DE ESTADO .....	43
6. MANTENIMIENTO .....	44
Calibración de la sonda de pH.....	44
Calibración de la sonda ORP .....	45
Sustitución de la sonda .....	46
Invernaje .....	48
7. RESOLUCIÓN DE PROBLEMAS .....	50
8. PRESENTACIÓN DE BLUE FIT 50.....	51
9. DESCRIPCIÓN DE BLUE FIT50 .....	51
Precauciones de uso .....	51
10. INSTALACIÓN DE BLUE FIT50.....	52
11. INVERNAJE DE BLUE FIT50 .....	53



**Reciclaje** Este símbolo requerido por la directiva europea RAEE 2012/19/UE (directiva sobre residuos de aparatos eléctricos y electrónicos) significa que no debe tirar el aparato a la basura. Hay que depositarlo en un contenedor adaptado de recogida selectiva para su reutilización, reciclaje o recuperación. Si contiene sustancias potencialmente peligrosas para el medio ambiente, estas deberán ser eliminadas o neutralizadas. Consulte con su distribuidor las modalidades de reciclaje.



- Antes de utilizar el aparato, es importante leer las advertencias de seguridad y la guía "Garantías" que se entregan con el mismo. De lo contrario, podrían lamentarse lesiones graves o mortales, daños materiales, daños materiales y se anularía la garantía.
- Conserve y facilite estos documentos para futuras consultas durante toda la vida útil del aparato.
- Queda prohibida la distribución o modificación de este documento de cualquier forma sin la autorización previa del fabricante.
- El fabricante desarrolla constantemente sus productos para mejorar su calidad. Nos reservamos el derecho de modificar total o parcialmente las características de nuestros productos o el contenido de este documento sin previo aviso.

## 1. PRESENTACIÓN DE BLUE CONNECT

---

Blue Connect mide continuamente los parámetros clave de su piscina (temperatura, pH, cloro, conductividad). También le informa de la temperatura exterior y del tiempo en función de su geolocalización. A continuación, los resultados de este análisis se le comunican mediante notificaciones en la aplicación Fluidra Pool (disponible en smartphone y tableta, compatible con Android™ e iOS). Si el dispositivo detecta que uno de los parámetros es incorrecto, recibirá una alerta e información sobre la acción correctiva a realizar para regular y estabilizar este parámetro y así mantener una calidad del agua sana y equilibrada.

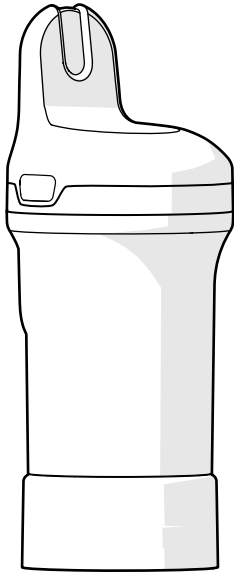
### Presentación general

Blue Connect mide:

- **Temperatura del agua** (°C): mide la temperatura del agua. Una temperatura elevada reduce la eficacia del cloro y favorece el desarrollo de microorganismos.
- **pH** (potencial de hidrógeno): mide el carácter ácido o básico del agua. El pH contribuye a la eficacia del desinfectante.
- **ORP/REDOX** (potencial de oxidación-reducción/ potencial redox): el ORP o REDOX mide el poder oxidante del agua en mV. Proporciona información sobre el poder desinfectante del agua.
- **Conductividad** (μS): mide la concentración de sales inorgánicas en el agua por la capacidad de esta última para conducir la electricidad (según el modelo).
- **Salinidad** (g/l): mide la concentración de sal disuelta en el agua (según modelo).

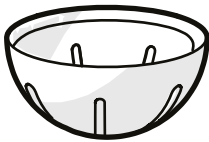
## 2. DESCRIPCIÓN

---



**Blue Connect:** se entrega con el pie de almacenamiento puesto para proteger la sonda durante el transporte. La sonda se sumerge en KCl (cloruro potásico saturado), lo que asegura su protección.

**Pie de almacenamiento:** se utiliza para transportar la sonda fuera del agua o para mantener los sensores sumergidos durante un almacenamiento prolongado (por ejemplo, durante la carga o en invierno).

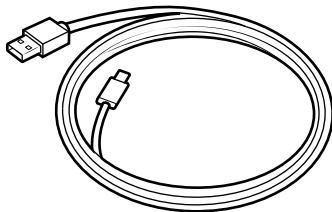


**Tapa del sensor:** debe ponerse siempre en el aparato antes de introducirlo en el agua. Protege los sensores de cualquier daño.



**Cordón:** sirve para fijar el dispositivo a un punto de sujeción (opcional).

Es posible que tenga que utilizar unos alicates pequeños para insertarlo en la abertura del lateral del producto.

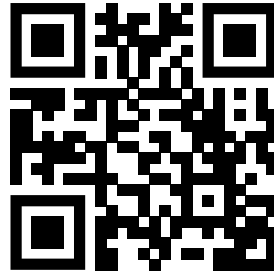


**Cable USB-C:** se utiliza para cargar

### 3. INSTALACIÓN DE LA APLICACIÓN

#### Descargar la aplicación

Descargue la aplicación Fluidra Pool y siga las instrucciones para crear una cuenta y configurar su piscina.



### 4. INSTALACIÓN DE BLUE CONNECT

Antes de poner el Blue Connect en marcha:

- Cargue el dispositivo
- Empareje el dispositivo con la aplicación Fluidra Pools
- Instale el tapón del sensor e introdúzcalo en la piscina

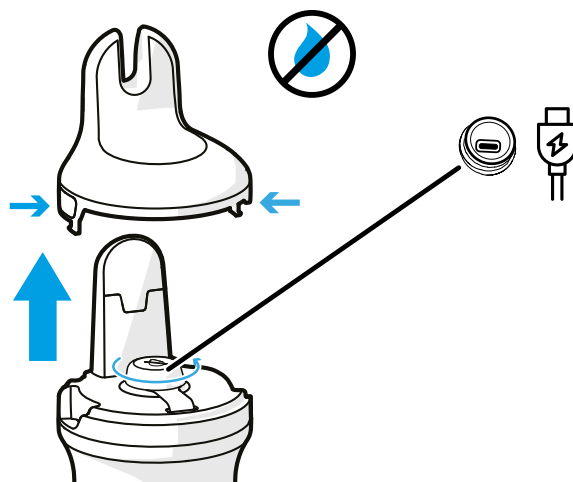
#### Carga



- Se debe cargar completamente el aparato antes de utilizarlo. Carguelo siempre en posición vertical utilizando el pie de almacenamiento lleno de solución KCL o agua.
- Durante la carga, los valores medidos (pH, ORP) pueden ser erróneos. No tenga en cuenta estos valores durante la carga.

Para cargar el Blue Connect:

1. **Seque bien el Blue Connect** y retire la tapa superior presionando en cada lado y tirando hacia arriba.
2. Afloje la tapa del puerto de carga y conecte el cable USB-C al dispositivo y a una fuente de alimentación para cargarlo.

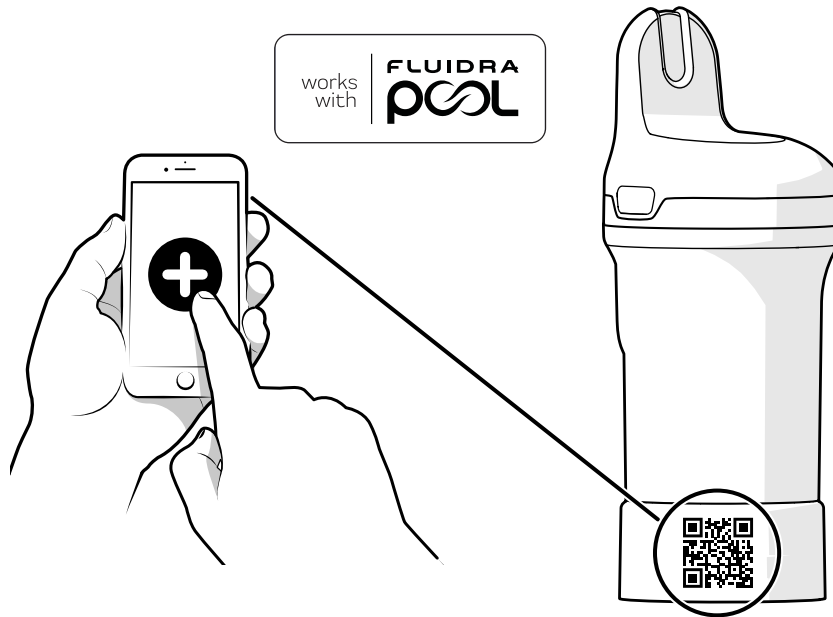


**El puerto de carga debe estar seco antes de la carga. Manipúlelo con las manos secas y en un lugar seco.**

3. Después de la carga, **cierre bien el puerto de carga** y vuelva a colocar la parte superior en Blue Connect.

## Emparejamiento con la aplicación

Abra la aplicación Fluidra Pool y haga clic en **Añadir equipo** para emparejar el Blue Connect. El código QR utilizado para el emparejamiento se encuentra en el pie de almacenamiento y debajo de la cubierta superior que se retira para la carga.

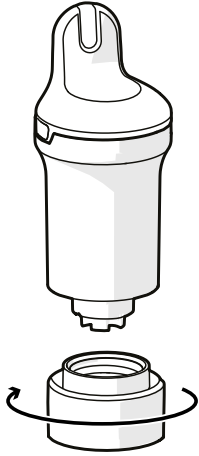


Una vez conectado a la aplicación, se le notificará si hay actualizaciones de firmware disponibles. Siga las instrucciones de la aplicación para actualizar su producto.

## Instalación

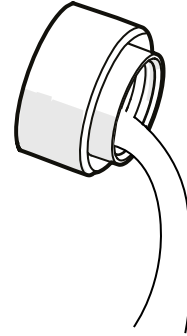
Antes de utilizarlo, debe retirar el pie de almacenamiento e instalar la tapa del sensor.

1. Coloque el Blue Connect en posición vertical y desenrosque el pie de almacenamiento.

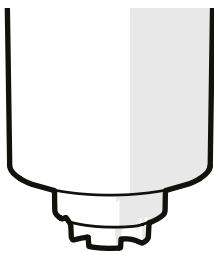


2. Vacíe el pie de almacenamiento y enjuáguelo con agua limpia. Guárdelo.

**NOTA:** guarde el pie de almacenamiento en un lugar seguro para su uso posterior.



3. Enjuague la sonda en agua limpia.

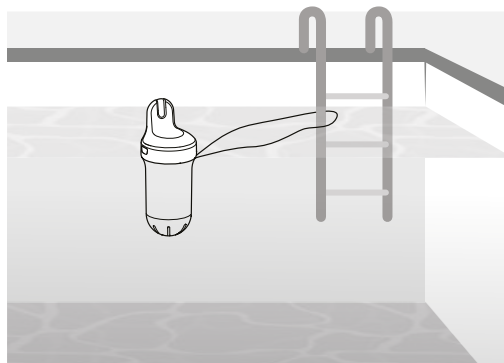


4. Enrosque el tapón del sensor para proteger las sondas.



5. Coloque el Blue Connect en la piscina y déjelo flotando en el agua. Si es necesario, puede asegurarlo fijándolo a un punto de sujeción con el cordón.

Asegúrese de que el dispositivo está en posición vertical y la parte superior fuera del agua para permitir una comunicación correcta.

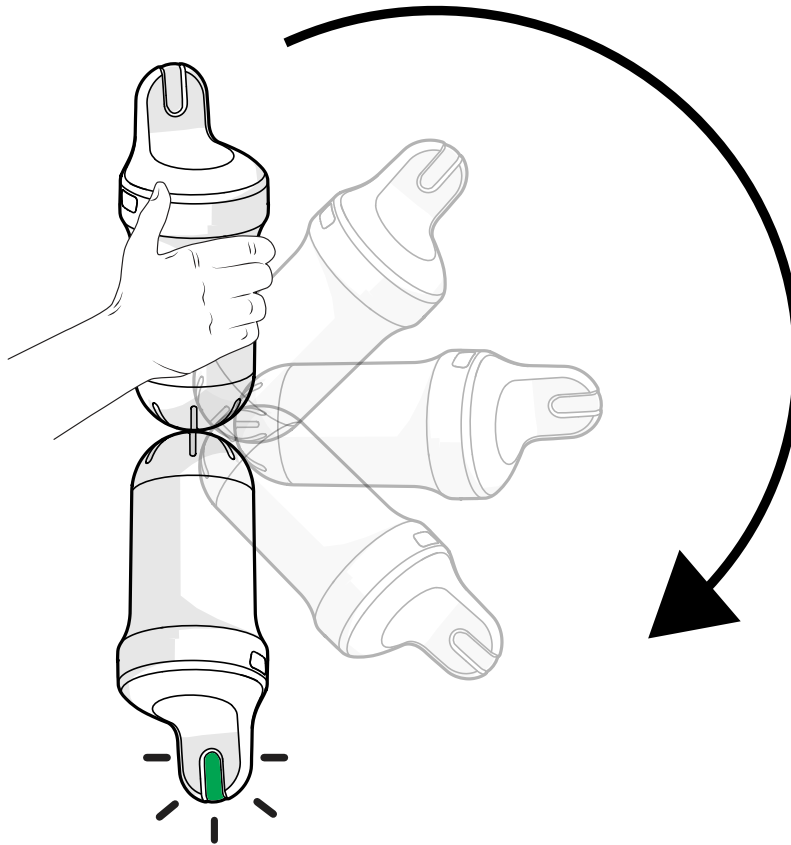


**En piscinas con cubierta, no se recomienda utilizar el cordón para fijar el Blue Connect al cerrar la cubierta. Si se conecta, el dispositivo puede sumergirse en el agua y perder la conectividad.**

## 5. LED DE ESTADO

El indicador LED del aparato proporciona información sobre la calidad del agua, el estado de la batería y la carga.

Si quiere comprobar el estado del agua o de la batería directamente en el dispositivo (en vez de mirar en la aplicación), sáquelo del agua y póngalo boca abajo como se muestra en la imagen. Debe mantenerlo al menos 1 segundo en la posición invertida. El Blue Connect emite un pitido y el LED se enciende (ver tabla de estado de los LED a continuación).



ESTADO	LED DE ESTADO / PITIDO	DESCRIPCIÓN
Cargando	Azul parpadeante lento / 1 pitido	Cargando
	Azul fijo	Cargado (todo)
No activado	Apagado	Dispositivo no activado
Comprobación rápida de estado (ver explicación más abajo)	3 parpadeos rojos / 3 pitidos	Batería baja
	Verde fijo 5 s / 1 pitido	Agua OK
	Naranja fijo 5 s / 1 pitido	Agua NOK (es necesario comprobar y corregir la calidad del agua. Para más información, consulte la aplicación Fluidra Pool.)
	Blanco fijo 5 s / 1 pitido	No hay agua, dispositivo encendido
Actualización del firmware	Parpadeo rápido en azul / 1 pitido	

## 6. MANTENIMIENTO

Todos los procedimientos de mantenimiento deben realizarse mediante la aplicación Fluidra Pool.

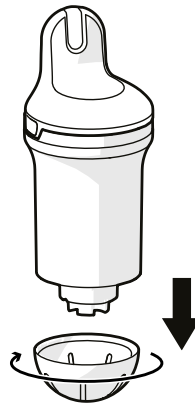


- Los productos de calibración son de un solo uso. Nunca los utilice dos veces. Póngase en contacto con su distribuidor para obtener uno nuevo.
- La calibración no debe realizarse durante la carga del aparato.

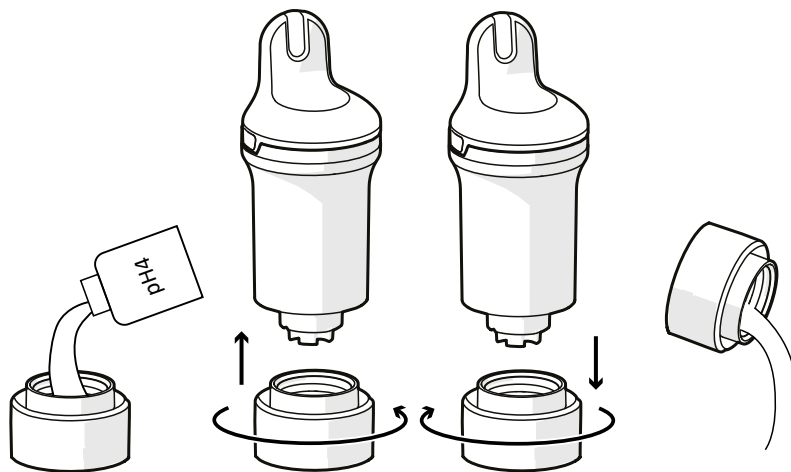
### Calibración de la sonda de pH

La calibración de la sonda de pH debe realizarse una vez por temporada. Es necesario un kit de calibración. Para obtener más información, póngase en contacto con su distribuidor local. No es necesario para la primera instalación.

1. Saque el dispositivo del agua, retire la tapa del sensor y enjuague la sonda en agua clara.



2. Enjuague el pie de almacenamiento con agua limpia y séquelo con un paño.
3. Asegúrese de que el Bluetooth® está activado en su smartphone. Permanezca cerca de su dispositivo durante todo el proceso de calibración.
4. En la aplicación, seleccione el producto, busque la sección de calibración de la sonda y siga los pasos guiados.
5. Ponga una solución de pH4 en el pie de almacenamiento y fíjela al dispositivo. Siga las instrucciones de la aplicación.
6. Una vez finalizada la medición de pH4, suelte el pie de almacenamiento y enjuague la sonda. Vacíe, enjuague con agua limpia y limpie el pie.



7. Repita el paso 5 con la solución de pH7.



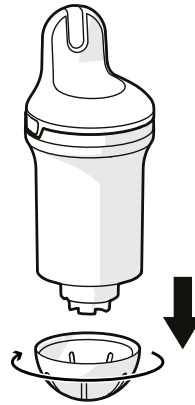
Limpie siempre la sonda y el pie de almacenamiento con agua clara después de utilizar un producto de calibración para evitar mezclas.

8. Valide la calibración.
9. Instale el tapón de la sonda en el Blue Connect y vuelva a introducirlo en la piscina.

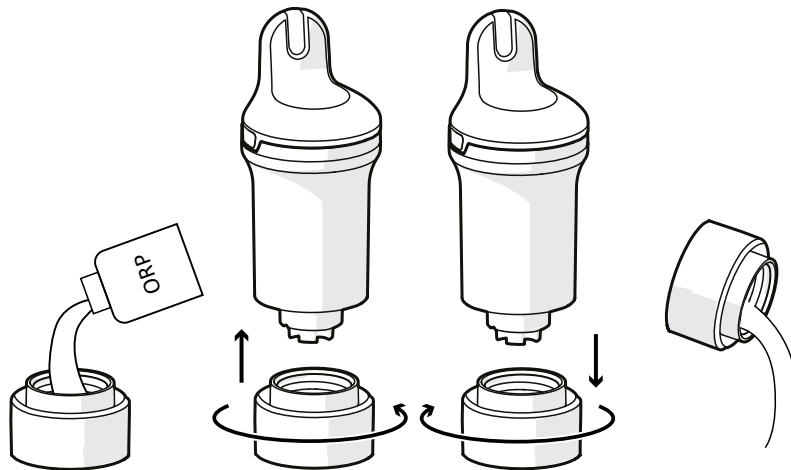
## Calibración de la sonda ORP

La calibración de la sonda ORP debe realizarse una vez por temporada. Es necesario un kit de calibración. Para obtener más información, póngase en contacto con su distribuidor local. No es necesario para la primera instalación.

1. Saque el dispositivo del agua, retire la tapa del sensor y enjuague la sonda en agua clara.



2. Enjuague el pie de almacenamiento con agua limpia y séquelo con un paño.
3. Asegúrese de que el Bluetooth® está activado en su smartphone. Permanezca cerca de su dispositivo durante todo el proceso de calibración.
4. En la aplicación, seleccione el producto, busque la sección de calibración de la sonda y siga los pasos guiados.
5. Ponga una solución ORP en el pie de almacenamiento y fíjela al dispositivo. Siga las instrucciones de la aplicación.
6. Una vez finalizada la medición de ORP, suelte el pie de almacenamiento y enjuague la sonda. Vacíe, enjuague con agua limpia y limpie el pie.



- Limpie siempre la sonda y el pie de almacenamiento con agua clara después de utilizar un producto de calibración para evitar mezclas.
- Después de calibrar el ORP/Redox, puede llevar un tiempo obtener mediciones correctas. Espere al menos 6 horas antes de realizar una medición en la piscina.

7. Valide la calibración.
8. Instale el tapón de la sonda en el Blue Connect y vuelva a introducirlo en la piscina.

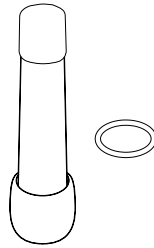
## Sustitución de la sonda

La sonda debe sustituirse aproximadamente cada dos años. Póngase en contacto con su distribuidor para obtener una sonda nueva.



- Para garantizar la máxima longevidad de la sonda, consérvela el mayor tiempo posible en un entorno húmedo. Si saca el aparato del agua, debe instalar el pie de almacenamiento con KCl (cloruro potásico saturado), pH4 o, como último recurso, agua de piscina.
- Un pH bajo (dentro de los parámetros correctos de la piscina) aumenta la vida útil de la sonda.
- Cuando cambie la sonda, asegúrese de que el producto no permanezca abierto durante demasiado tiempo, ya que el desecante puede absorber la humedad y liberarla en el producto una vez cerrado.

### Kit de sustitución de la sonda

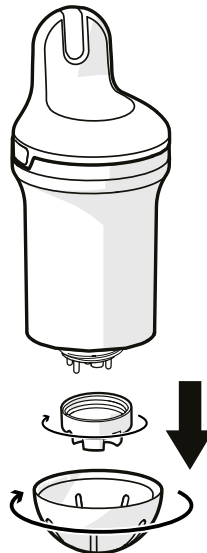


### Instalación



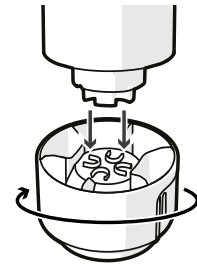
**Es muy recomendable realizar este procedimiento manteniendo el producto en posición vertical para que no entre agua en el dispositivo.**

1. En la aplicación, seleccione el producto, busque la sección de sustitución de la sonda y siga los pasos guiados.
2. Saque el Blue Connect del agua. Seque el dispositivo y comience el procedimiento en un lugar seco y limpio.
3. Retire la tapa del sensor y la cubierta de la sonda.

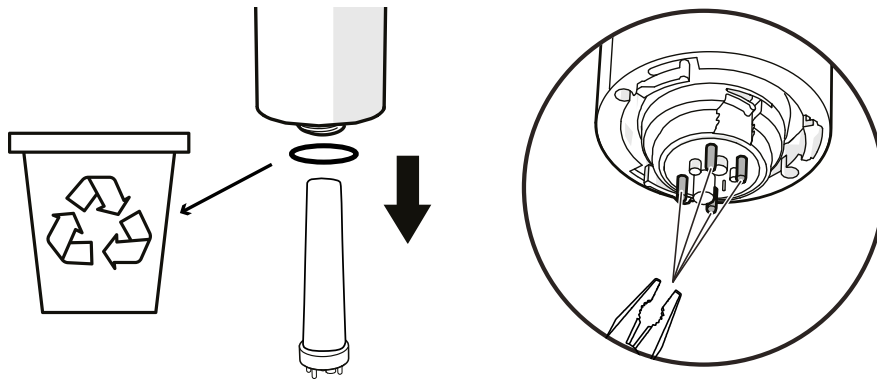




Si es necesario, puede utilizar la parte inferior del pie de almacenamiento para soltar la tapa de la sonda.

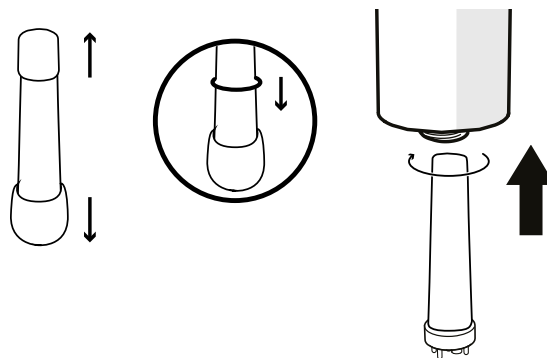


4. Tire con cuidado de las cuatro puntas de plástico de la sonda. Si es necesario, puede utilizar unos alicates para retirar con cuidado la sonda (ver zoom). Limpie los restos de agua y mantenga el dispositivo en posición vertical. Asegúrese de retirar el precinto y desecharlo (puede estar atascado en el interior).



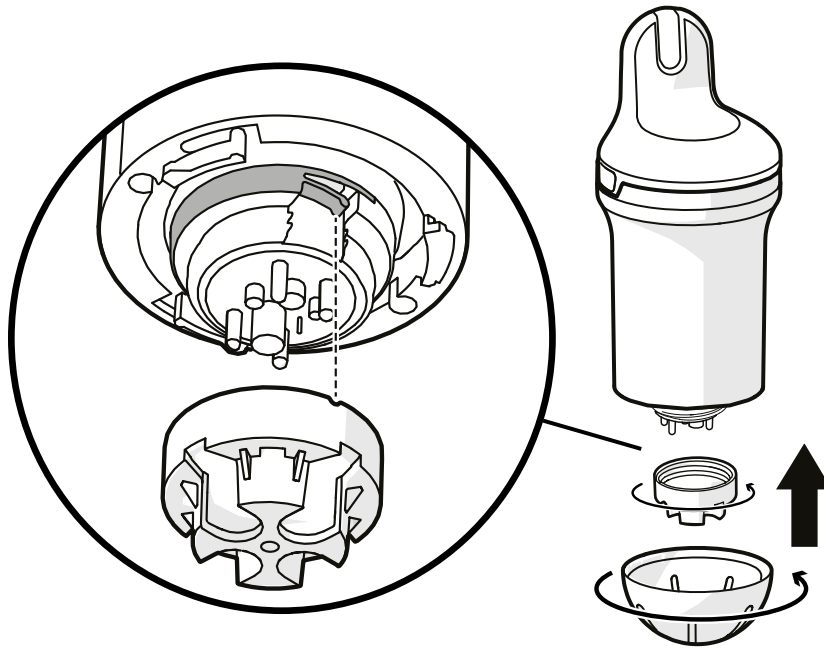
5. Escanee el código QR de la nueva sonda.

6. Retire la cubierta protectora de la nueva sonda. Coloque el nuevo precinto en la nueva sonda. Inserte la sonda y gírela hasta que esté bien colocada.

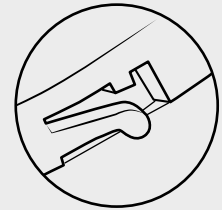


- Tenga cuidado de no dejar caer la sonda, ya que es muy frágil.
- No utilice ninguna herramienta y no toque las zonas de detección de la sonda durante la instalación para evitar dañarla.
- Estos pasos deben realizarse lo más rápidamente posible para evitar tener el aparato abierto durante demasiado tiempo.

7. Fije bien la tapa de la sonda en el aparato hasta que encaje en su sitio (ver zoom). Puede utilizar la parte inferior del pie de almacenamiento para apretarlo. A continuación, instale la tapa de la sonda y vuelva a colocar el Blue Connect en el agua.



La tapa de la sonda debe fijarse de manera que la pequeña lengüeta encaje en su sitio, tal y como se muestra en la imagen. De lo contrario, podría dañarse el aparato.



El sensor puede tardar unas horas en estabilizar sus parámetros tras su primera inmersión en la piscina.

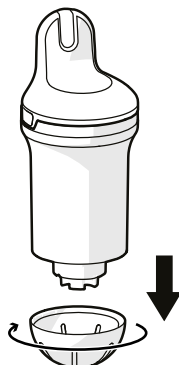
## Invernaje

Para mantener el aparato en buen estado de funcionamiento, debe almacenarlo adecuadamente para el invierno poniéndolo en modo Invierno. Asegúrese de que está completamente cargado antes de seguir el procedimiento que se indica a continuación.

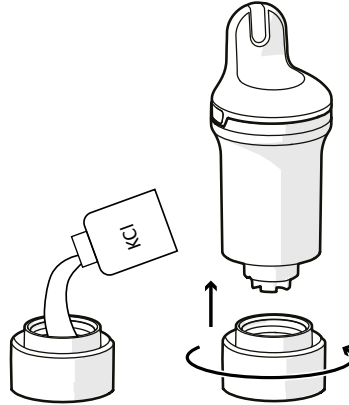
### Modo Invierno

Debe poner el aparato en modo Invierno antes de guardarlo para el invierno. **El modo Invierno no puede activarse si el dispositivo se está cargando.**

1. Saque el Blue Connect del agua. Retire la tapa del sensor.



2. Asegúrese de tener internet (Wi-Fi o 4G) y Bluetooth® activados en su smartphone. Permanece cerca del dispositivo durante todo el proceso de espera.
3. Ponga el dispositivo en modo Invierno: en la aplicación, seleccione el producto, busque el modo Invierno y siga los pasos guiados.
4. Enjuague el pie de almacenamiento con agua limpia y séquelo con un paño. Coloque KCl (cloruro potásico saturado) o pH4 (o como último recurso, agua) en el pie de almacenamiento y fíjelo bien.



El KCl presente en el pie de almacenamiento puede provocar la formación de sal aglomerada en la unión con el cuerpo del dispositivo, pero esto no es peligroso en ningún caso. Basta con enjuagar con agua clara.

5. Valide el modo Invierno y guarde el Blue Connect al abrigo de las heladas.

## Almacenamiento

Si necesita sacar el Blue Connect de la piscina durante más de una hora, instale el pie de almacenamiento con KCl (cloruro potásico saturado), pH4 o, como último recurso, agua de la piscina, ya que la sonda no debe dejarse seca.

## Reactivación tras el invernaje

Para reactivar Blue Connect tras el invernaje, basta con enchufarlo para cargar la batería. De este modo, el dispositivo se activa.

## 7. RESOLUCIÓN DE PROBLEMAS

PROBLEMA	SOLUCIÓN
Error de emparejamiento	No confunda letras y números (por ejemplo, B y 8, I y 1, etc.) en el código de acceso.
Las mediciones no son correctas	<ul style="list-style-type: none"> <li>• Compruebe la calibración del sensor</li> <li>• Una burbuja de aire puede falsear las mediciones. Mueva despacio el aparato para intentar eliminar las burbujas.</li> </ul>
Mediciones extrañas (pH y ORP)	Las burbujas en la sonda pueden ser la causa. Agite el dispositivo bajo el agua para eliminar las burbujas y vuelva a medir
Pone el dispositivo boca abajo para comprobar el estado y no ocurre nada	<ul style="list-style-type: none"> <li>• Dé la vuelta despacio al dispositivo; asegúrese de mantenerlo boca abajo durante al menos 1 segundo</li> <li>• Enchúfelo para cargarlo</li> </ul> <p>Si el LED sigue sin encenderse, póngase en contacto con su distribuidor</p>
El aparato no se carga (no hay LED azul)	<ul style="list-style-type: none"> <li>• Compruebe el cargador</li> <li>• Compruebe el cable USB-C</li> </ul> <p>Si el dispositivo sigue sin cargarse, póngase en contacto con su distribuidor</p>
Cuando quiere conectar su dispositivo a Bluetooth®, su dispositivo no se detecta y no aparece en la lista de dispositivos	<ul style="list-style-type: none"> <li>• Compruebe si el Bluetooth® está activo en su smartphone</li> <li>• Compruebe si el dispositivo no está ya conectado a otro smartphone</li> <li>• Cargue el dispositivo</li> </ul> <p>Si el dispositivo sigue sin cargarse, póngase en contacto con su distribuidor</p>
No se ve el color del estado del agua después de dar la vuelta al producto	<ul style="list-style-type: none"> <li>• Compruébelo en una zona más oscura o creando una sombra con la mano</li> <li>• Cargue el dispositivo</li> </ul>
Debe recargar el dispositivo a menudo	<ul style="list-style-type: none"> <li>• Compruebe la calidad de la señal Wi-Fi</li> <li>• Pruebe a dejar el dispositivo en otro lugar de la piscina</li> <li>• Instale un repetidor Wi-Fi cerca de la piscina</li> </ul>
Los datos notificados están fuera de rango	Compruebe si la sonda está presente, si la tuerca está bien enroscada y si el testigo de enroscado está en su sitio
Aparece condensación dentro del área del LED	Esto es normal y no afecta el funcionamiento del producto. La condensación desaparecerá después de almacenar correctamente el producto durante más de 6 días.
El producto no se conecta al Wi-Fi	Acerca el producto al router del Wi-Fi.
No se realizan mediciones tras la primera instalación o después del invierno	El sensor está demasiado seco. Deje el sensor en el agua durante 24 horas, luego calibre y compruebe si el sensor funciona bien.

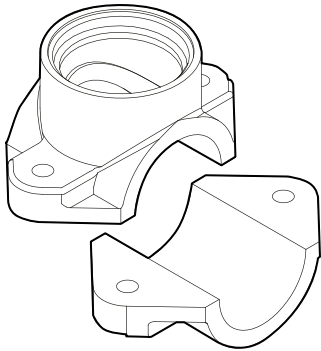
## 8. PRESENTACIÓN DE BLUE FIT 50

Blue Fit50 es una abrazadera de manguera compatible con Blue Connect. Permite instalar Blue Connect en las tuberías del local técnico.



Blue Fit50 es un accesorio de Blue Connect. Se vende por separado.

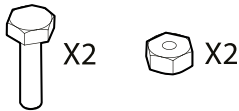
## 9. DESCRIPCIÓN DE BLUE FIT50



**Una abrazadera**



**Un tapón roscado**



**Dos tornillos y pernos**

### Precauciones de uso

- No deje el Blue Connect en el Blue Fit50 cuando no haya agua en las tuberías.
- En caso de manipulación en el circuito hidráulico (riesgo de golpe de ariete), es aconsejable retirar el Blue Connect para no dañar el producto.
- Asegúrese de crear un caudal suficiente en su instalación para que el Blue Connect pueda tomar medidas.
- Coloque siempre el Blue Connect en posición vertical con la sonda hacia abajo.
- No cargue el Blue Connect cuando esté instalado en el Blue Fit50. Retírelo antes de cargarlo.
- No cargue el aparato de forma permanente. Los valores medidos pueden ser erróneos durante la carga.

## 10. INSTALACIÓN DE BLUE FIT50

Asegúrese de colocar siempre el Blue Fit50 después del filtro (para no dañar las sondas) y antes de su sistema de inyección de producto o electrólisis (para no alterar las medidas tomadas por Blue Connect).

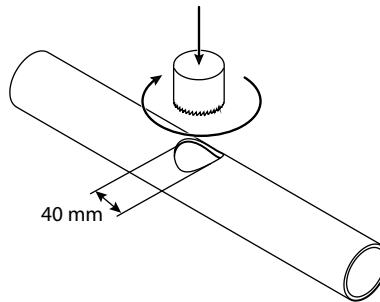
La presión de agua máxima admisible para la instalación en la tubería es de 300 kPa.

En caso de duda, pida consejo a su especialista en piscinas.

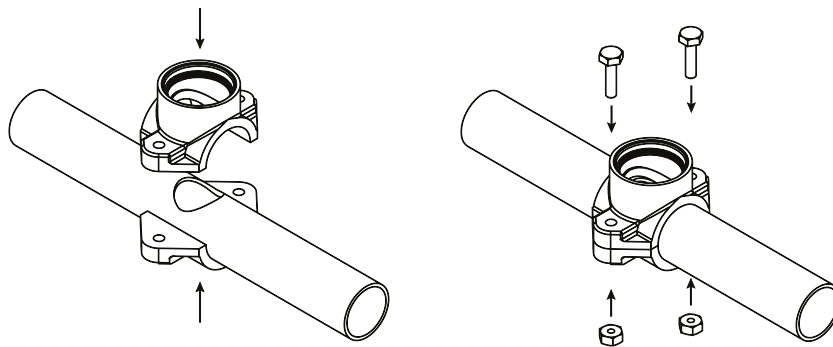
1. Apague el sistema de filtración.
2. Con una sierra perforadora de 40 mm de diámetro, perforo un agujero en la parte superior de la tubería.



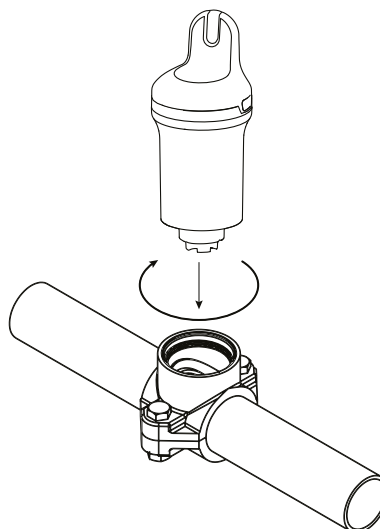
Blue Connect debe estar en posición vertical, con la sonda hacia abajo.



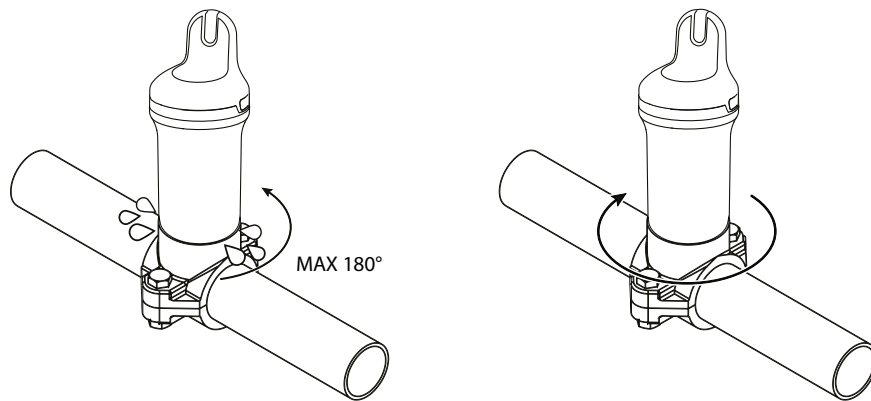
3. Coloque ambas partes de la abrazadera de la manguera a cada lado de la tubería, de modo que los orificios coincidan, y enrosque la abrazadera de la manguera.



4. Enrosque Blue Connect en la abrazadera de la manguera. El labio superior de Blue Connect debe quedar paralelo a la tubería.



5. Encienda el sistema de filtración.
6. Suelte con cuidado y despacio el Blue Connect (½ vuelta como máximo) para eliminar el aire. En cuanto salga el agua, significa que no queda aire en las tuberías y podrá volver a enroscar con fuerza Blue Connect.

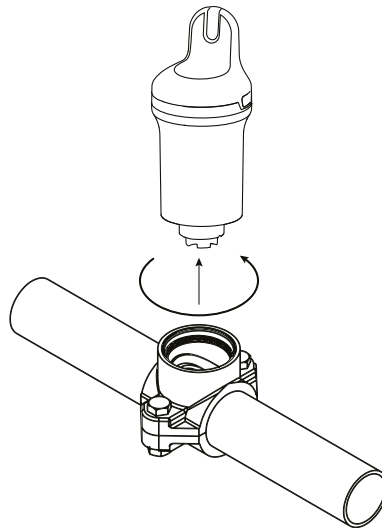


7. En la aplicación, seleccione el producto, busque la opción activar Blue Fit50 y siga las instrucciones.

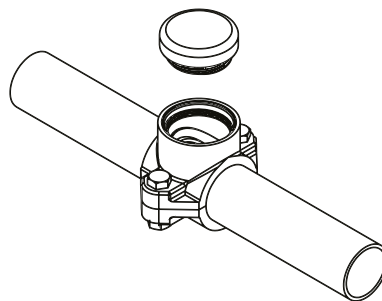
## 11. INVERNAJE DE BLUE FIT50

Siga este procedimiento cuando se disponga a guardar el Blue Connect para el invierno.

1. Apague la bomba del filtro, cierre las válvulas y afloje el Blue Connect.



2. Cierre bien la abrazadera de la manguera con el tapón suministrado en la caja Blue Fit50.



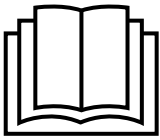
3. Siga el procedimiento de invernaje para el Blue Connect (ver [Invernaje, página 48](#)).

# INHALT

1. EINFÜHRUNG IN BLUE CONNECT .....	55
Übersicht.....	55
2. BESCHREIBUNG .....	56
3. INSTALLATION DER APP .....	57
App herunterladen.....	57
4. INSTALLATION DES BLUE CONNECT.....	57
Laden .....	57
Kopplung mit der App .....	58
Installieren .....	59
5. STATUS-LED .....	60
6. WARTUNG .....	61
Kalibrierung der pH-Sonde.....	61
Kalibrierung der ORP-Sonde .....	62
Austausch der Sonde .....	63
Einwinterung.....	65
7. FEHLERBEHEBUNG .....	67
8. EINFÜHRUNG IN BLUE FIT 50.....	68
9. BESCHREIBUNG DES BLUE FIT50 .....	68
Vorsichtsmaßnahmen für den Gebrauch .....	68
10. INSTALLATION DES BLUE FIT50.....	69
11. EINWINTERUNG DES BLUE FIT50 .....	70



**Recycling** Dieses Symbol gemäß der WEEE-Richtlinie 2012/19/EU (Elektro- und Elektronik-Altgeräte) bedeutet, dass Sie Ihr Gerät nicht mit dem Haushaltsmüll entsorgen dürfen. Es muss getrennt gesammelt werden, damit es wiederverwendet, recycelt oder verwertet werden kann. Wenn es potenziell umweltgefährdende Stoffe enthält, müssen diese entsorgt oder neutralisiert werden. Ihr Händler kann Sie über die Recyclingbedingungen informieren.



- Vor der Verwendung des Geräts ist es wichtig, die Sicherheitshinweise und das mit dem Produkt gelieferte Garantieheft zu lesen. Andernfalls kann es zu schweren oder tödlichen Verletzungen sowie zu Sachschäden kommen, und der Garantieanspruch verfällt.
- Diese Dokumente sollten während der gesamten Nutzungsdauer des Geräts aufbewahrt und weitergegeben werden, um sie später einsehen zu können.
- Die Weitergabe oder Veränderung dieses Dokuments in irgendeiner Form ist ohne vorherige Genehmigung durch den Hersteller verboten.
- Der Hersteller entwickelt seine Produkte ständig weiter, um die Qualität zu verbessern. Der Hersteller behält sich das Recht vor, die Eigenschaften der Produkte oder den Inhalt dieses Dokuments ohne Vorankündigung ganz oder teilweise zu ändern.

## 1. EINFÜHRUNG IN BLUE CONNECT

---

Der Blue Connect misst kontinuierlich die wichtigsten Parameter Ihres Schwimmbeckens (Temperatur, pH-Wert, Chlor, Leitfähigkeit). Es informiert Sie auch über die Außentemperatur und das Wetter basierend auf Ihrem geografischen Standort. Die Ergebnisse dieser Analyse werden Ihnen dann über Benachrichtigungen in der Fluidra Pool App (verfügbar auf Smartphones und Tablets, kompatibel mit Android™ und iOS) mitgeteilt. Wenn das Gerät feststellt, dass einer der Parameter nicht korrekt ist, erhalten Sie eine Warnmeldung und Informationen zu den durchzuführenden Korrekturmaßnahmen, um diesen Parameter zu regulieren und zu stabilisieren und so eine gesunde und ausgewogene Wasserqualität zu gewährleisten.

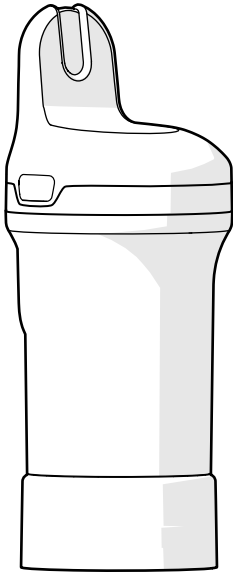
### Übersicht

Messungen mit Blue Connect:

- **Wassertemperatur** (°C): Misst die Wassertemperatur. Eine erhöhte Temperatur verringert die Wirksamkeit von Chlor und fördert die Entwicklung von Mikroorganismen.
- **pH** (Wasserstoffpotenzial): Misst den sauren oder basischen Charakter des Wassers. Der pH-Wert trägt zur Wirksamkeit des Desinfektionsmittels bei.
- **ORP/REDOX** (Oxidations-Reduktions-Potenzial/Redoxpotenzial): Das ORP oder REDOX misst die Oxidationskraft des Wassers in mV. Es liefert Informationen über die desinfizierende Wirkung von Wasser.
- **Leitfähigkeit** (µS): Misst die Konzentration anorganischer Salze im Wasser anhand der Fähigkeit des Wassers, Elektrizität zu leiten (je nach Modell).
- **Salinität** (g/L): Misst die Konzentration des im Wasser gelösten Salzes (je nach Modell).

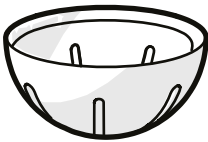
## 2. BESCHREIBUNG

---



**Blue Connect** - Wird mit dem Aufbewahrungsfuß geliefert, um die Sonde während des Transports zu schützen. Die Sonde ist zum Schutz in gesättigtes Kaliumchlorid (KCl) getaucht.

**Aufbewahrungsfuß** - Dient zum Transport der Sonde aus dem Wasser oder zum Eintauchen der Sensoren während einer längeren Lagerung (z. B. beim Laden oder im Winter).

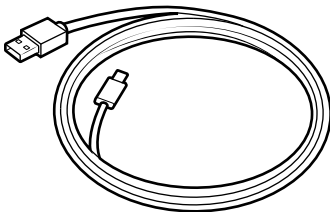


**Sensorkappe** - Muss immer am Gerät angebracht werden, bevor es in Wasser getaucht wird. Sie schützt die Sensoren vor Schäden.



**Schnur** - Dient zur Befestigung des Geräts an einem Befestigungspunkt (optional).

Möglicherweise müssen Sie eine kleine Zange verwenden, um sie in die Öffnung an der Seite des Produkts einzuführen.

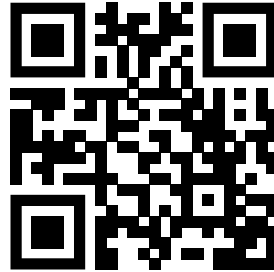


**USB-C-Kabel** - Zum Aufladen

### 3. INSTALLATION DER APP

#### App herunterladen

Laden Sie die Fluidra Pool App herunter und befolgen Sie die Anweisungen, um ein Konto zu erstellen und Ihr Schwimmbecken einzurichten.



### 4. INSTALLATION DES BLUE CONNECT

Die folgenden Schritte sind erforderlich, um den Blue Connect zum Laufen zu bringen:

- Laden Sie das Gerät auf.
- Koppeln Sie das Gerät mit der Fluidra Pool App.
- Installieren Sie die Sensorkappe und legen Sie das Gerät in das Schwimmbecken.

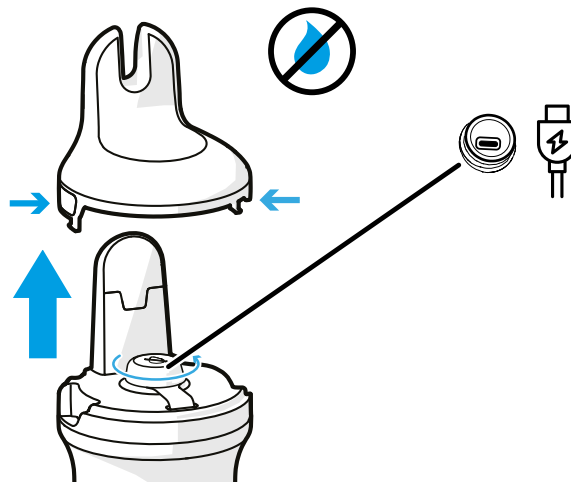
#### Laden



- Sie müssen das Gerät vor der Verwendung vollständig aufladen. Laden Sie es immer in aufrechter Position mit dem mit KCL-Lösung oder Wasser gefüllten Aufbewahrungsfuß auf.
- Während des Ladevorgangs können die Messwerte (pH, ORP) fehlerhaft sein. Diese Werte sind beim Laden nicht zu berücksichtigen.

Zum Laden des Blue Connect:

1. **Trocknen Sie den Blue Connect sorgfältig** und entfernen Sie dann die obere Abdeckung, indem Sie auf jede Seite drücken und nach oben ziehen.
2. Schrauben Sie die Kappe des Ladeanschlusses ab und schließen Sie das USB-C-Kabel an das Gerät und an eine Stromquelle an, um es aufzuladen.



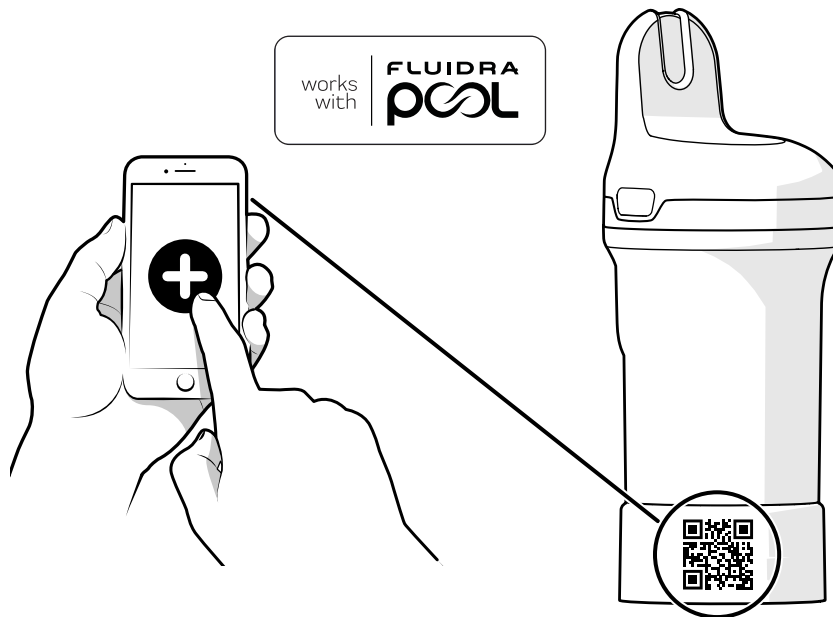


**Der Ladeanschluss muss vor dem Laden trocken sein. Mit trockenen Händen an einem trockenen Ort handhaben.**

3. **Verschließen Sie den Ladeanschluss** nach dem Ladevorgang fest und setzen Sie die obere Abdeckung wieder auf den Blue Connect auf.

## Kopplung mit der App

Öffnen Sie die Fluidra Pool App und klicken Sie auf **Geräte hinzufügen**, um den Blue Connect zu koppeln. Der für die Kopplung verwendete QR-Code befindet sich auf dem Aufbewahrungsfuß und unter der oberen Abdeckung, die zum Aufladen entfernt wird.

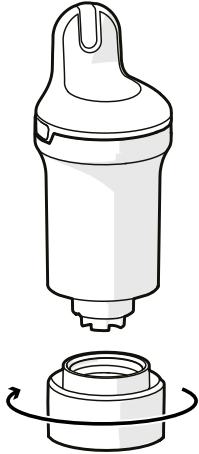


Sobald Sie mit der App verbunden sind, werden Sie in der App benachrichtigt, wenn Firmware-Updates verfügbar sind. Befolgen Sie die Anweisungen in der App, um Ihr Produkt zu aktualisieren.

## Installieren

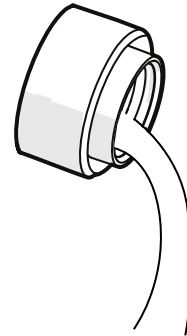
Vor der Verwendung müssen Sie den Aufbewahrungsfuß entfernen und die Sensorkappe installieren.

1. Stellen Sie den Blue Connect aufrecht und schrauben Sie den Aufbewahrungsfuß ab.

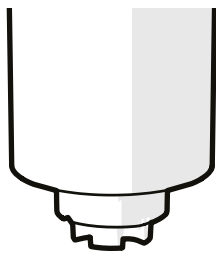


2. Leeren Sie den Aufbewahrungsfuß und spülen Sie ihn mit klarem Wasser aus. Stellen Sie ihn beiseite.

**HINWEIS:** Bewahren Sie den Aufbewahrungsfuß an einem sicheren Ort auf, um ihn später verwenden zu können.



3. Spülen Sie die Sonde mit klarem Wasser ab.

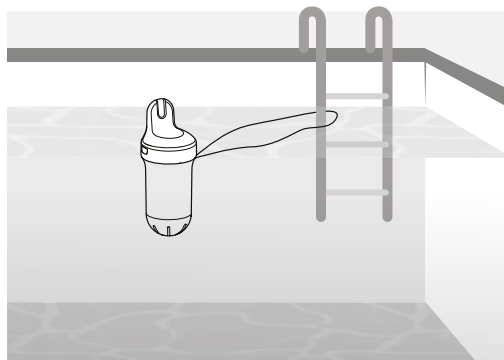


4. Schrauben Sie die Sensorkappe auf, um die Sonden zu schützen.



5. Legen Sie den Blue Connect in das Schwimmbecken und lassen Sie ihn im Wasser treiben. Bei Bedarf können Sie ihn sichern, indem Sie ihn mit der Schnur an einem Befestigungspunkt befestigen.

Achten Sie darauf, dass sich das Gerät in vertikaler Position befindet und die obere Abdeckung aus dem Wasser ragt, um eine korrekte Kommunikation zu ermöglichen.

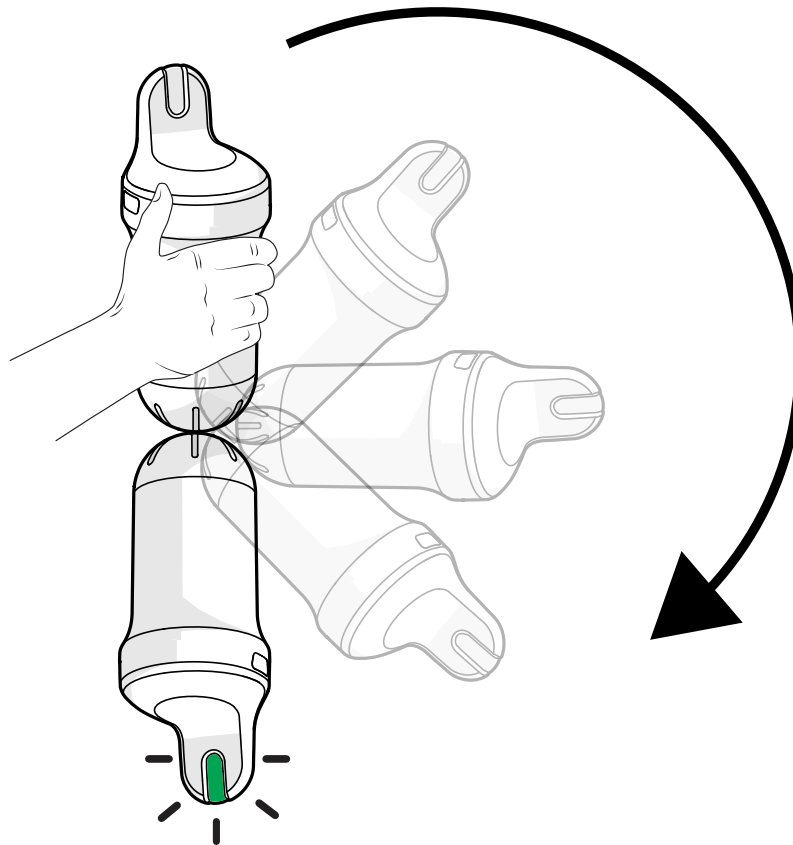


**Bei Schwimmbecken mit einer Schwimmbeckenabdeckung wird davon abgeraten, den Blue Connect beim Schließen der Schwimmbeckenabdeckung mit der Schnur zu befestigen. Wenn das Gerät befestigt ist, kann es unter Wasser geraten und die Verbindung verlieren.**

## 5. STATUS-LED

Die LED-Anzeige am Produkt gibt Auskunft über die Wasserqualität, den Batteriestatus und den Ladevorgang.

Wenn Sie den Wasser-/Batteriestatus direkt am Gerät überprüfen möchten (anstatt in der App nachzusehen), nehmen Sie es aus dem Wasser und drehen Sie es wie abgebildet auf den Kopf. Sie müssen es mindestens 1 Sekunde lang in der umgedrehten Position halten. Der Blue Connect gibt einen Signalton aus und die LED leuchtet auf (siehe LED-Statustabelle unten).



ZUSTAND	STATUS-LED / SIGNALTON	BESCHREIBUNG
Wird geladen	Blinkt langsam blau / 1 Signalton	Wird geladen
	Leuchtet dauerhaft blau	Geladen (voll)
Nicht aktiviert	Aus	Gerät nicht aktiviert
Schnelle Statusabfrage (Siehe Erklärung unten)	3 rote Blinkzeichen / 3 Signaltöne	Batterie schwach
	Leuchtet 5 s grün / 1 Signalton	Wasser OK
	Leuchtet 5 s orange / 1 Signalton	Wasser nicht in Ordnung (Wasserqualität muss überprüft und korrigiert werden. Weitere Informationen finden Sie in der Fluidra Pool App)
	Leuchtet 5 s weiß / 1 Signalton	Status kein Wasser, Gerät an
Firmware-Aktualisierung	Blinkt schnell blau / 1 Signalton	

## 6. WARTUNG

Alle Wartungsarbeiten müssen mit der Fluidra Pool App durchgeführt werden.

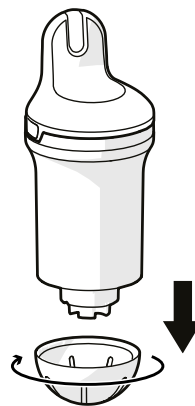


- Kalibrierprodukte sind nur für den einmaligen Gebrauch bestimmt. Verwenden Sie sie nie zweimal. Bitte wenden Sie sich an Ihren Händler, um ein neues Produkt zu erhalten.
- Die Kalibrierung sollte nicht während des Ladens des Geräts durchgeführt werden.

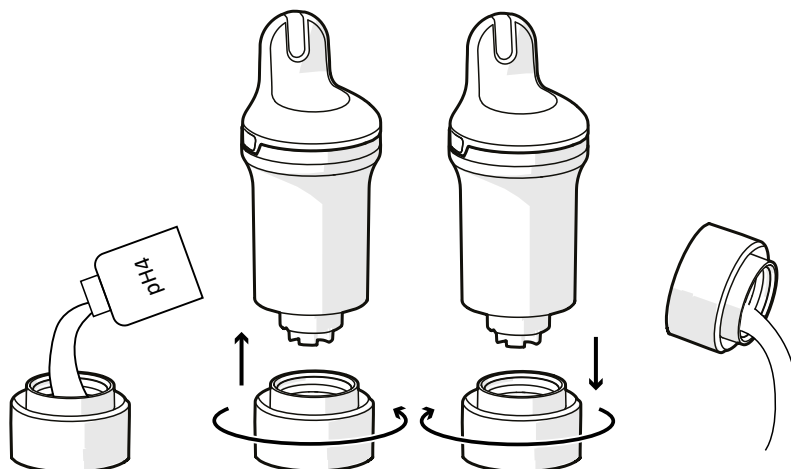
### Kalibrierung der pH-Sonde

Die Kalibrierung der pH-Sonde sollte einmal pro Saison durchgeführt werden. Ein Kalibrierungskit ist erforderlich – wenden Sie sich für weitere Informationen an Ihren örtlichen Händler. Bei der Erstinstallation ist dies nicht erforderlich.

1. Nehmen Sie das Gerät aus dem Wasser, entfernen Sie die Sensorkappe und spülen Sie die Sonde mit klarem Wasser ab.



2. Spülen Sie den Aufbewahrungsfuß mit klarem Wasser ab und wischen Sie ihn trocken.
3. Stellen Sie sicher, dass Bluetooth® auf Ihrem Smartphone aktiviert ist. Bleiben Sie während des gesamten Kalibrierungsvorgangs in der Nähe Ihres Geräts.
4. Wählen Sie in der App das Produkt aus, suchen Sie nach dem Abschnitt zur Sondenkalibrierung und befolgen Sie die Anweisungen.
5. Geben Sie eine pH4-Lösung in den Aufbewahrungsfuß und schrauben Sie ihn auf das Gerät. Befolgen Sie die Anweisungen in der App.
6. Sobald die pH4-Messung abgeschlossen ist, schrauben Sie den Aufbewahrungsfuß ab und spülen Sie die Sonde aus. Leeren, mit klarem Wasser ausspülen und den Fuß abwischen.



7. Wiederholen Sie Schritt 5 mit der pH7-Lösung.



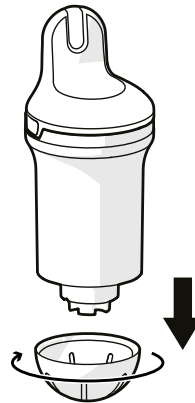
Reinigen Sie die Sonde und den Aufbewahrungsfuß nach der Verwendung eines Kalibrierungsprodukts immer mit klarem Wasser, um Vermischungen zu vermeiden.

8. Kalibrierung bestätigen.
9. Installieren Sie die Sensorkappe auf den Blue Connect und legen Sie das Gerät wieder in das Schwimmbecken.

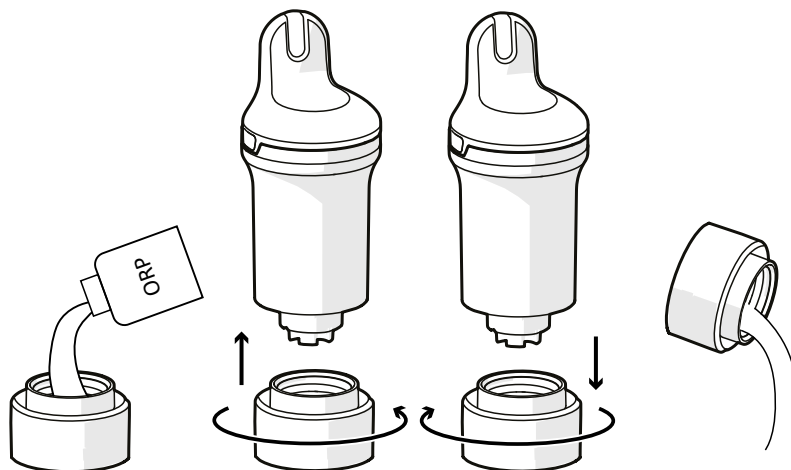
## Kalibrierung der ORP-Sonde

Die Kalibrierung der ORP-Sonde sollte einmal pro Saison durchgeführt werden. Ein Kalibrierungskit ist erforderlich – wenden Sie sich für weitere Informationen an Ihren örtlichen Händler. Bei der Erstinstallation ist dies nicht erforderlich.

1. Nehmen Sie das Gerät aus dem Wasser, entfernen Sie die Sensorkappe und spülen Sie die Sonde mit klarem Wasser ab.



2. Spülen Sie den Aufbewahrungsfuß mit klarem Wasser ab und wischen Sie ihn trocken.
3. Stellen Sie sicher, dass Bluetooth® auf Ihrem Smartphone aktiviert ist. Bleiben Sie während des gesamten Kalibrierungsvorgangs in der Nähe Ihres Geräts.
4. Wählen Sie in der App das Produkt aus, suchen Sie nach dem Abschnitt zur Sondenkalibrierung und befolgen Sie die Anweisungen.
5. Geben Sie eine ORP-Lösung in den Aufbewahrungsfuß und schrauben Sie ihn auf das Gerät. Befolgen Sie die Anweisungen in der App.
6. Sobald die ORP-Messung abgeschlossen ist, schrauben Sie den Aufbewahrungsfuß ab und spülen Sie die Sonde aus. Leeren, mit klarem Wasser ausspülen und den Fuß abwischen.



- Reinigen Sie die Sonde und den Aufbewahrungsfuß nach der Verwendung eines Kalibrierungsprodukts immer mit klarem Wasser, um Vermischungen zu vermeiden.
- Nach der Kalibrierung des ORP/Redox kann es eine Weile dauern, bis korrekte Messwerte geliefert werden. Warten Sie mindestens 6 Stunden, bevor Sie eine Messung im Schwimmbecken durchführen.

7. Kalibrierung bestätigen.
8. Installieren Sie die Sensorkappe auf den Blue Connect und legen Sie das Gerät wieder in das Schwimmbecken.

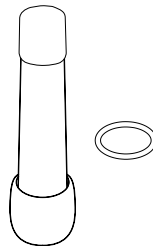
## Austausch der Sonde

Die Sonde muss etwa alle zwei Jahre ausgetauscht werden. Bitte wenden Sie sich an Ihren Händler, um eine neue Sonde zu erhalten.



- Um eine maximale Lebensdauer der Sonde zu gewährleisten, bewahren Sie sie so lange wie möglich in einer feuchten Umgebung auf. Wenn Sie das Gerät aus dem Wasser nehmen, müssen Sie den Aufbewahrungsfuß mit KCl (gesättigtem Kaliumchlorid), pH4 oder als letztem Mittel Poolwasser befüllen.
- Ein niedriger pH-Wert (innerhalb der korrekten Schwimmbeckenparameter) erhöht die Lebensdauer der Sonde.
- Achten Sie beim Wechseln der Sonde darauf, dass das Produkt nicht zu lange offen bleibt, da das Trockenmittel Feuchtigkeit aufnehmen kann, die es dann beim Schließen in das Produkt abgibt.

### Sondenaustauschkit

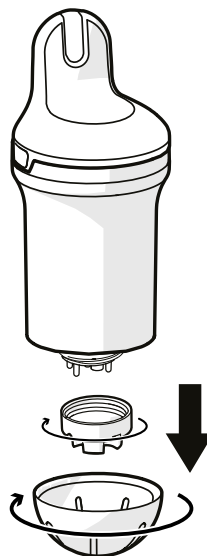


### Installation



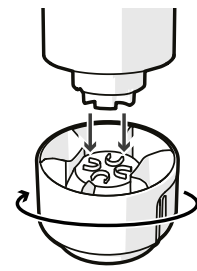
**Es wird dringend empfohlen, diesen Vorgang durchzuführen, während das Produkt senkrecht steht, damit kein Wasser in das Gerät eindringt.**

1. Wählen Sie in der App das Produkt aus, suchen Sie nach dem Abschnitt zum Austausch der Sonde und befolgen Sie die Anweisungen.
2. Nehmen Sie den Blue Connect aus dem Wasser. Wischen Sie das Gerät trocken und beginnen Sie den Vorgang an einem trockenen, sauberen Ort.
3. Entfernen Sie die Sensorkappe und die Sondenabdeckung.

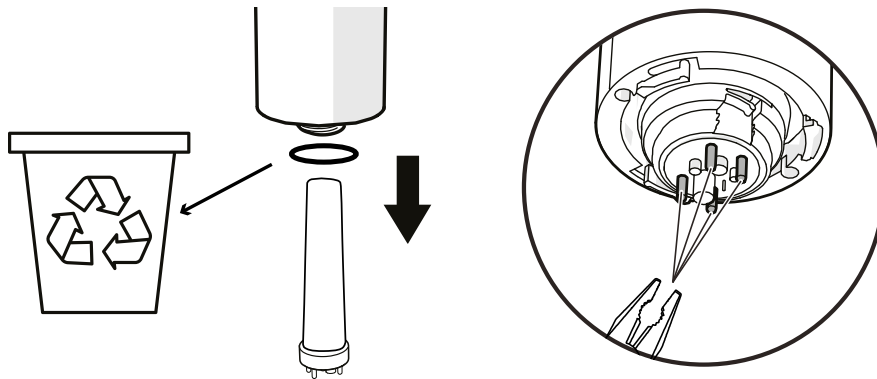




Bei Bedarf können Sie die Unterseite des Aufbewahrungsfußes verwenden, um die Sondenabdeckung abzuschrauben.

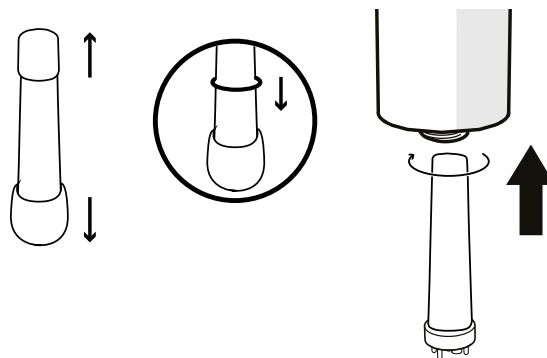


4. Ziehen Sie vorsichtig an den vier Plastikspitzen der Sonde. Bei Bedarf können Sie die Sonde vorsichtig mit einer Zange entfernen (siehe Detailansicht). Wischen Sie restliches Wasser ab und halten Sie das Gerät aufrecht. Entfernen Sie unbedingt die Dichtung und entsorgen Sie diese (sie kann innen festkleben).



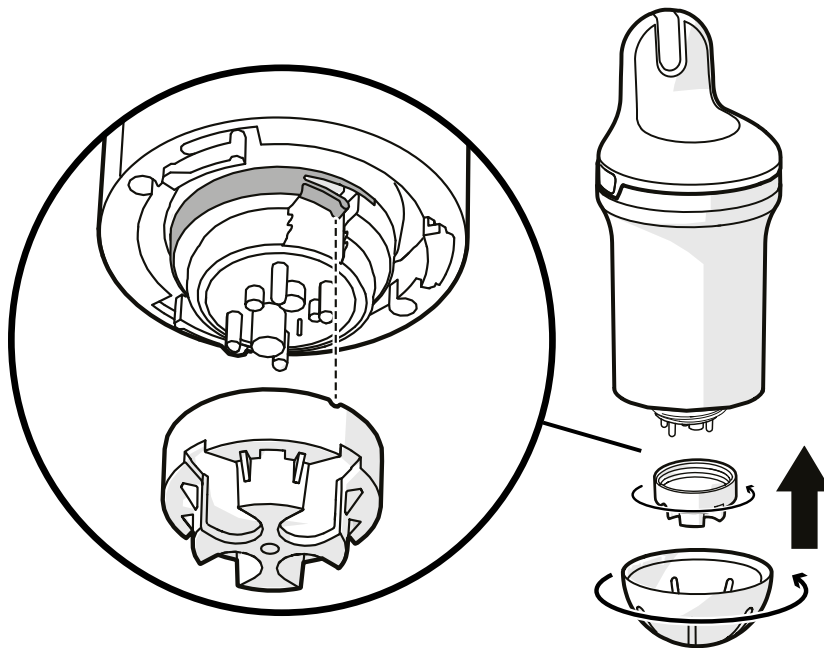
5. Scannen Sie den QR-Code der neuen Sonde.

6. Entfernen Sie die Schutzabdeckung von der neuen Sonde. Bringen Sie die neue Dichtung an der neuen Sonde an. Führen Sie die Sonde ein und drehen Sie sie, bis sie richtig sitzt.

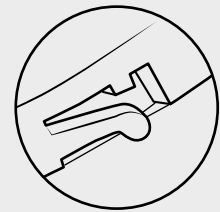


- Achten Sie darauf, die Sonde nicht fallen zu lassen, da sie sehr zerbrechlich ist.
- Verwenden Sie KEINE Werkzeuge und berühren Sie die Sensorbereiche der Sonde bei der Installation NICHT, um eine Beschädigung zu vermeiden.
- Diese Schritte sollten so schnell wie möglich durchgeführt werden, um zu vermeiden, dass das Gerät zu lange geöffnet bleibt.

7. Schrauben Sie die Sondenabdeckung fest auf das Gerät, bis sie einrastet (siehe Detailansicht). Sie können die Unterseite des Aufbewahrungsfußes verwenden, um sie festzuziehen. Setzen Sie dann die Sensorkappe auf und tauchen Sie den Blue Connect wieder ins Wasser.



**Die Sondenabdeckung muss so aufgeschraubt werden, dass die kleine Lasche wie abgebildet einrastet. Andernfalls kann das Produkt beschädigt werden.**



Es kann einige Stunden dauern, bis sich die Parameter des Sensors nach dem ersten Eintauchen in das Schwimmbecken stabilisiert haben.

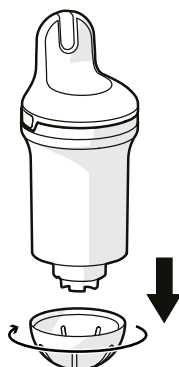
## Einwinterung

Um Ihr Gerät in gutem Betriebszustand zu halten, müssen Sie es für den Winter ordnungsgemäß lagern, indem Sie es in den Wintermodus versetzen. Stellen Sie sicher, dass es vollständig aufgeladen ist, bevor Sie den folgenden Vorgang durchführen.

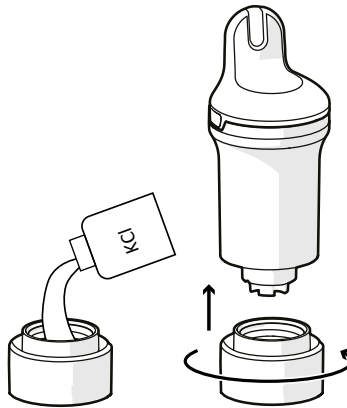
### Wintermodus

Sie müssen das Gerät in den Wintermodus versetzen, bevor Sie es für den Winter einlagern. **Der Wintermodus kann nicht aktiviert werden, wenn das Gerät aufgeladen wird.**

1. Entfernen Sie den Blue Connect aus dem Wasser. Entfernen Sie die Sensorkappe.



2. Vergewissern Sie sich, dass Internet (WLAN oder 4G) und Bluetooth® auf Ihrem Smartphone aktiviert sind. Bleiben Sie während des gesamten Standby-Vorgangs in der Nähe des Geräts.
3. Versetzen Sie das Gerät in den Wintermodus – wählen Sie in der App Ihr Produkt aus, suchen Sie nach dem Wintermodus und befolgen Sie die Anweisungen.
4. Spülen Sie den Aufbewahrungsfuß mit sauberem Wasser ab und wischen Sie ihn ab. Geben Sie KCl (gesättigtes Kaliumchlorid) oder pH4 (oder als letztes Mittel Wasser) in den Aufbewahrungsfuß und schrauben Sie ihn fest.



Das im Aufbewahrungsfuß enthaltene KCl kann an der Verbindungsstelle mit dem Gerätekörper zur Bildung von Salzagglomeraten führen, was jedoch in keinem Fall gefährlich ist. Einfach mit klarem Wasser abspülen.

5. Bestätigen Sie den Wintermodus und lagern Sie den Blue Connect frostsicher.

## Lagerung

Wenn Sie den Blue Connect länger als eine Stunde aus dem Schwimmbecken nehmen müssen, installieren Sie den Aufbewahrungsfuß mit KCl (gesättigtem Kaliumchlorid), pH4 oder als letztem Mittel Poolwasser, da die Sonde nicht trocken bleiben sollte.

## Nach der Einwinterung wieder aktivieren

Um den Blue Connect nach der Einwinterung wieder zu aktivieren, schließen Sie ihn einfach an, um die Batterie aufzuladen. Dadurch wird das Gerät aktiviert.

## 7. FEHLERBEHEBUNG

PROBLEM	LÖSUNG
Kopplung fehlgeschlagen.	Verwechseln Sie beim Zugangscode nicht Buchstaben und Zahlen (z. B. B und 8, l und 1 usw.).
Die Messungen sind nicht korrekt.	<ul style="list-style-type: none"> <li>Überprüfen Sie die Kalibrierung des Sensors.</li> <li>Eine Luftblase kann die Messungen verfälschen. Bewegen Sie das Gerät langsam, um zu versuchen, die Blasen zu entfernen.</li> </ul>
Ungewöhnliche Messwerte (pH und ORP)	Luftblasen an der Sonde können die Ursache sein. Schütteln Sie das Gerät unter Wasser, um die Luftblasen zu entfernen, und messen Sie erneut.
Sie drehen das Gerät auf den Kopf, um den Status zu überprüfen, aber es passiert nichts.	<ul style="list-style-type: none"> <li>Drehen Sie das Gerät langsam um und halten Sie es mindestens 1 Sekunde lang verkehrt herum.</li> <li>Schließen Sie es an, um es aufzuladen.</li> </ul> <p>Wenn die LED immer noch nicht leuchtet, wenden Sie sich an Ihren Händler.</p>
Das Gerät lädt nicht (keine blaue LED).	<ul style="list-style-type: none"> <li>Überprüfen Sie Ihr Ladegerät.</li> <li>Überprüfen Sie Ihr USB-C-Kabel.</li> </ul> <p>Wenn das Gerät immer noch nicht aufgeladen wird, wenden Sie sich an Ihren Händler.</p>
Wenn Sie Ihr Gerät über Bluetooth verbinden möchten, wird es nicht erkannt und erscheint nicht in der Geräteliste.	<ul style="list-style-type: none"> <li>Überprüfen Sie, ob Bluetooth auf Ihrem Smartphone aktiviert ist.</li> <li>Überprüfen Sie, ob das Gerät nicht bereits mit einem anderen Smartphone verbunden ist.</li> <li>Laden Sie das Gerät auf.</li> </ul> <p>Wenn das Gerät immer noch nicht aufgeladen wird, wenden Sie sich an Ihren Händler.</p>
Nach dem Umdrehen Ihres Produkts wird die Wasserstatusfarbe nicht angezeigt.	<ul style="list-style-type: none"> <li>Schauen Sie in einem dunkleren Bereich nach oder erzeugen Sie mit Ihrer Hand einen Schatten.</li> <li>Laden Sie das Gerät auf.</li> </ul>
Sie müssen das Gerät häufig aufladen.	<ul style="list-style-type: none"> <li>Überprüfen Sie die Qualität des WLAN-Signals.</li> <li>Versuchen Sie, das Gerät an einer anderen Stelle im Schwimmbecken zu platzieren.</li> <li>Installieren Sie einen WLAN-Repeater in der Nähe Ihres Schwimmbeckens.</li> </ul>
Die gemeldeten Daten liegen völlig außerhalb des Bereichs.	Überprüfen Sie, ob die Sonde vorhanden ist, ob die Mutter fest angezogen ist und ob der Schraubensicherungsring vorhanden ist.
Kondensation erscheint im LED-Bereich	Das ist normal und beeinträchtigt die Funktion des Produkts nicht. Die Kondensation verschwindet nach korrekter Lagerung des Produkts für mehr als 6 Tage.
Das Produkt verbindet sich nicht mit dem WLAN	Stellen Sie das Produkt näher an den WLAN-Router.
Keine Messung bei der Erstinstallation oder nach der Einwinterung	Der Sensor ist zu trocken. Lassen Sie den Sensor 24 Stunden lang im Wasser, kalibrieren Sie ihn anschließend und überprüfen Sie, ob er ordnungsgemäß funktioniert.

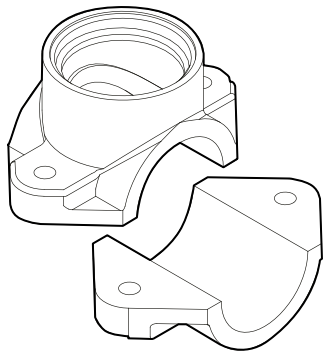
## 8. EINFÜHRUNG IN BLUE FIT 50

Blue Fit50 ist eine Schlauchklemme, die mit Blue Connect kompatibel ist. Damit können Sie Blue Connect an den Rohrleitungen im Technikraum installieren.



Blue Fit50 ist Teil des Blue Connect-Zubehörs. Es ist separat erhältlich.

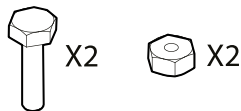
## 9. BESCHREIBUNG DES BLUE FIT50



**Eine Schlauchklemme**



**Ein Gewindeverschluss**



**Zwei Schrauben und Muttern**

### Vorsichtsmaßnahmen für den Gebrauch

- Lassen Sie den Blue Connect nicht auf dem Blue Fit50, wenn sich kein Wasser in den Rohren befindet.
- Bei Arbeiten am Hydraulikkreislauf (Gefahr von Wasserschlägen) sollte der Blue Connect entfernt werden, um das Produkt nicht zu beschädigen.
- Achten Sie darauf, dass in Ihrer Installation ein ausreichender Durchfluss vorhanden ist, damit Blue Connect Messungen durchführen kann.
- Platzieren Sie den Blue Connect immer vertikal mit der Sonde nach unten.
- Laden Sie den Blue Connect nicht auf, wenn er auf dem Blue Fit50 installiert ist. Entfernen Sie ihn vor dem Aufladen.
- Laden Sie das Gerät nicht dauerhaft auf. Die Messwerte können während des Ladevorgangs fehlerhaft sein.

## 10. INSTALLATION DES BLUE FIT50

Achten Sie darauf, den Blue Fit50 immer nach dem Filter zu platzieren (um eine Beschädigung der Sonden zu vermeiden) sowie vor Ihrem Produktinjektionssystem oder der Elektrolyse (um eine Veränderung der vom Blue Connect durchgeführten Messungen zu vermeiden).

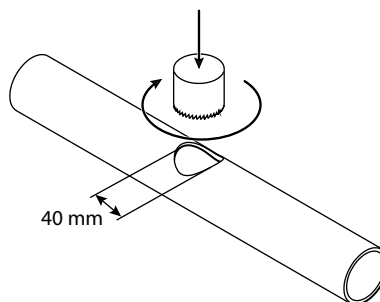
Der maximal zulässige Wasserdruck für die Installation in der Leitung beträgt 300 kPa.

Bei Bedarf fragen Sie im Zweifelsfall Ihren Händler um Rat.

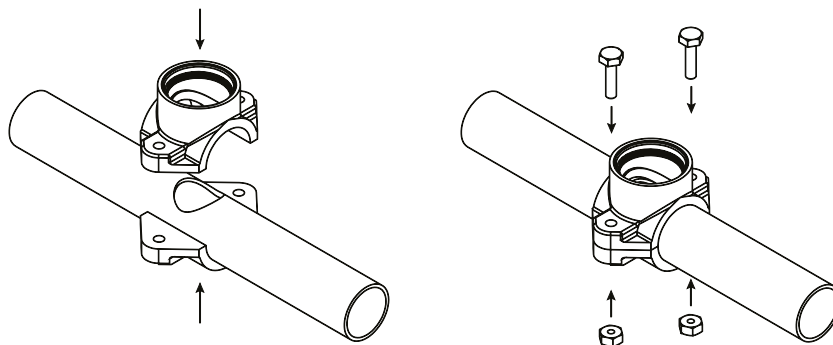
1. Schalten Sie das Filtersystem aus.
2. Bohren Sie mit einer Lochsäge mit 40 mm Durchmesser ein Loch in den oberen Teil des Rohrs.



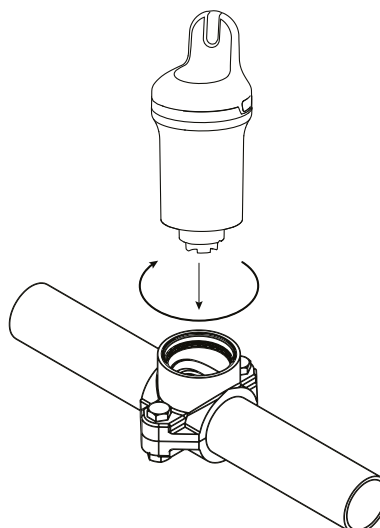
Der Blue Connect muss in vertikaler Position sein, mit der Sonde nach unten.



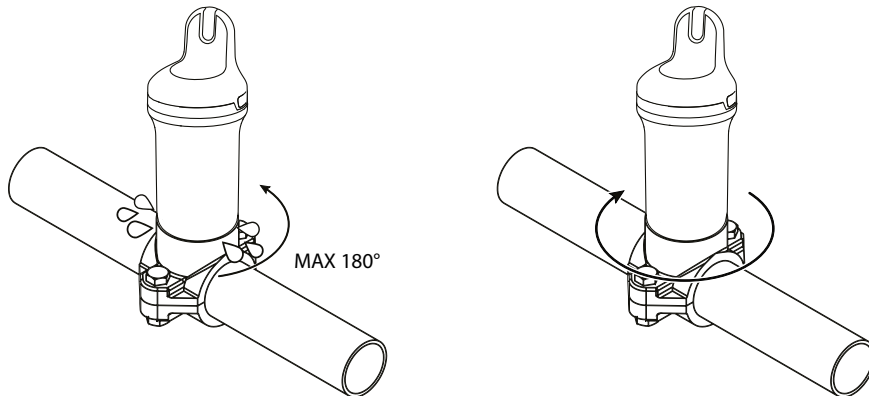
3. Platzieren Sie beide Teile der Schlauchklemme auf jeder Seite des Rohrs, sodass die Löcher übereinstimmen, und schrauben Sie die Schlauchklemme fest.



4. Schrauben Sie den Blue Connect an die Schlauchklemme. Die Oberkante des Blue Connect sollte parallel zum Rohr verlaufen.



5. Schalten Sie das Filtersystem ein.
6. Schrauben Sie den Blue Connect leicht und langsam ab (maximal eine halbe Umdrehung), um die Luft zu entfernen. Sobald Wasser austritt, bedeutet dies, dass sich keine Luft mehr in den Rohren befindet, und Sie können den Blue Connect wieder festschrauben.



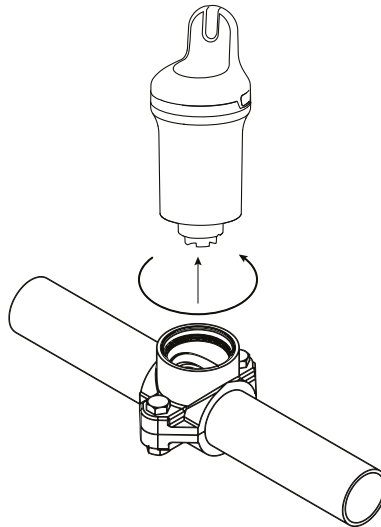
7. Wählen Sie in der App das Produkt aus, suchen Sie nach der Option „Blue Fit50 aktivieren“ und befolgen Sie die Anweisungen.

## 11. EINWINTERUNG DES BLUE FIT50

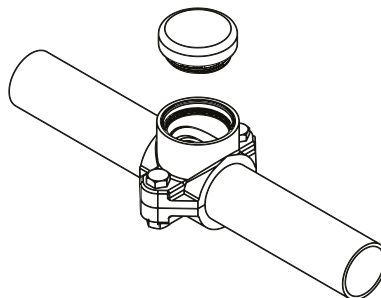
---

Gehen Sie wie folgt vor, wenn Sie den Blue Connect für den Winter einlagern möchten.

1. Schalten Sie die Filterpumpe aus, schließen Sie die Ventile und schrauben Sie den Blue Connect ab.



2. Dichten Sie die Schlauchklemme mit der Kappe ab, die im Lieferumfang des Blue Fit50 enthalten ist.



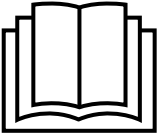
3. Folgen Sie der Anleitung für die Einwinterung des Blue Connect (siehe [Einwinterung, Seite 65](#)).

## SOMMARIO

1. PRESENTAZIONE DI BLUE CONNECT.....	72
Panoramica .....	72
2. DESCRIZIONE.....	73
3. INSTALLAZIONE DELL'APPLICAZIONE .....	74
Scaricare l'applicazione.....	74
4. INSTALLAZIONE DI BLUE CONNECT .....	74
Carica .....	74
Accoppiamento con l'applicazione.....	75
Installazione .....	76
5. LED DI STATO .....	77
6. MANUTENZIONE .....	78
Calibrazione sonda pH .....	78
Calibrazione sonda ORP .....	79
Sostituzione della sonda .....	80
Stoccaggio invernale .....	82
7. RISOLUZIONE DEI PROBLEMI .....	84
8. PRESENTAZIONE BLUE FIT 50 .....	85
9. DESCRIZIONE DI BLUE FIT50.....	85
Precauzioni d'uso .....	85
10. INSTALLAZIONE DI BLUE FIT50 .....	86
11. STOCCAGGIO INVERNALE DI BLUE FIT50 .....	87



**Riciclaggio** Questo simbolo è richiesto dalla Direttiva europea RAEE 2012/19/UE (direttiva su rifiuti di apparecchiature elettriche ed elettroniche) e indica che l'apparecchio non deve essere smaltito come rifiuto ordinario. Sarà destinato alla raccolta differenziata in vista del suo riutilizzo, riciclaggio o valorizzazione. Se contiene sostanze potenzialmente dannose per l'ambiente, saranno eliminate o neutralizzate. Informarsi presso il proprio rivenditore sulle modalità di riciclaggio.



- Prima di usare l'apparecchio è importante leggere le avvertenze di sicurezza e il libretto di garanzia forniti con il prodotto. Non farlo, può provocare lesioni gravi o mortali, danni materiali e invaliderà la garanzia.
- Conservare i presenti documenti per consultazione futura per tutta la durata di vita dell'apparecchio.
- La distribuzione o la modifica del presente documento sotto qualsiasi forma è vietata senza previa autorizzazione scritta del produttore.
- Il produttore sviluppa costantemente i suoi prodotti per migliorarne la qualità. Il produttore si riserva il diritto di modificare totalmente o parzialmente le caratteristiche del prodotto o il contenuto del presente documento senza preavviso.

## 1. PRESENTAZIONE DI BLUE CONNECT

---

Blue Connect misura costantemente i parametri chiave della piscina (temperatura, pH, cloro, conducibilità). Informa anche sulla temperatura esterna e sul tempo atmosferico utilizzando la geolocalizzazione. I risultati di questa analisi vengono quindi comunicati all'utente tramite notifiche sull'applicazione Fluidra Pool (disponibile per smartphone e tablet, compatibile con Android™ e iOS). Se il dispositivo rileva un parametro errato, l'utente riceverà un avviso e le informazioni sull'azione correttiva da eseguire per regolare e stabilizzare questo parametro per mantenere una qualità dell'acqua bilanciata.

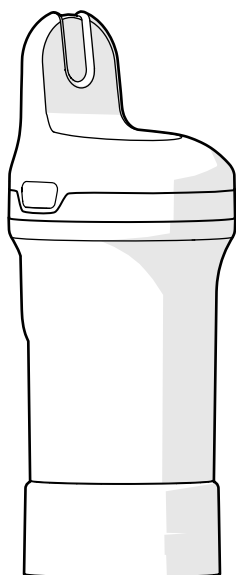
### Panoramica

Blue Connect misura:

- **Temperatura dell'acqua** (°C): Misura la temperatura dell'acqua. Una temperatura elevata riduce l'efficacia del cloro e favorisce lo sviluppo di microrganismi.
- **pH** (potenziale di idrogeno): Misura il carattere acido o basico dell'acqua. Il pH contribuisce all'efficacia del disinfettante.
- **ORP/REDOX** (potenziale di ossidazione-riduzione/ potenziale redox): L'ORP o REDOX misura il potere ossidante dell'acqua in mV. Fornisce informazioni sul potere disinfettante dell'acqua.
- **Conducibilità** (µS): Misura la concentrazione di sali inorganici nell'acqua grazie alla capacità di quest'ultima di condurre elettricità (a seconda del modello).
- **Salinità** (g/L): Misura la concentrazione di sale disciolto nell'acqua (a seconda del modello).

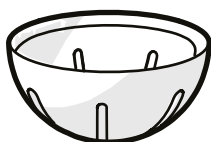
## 2. DESCRIZIONE

---



**Blue Connect** - Fornito con il tappo per lo stoccaggio montato per proteggere la sonda durante il trasporto. La sonda è immersa in KCl (cloruro di potassio saturo), che ne garantisce la protezione.

**Tappo per lo stoccaggio** - Usato per trasportare la sonda fuori dall'acqua o per mantenere immersi i sensori durante uno stoccaggio prolungato (ad esempio, durante la carica o in inverno).

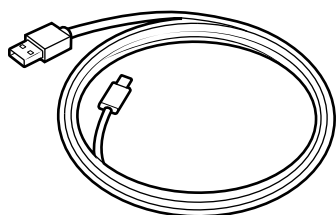


**Coperchio del sensore** - Deve sempre essere montato sul dispositivo prima di posizionarlo in acqua. Protegge i sensori da eventuali danni.



**Corda** - Usata per fissare il dispositivo a un punto di attacco (opzionale).

Può essere necessario usare un piccolo paio di pinze per inserirla nell'apertura sul lato del prodotto.



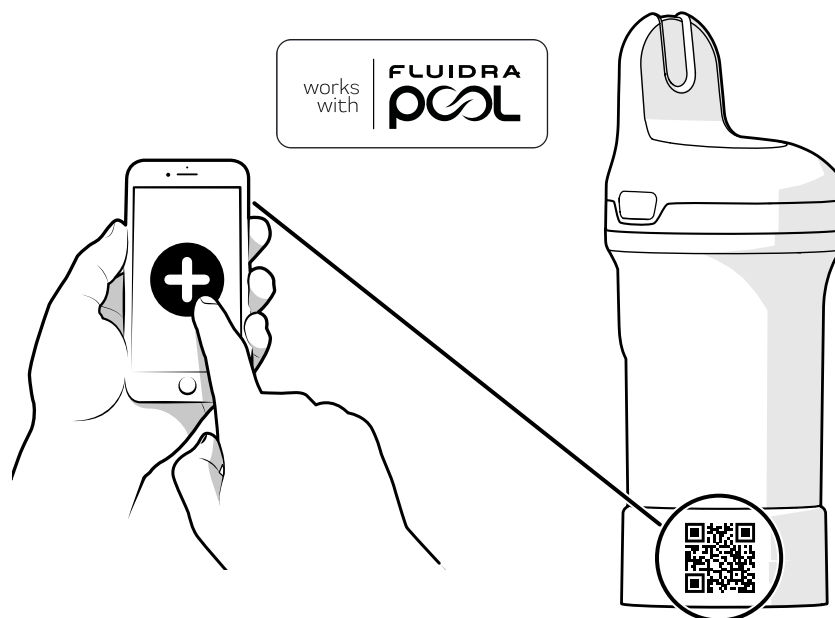
**Cavo USB-C** - Usato per la ricarica



3. Dopo la carica, **chiudere saldamente la presa di carica** e posizionare la parte posteriore superiore su Blue Connect

## Accoppiamento con l'applicazione

Aprire l'applicazione Fluidra Pool e fare clic su **Aggiungi dispositivo** per accoppiare Blue Connect. Il codice QR utilizzato per l'accoppiamento si trova sul tappo per lo stoccaggio e sotto il coperchio superiore che viene rimosso per la carica.

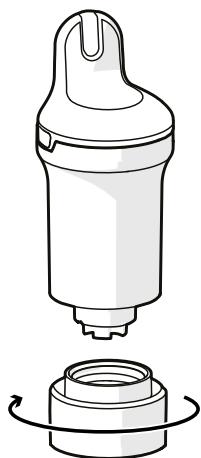


Una volta connesso all'applicazione, l'utente riceverà una notifica nell'applicazione della disponibilità di aggiornamenti firmware. Seguire le istruzioni nell'applicazione per aggiornare il prodotto.

## Installazione

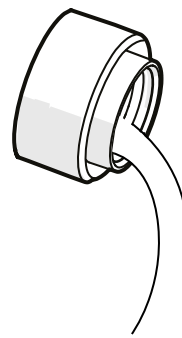
Prima dell'uso, è necessario rimuovere il tappo per lo stoccaggio e installare il coperchio del sensore.

1. Mettere Blue Connect in posizione verticale e svitare il tappo per lo stoccaggio.

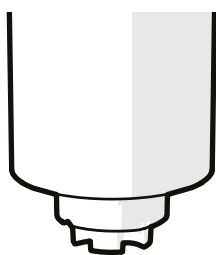


2. Svuotare il tappo per lo stoccaggio e sciacquarlo con acqua di rete. Mettere da parte.

**NOTA:** Conservare il tappo per lo stoccaggio in un posto sicuro per poterlo utilizzare in seguito.



3. Sciacquare la sonda con acqua di rete.

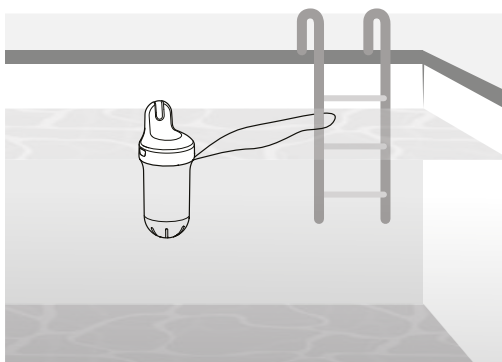


4. Avvitare il coperchio del sensore per proteggere le sonde.



5. Mettere Blue Connect nella piscina e lasciarlo galleggiare nell'acqua. Se necessario, è possibile assicurarlo fissandolo a un punto di attacco con la corda.

Assicurarsi che il dispositivo sia in posizione verticale e la parte superiore si trovi fuori dall'acqua per permettere una comunicazione corretta.

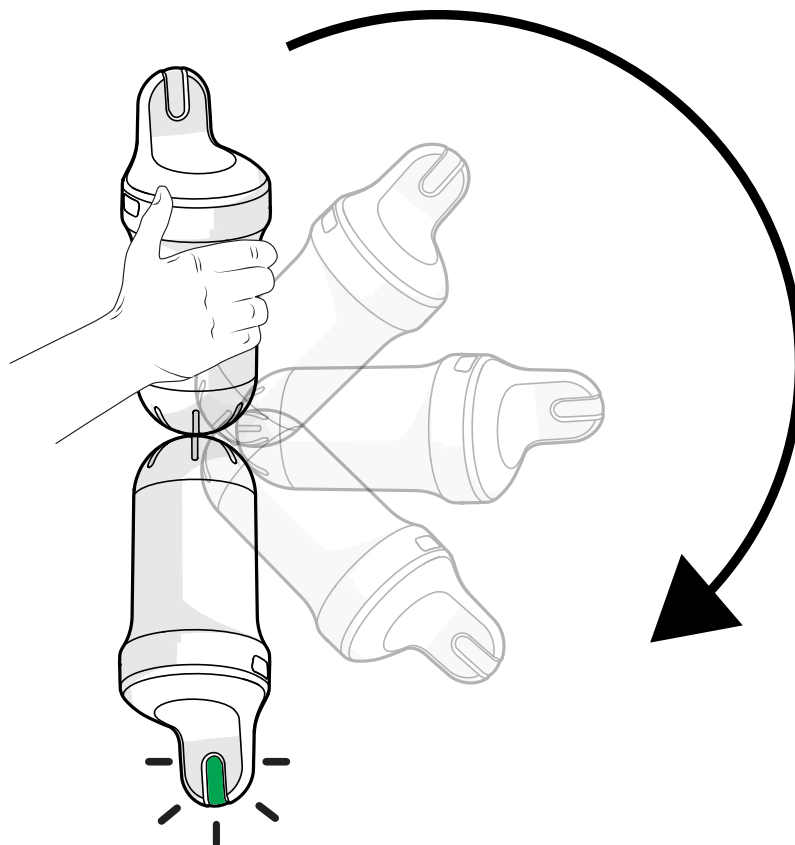


**Per le piscine con una copertura, non è consigliato utilizzare la corda per attaccare Blue Connect quando si chiude la copertura della piscina. Se rimane attaccato, il dispositivo può essere immerso nell'acqua e perdere la connettività.**

## 5. LED DI STATO

L'indicatore LED sul prodotto fornisce informazioni sulla qualità dell'acqua, lo stato della batteria e la carica.

Se si desidera verificare lo stato dell'acqua/batteria direttamente sul dispositivo (invece di consultare l'applicazione) estrarlo dall'acqua e capovolgerlo come mostrato. Va tenuto capovolto per almeno 1 secondo. Blue Connect emette un beep e il LED si illumina (vedere la tabella dello stato del LED sotto).



STATO	LED DI STATO / BEEP	DESCRIZIONE
In carica	Lampeggio lento blu /1 beep	In carica
	Blu fisso	Carico (completa)
Non attivato	Off	Dispositivo non attivato
Controllo rapido stato (Vedere spiegazione sotto)	3 lampeggi rossi / 3 beep	Batteria bassa
	Verde fisso 5 sec / 1 bip	Acqua OK
	Aranzone fisso 5 sec / 1 beep	Acqua non ok (la qualità dell'acqua deve essere controllata e corretta. Consultare l'app Fluidra Pool per maggiori informazioni.)
	Bianco fisso 5 sec / 1 beep	Nessuno stato acqua, dispositivo acceso
Aggiornamento firmware	Lampeggio veloce blu /1 beep	

## 6. MANUTENZIONE

Tutte le procedure di manutenzione devono essere fatte utilizzando l'applicazione Fluidra Pool.

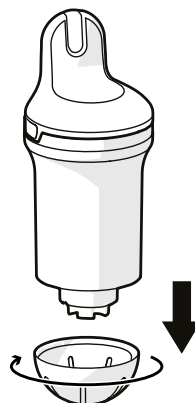


- I prodotti di calibrazione sono monouso. Non usarli mai due volte. Rivolgersi al rivenditore per acquistarne uno nuovo.
- La calibrazione non deve essere effettuata quando l'apparecchio è in carica.

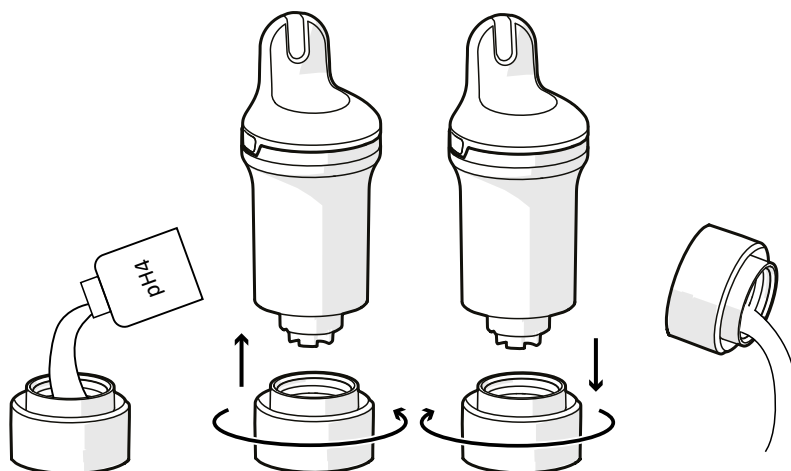
### Calibrazione sonda pH

La calibrazione della sonda pH deve essere eseguita una volta a stagione. È necessario un kit di calibrazione- rivolgersi al rivenditore locale per maggiori informazioni. Non è necessario per la prima installazione.

1. Estrarre il dispositivo dall'acqua, rimuovere il coperchio del sensore e sciacquare la sonda in acqua di rete.



2. Sciacquare il tappo per lo stoccaggio con acqua di rete e asciugarlo.
3. Accertarsi che il Bluetooth® sia attivato sullo smartphone. Rimanere vicini al dispositivo per tutto il processo di calibrazione.
4. Nell'applicazione selezionare il prodotto, cercare la sezione calibrazione della sonda e seguire i passaggi guidati.
5. Mettere una soluzione pH4 nel tappo per lo stoccaggio e avvitarlo sul dispositivo. Seguire le istruzioni nell'applicazione.
6. Dopo aver ultimato la misurazione del pH, svitare il tappo per lo stoccaggio e sciacquare la sonda. Svuotare, sciacquare con acqua di rete e asciugare il tappo per lo stoccaggio.



7. Ripetere il passaggio 5 utilizzando la soluzione pH7.



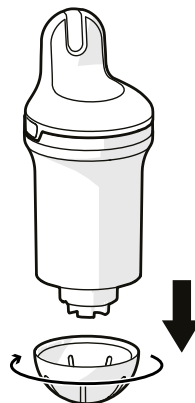
Pulire sempre la sonda e il tappo per lo stoccaggio con acqua di rete dopo aver usato un prodotto di calibrazione per evitare che si mischino.

8. Convalidare la calibrazione.
9. Installare il coperchio del sensore su Blue Connect e rimetterlo nella piscina.

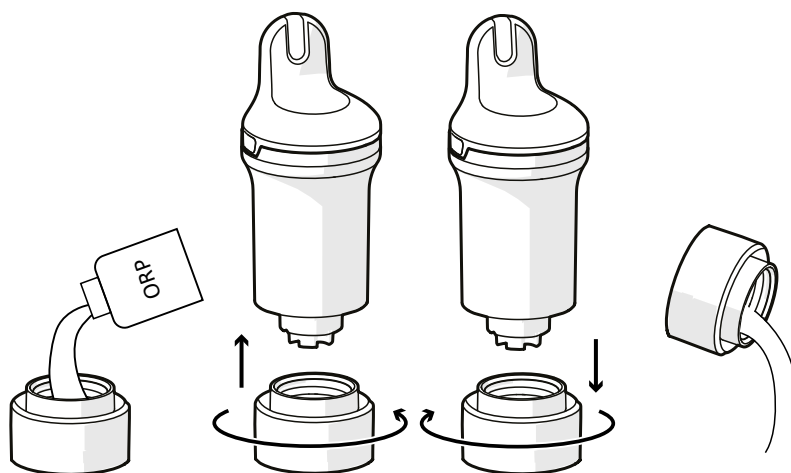
## Calibrazione sonda ORP

La calibrazione della sonda ORP deve essere eseguita una volta a stagione. È necessario un kit di calibrazione- rivolgersi al rivenditore locale per maggiori informazioni. Non è necessario per la prima installazione.

1. Estrarre il dispositivo dall'acqua, rimuovere il coperchio del sensore e sciacquare la sonda in acqua di rete.



2. Sciacquare il tappo per lo stoccaggio con acqua di rete e asciugarlo.
3. Accertarsi che il Bluetooth® sia attivato sullo smartphone. Rimanere vicini al dispositivo per tutto il processo di calibrazione.
4. Nell'applicazione selezionare il prodotto, cercare la sezione calibrazione della sonda e seguire i passaggi guidati.
5. Mettere una soluzione ORP nel tappo per lo stoccaggio e avvitarlo sul dispositivo. Seguire le istruzioni nell'applicazione
6. Dopo aver ultimato la misurazione dell'ORP, svitare il tappo per lo stoccaggio e sciacquare la sonda. Svuotare, sciacquare con acqua di rete e asciugare il tappo per lo stoccaggio.



- Pulire sempre la sonda e il tappo per lo stoccaggio con acqua di rete dopo aver usato un prodotto di calibrazione per evitare che si mischino.
- Dopo la calibrazione dell'ORP/redox, può essere necessario un po' di tempo prima di ottenere misure corrette. Aspettare almeno 6 ore prima di effettuare una misurazione in piscina.

7. Convalidare la calibrazione.
8. Installare il coperchio del sensore su Blue Connect e rimetterlo nella piscina.

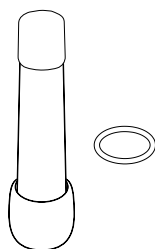
## Sostituzione della sonda

La sonda deve essere sostituita approssimativamente ogni due anni. Rivolgersi al rivenditore per acquistare una nuova sonda.



- Per garantire la massima durata della sonda, tenerla il più a lungo possibile in un ambiente umido. Se si estrae l'apparecchio dall'acqua, installare il coperchio per lo stoccaggio con KCl (cloruro di potassio saturo), pH4 o, come ultima risorsa, acqua della piscina.
- Un pH basso (che rientra nei parametri corretti della piscina) aumenta la durata della sonda.
- Quando si carica la sonda, assicurarsi che il prodotto non rimanga aperto troppo a lungo, poiché l'essiccante può assorbire umidità e poi rilasciarla all'interno del prodotto una volta chiuso.

### Kit di sostituzione della sonda

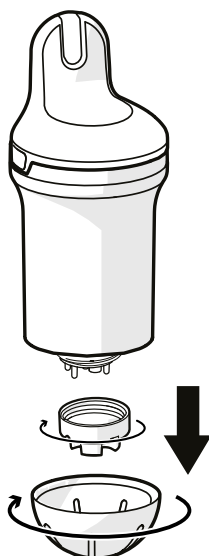


### Installazione



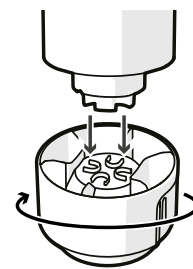
**Si consiglia vivamente di eseguire questa procedura con il prodotto in posizione verticale così che non penetri acqua nel dispositivo.**

1. Nell'applicazione selezionare il prodotto, cercare la sezione sostituzione della sonda e seguire i passaggi guidati.
2. Estrarre Blue Connect dall'acqua. Asciugare il dispositivo e iniziare la procedura in un luogo asciutto, pulito.
3. Rimuovere il coperchio del sensore e il coperchio della sonda.

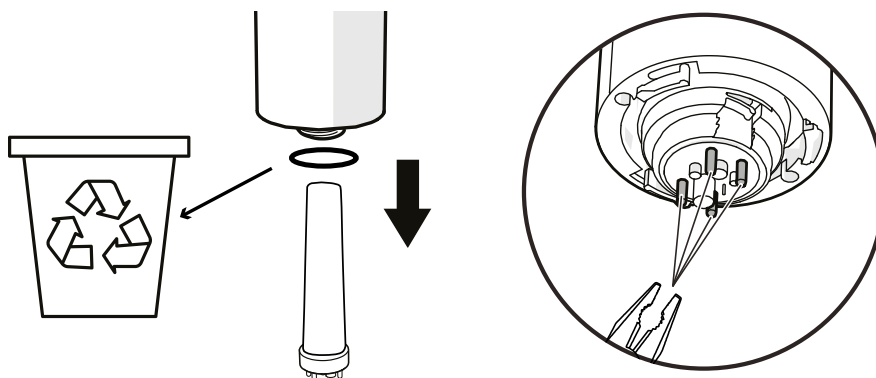




Se necessario, è possibile usare il lato inferiore del tappo per lo stoccaggio per svitare il coperchio della sonda.

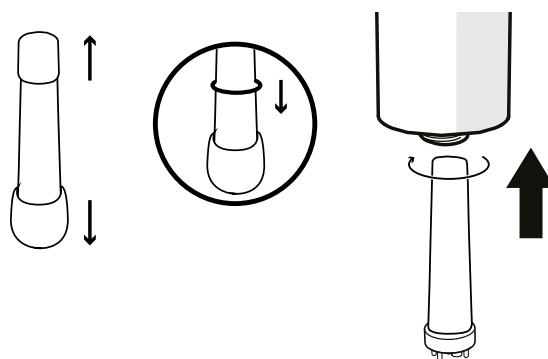


4. Tirare delicatamente le quattro punte di plastica della sonda. Se necessario, è possibile usare delicatamente delle pinze per rimuovere la sonda (vedere zoom). Asciugare l'acqua residua e tenere il dispositivo in posizione verticale. Assicurarsi di rimuovere il sigillo e di smaltirlo (può essere intrappolato all'interno).



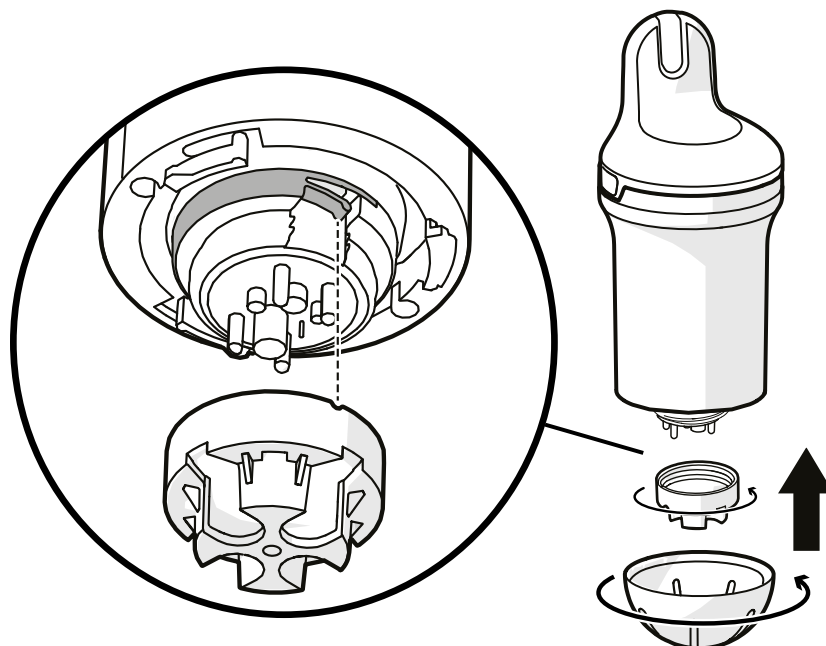
5. Scansionare il codice QR della nuova sonda

6. Rimuovere il coperchio protettivo della nuova sonda. Posizionare il nuovo sigillo sulla nuova sonda. Inserire la sonda e ruotarla fino a che non si trova nella posizione corretta.

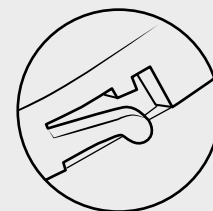


- Fare attenzione a non far cadere la sonda perché è molto fragile.
- **NON** usare nessuno strumento e **NON** toccare le aree di rilevamento della sonda durante l'installazione per non danneggiarle.
- Questi passaggi andrebbero effettuati il più rapidamente possibile per evitare di tenere aperto il dispositivo troppo a lungo.

7. Avvitare saldamente il coperchio della sonda nel dispositivo fino a che non scatta in posizione (vedere zoom). È possibile usare il lato inferiore del tappo per lo stoccaggio per stringerlo. Quindi installare il coperchio del sensore e rimettere Blue Connect in acqua.



**Il coperchio della sonda deve essere avvitato in maniera tale che la linguetta scatti in posizione come mostrato. In caso contrario, il prodotto può essere danneggiato.**



Il sensore può impiegare alcune ore a stabilizzare i parametri dopo la prima immersione nella piscina

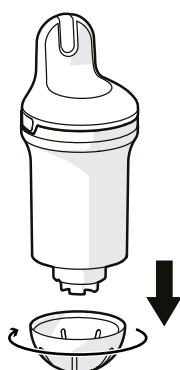
## Stoccaggio invernale

Per mantenere il dispositivo in buone condizioni, è necessario stoccarlo in maniera appropriata per l'inverno mettendolo in modalità inverno. Assicurarsi che sia completamente carico prima di seguire la seguente procedura.

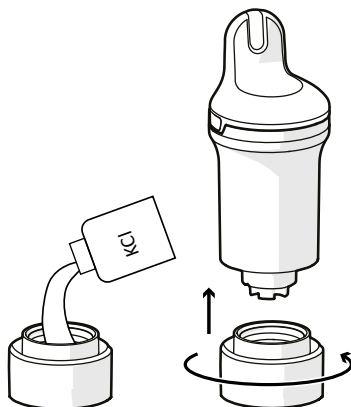
### Modalità inverno

Il dispositivo va messo in modalità inverno prima di riporlo per l'inverno. **La modalità inverno non può essere attivata se il dispositivo è in carica.**

1. Estrarre Blue Connect dall'acqua. Rimuovere il coperchio del sensore.



2. Assicurarsi che Internet (Wi-Fi o 4G) e il Bluetooth® siano attivati sullo smartphone. Rimanere vicini al dispositivo per tutto il processo di stand-by.
3. Mettere il dispositivo in modalità inverno- nell'applicazione, selezionare il prodotto, cercare modalità inverno e seguire i passaggi guidati.
4. Sciacquare il tappo per lo stoccaggio con acqua di rete e asciugarlo. Posizionare KCl (cloruro di potassio saturo) o pH4 (o, come ultima risorsa, acqua) nel tappo per lo stoccaggio e avvitarlo.



Il KCl presente nel tappo per lo stoccaggio può causare la formazione di sale agglomerato alla giunzione con il corpo del dispositivo, ma non è pericoloso in nessun caso. Sciacquare semplicemente con acqua di rete.

5. Convalidare la modalità inverno e conservare Blue Connect al riparo dal gelo.

## Stoccaggio

Se è necessario tenere Blue Connect fuori dalla piscina per più di un'ora, installare il tappo per lo stoccaggio con KCl (cloruro di potassio saturo), pH4 o, come ultima risorsa, acqua della piscina poiché la sonda non deve rimanere asciutta.

## Riattivazione dopo lo stoccaggio invernale

Per riattivare Blue Connect dopo lo stoccaggio invernale, collegarlo semplicemente all'alimentazione elettrica per caricare la batteria. Ciò riattiva il dispositivo.

## 7. RISOLUZIONE DEI PROBLEMI

PROBLEMA	SOLUZIONE
Accoppiamento non riuscito	Non confondere lettere e numeri (ad es. B e 8, I e 1, ecc.) nel codice d'accesso.
Le misurazioni non sono corrette.	<ul style="list-style-type: none"> <li>Controllare la calibrazione del sensore.</li> <li>Una bolla d'aria può falsare le misure. Spostare l'apparecchio lentamente per cercare di eliminare le bolle.</li> </ul>
Misurazioni bizzarre (pH e ORP)	Le bolle sulla sonda possono esserne la causa. Scuotere il dispositivo sott'acqua per eliminare le bolle e ripetere la misurazione.
Il dispositivo viene capovolto per controllare uno stato e non succede niente	<ul style="list-style-type: none"> <li>Capovolgere lentamente il dispositivo, assicurarsi di tenerlo capovolto per almeno 1 secondo.</li> <li>Collegarlo a una presa per ricaricarlo.</li> </ul> <p>Se il LED continua a non accendersi, contattare il rivenditore.</p>
Il dispositivo non si carica (nessun LED blu)	<ul style="list-style-type: none"> <li>Controllare il caricatore</li> <li>Controllare il cavo USB-C</li> </ul> <p>Se il dispositivo continua a non caricarsi, contattare il rivenditore.</p>
Quando si desidera connettere il dispositivo in Bluetooth, il dispositivo non viene rilevato e non appare sulla lista dei dispositivi.	<ul style="list-style-type: none"> <li>Controllare che il Bluetooth® sia attivato sullo smartphone</li> <li>Controllare che il dispositivo non sia già connesso a un altro smartphone</li> <li>Caricare il dispositivo</li> </ul> <p>Se il dispositivo continua a non caricarsi, contattare il rivenditore.</p>
Non si vede il colore dello stato dell'acqua dopo aver capovolto il prodotto.	<ul style="list-style-type: none"> <li>Controllare in una zona più scura o creando un'ombra con la mano</li> <li>Caricare il dispositivo</li> </ul>
Il dispositivo deve essere ricaricato spesso	<ul style="list-style-type: none"> <li>Controllare la qualità del segnale Wi-Fi</li> <li>Provare a lasciare il dispositivo in una zona diversa della piscina</li> <li>Installare un ripetitore Wi-Fi vicino alla piscina</li> </ul>
I dati riportati sono completamente fuori range	Controllare se è presente la sonda, se il dado è avvitato saldamente e se il testimone di avvitatura è al suo posto.
Compare condensa nell'area LED	È normale e non influisce sul funzionamento del prodotto. La condensa scomparirà dopo aver conservato correttamente il prodotto per più di 6 giorni.
Il prodotto non si connette al Wi-Fi	Avvicina il prodotto al router Wi-Fi.
Nessuna misurazione alla prima installazione o dopo lo stoccaggio invernale	Il sensore è troppo asciutto. Lasciare il sensore nell'acqua per 2 ore, quindi effettuare la calibrazione e controllare se il sensore funziona correttamente.

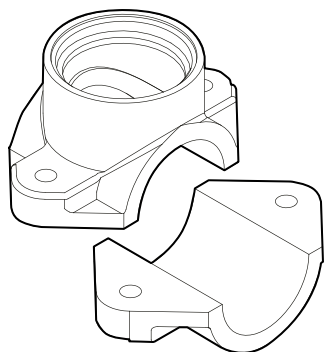
## 8. PRESENTAZIONE BLUE FIT 50

Blue Fit50 è una fascetta stringitubo compatibile con Blue Connect. Permette di installare Blue Connect sulla tubatura nel locale tecnico.



Blue Fit50 è un accessorio di Blue Connect. Viene venduto separatamente.

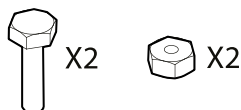
## 9. DESCRIZIONE DI BLUE FIT50



**Una fascetta stringitubo**



**Un tappo filettato**



**Due viti e bulloni**

### Precauzioni d'uso

- Non lasciare Blue Connect su Blue Fit50 in assenza di acqua nelle tubature.
- Se si interviene sul circuito idraulico (rischio di colpi d'ariete), si consiglia di rimuovere Blue Connect per non danneggiare il prodotto.
- Assicurarsi che l'impianto abbia una portata sufficiente in maniera tale che Blue Connect possa eseguire le misurazioni.
- Posizionare sempre Blue Connect verticalmente con la sonda verso il basso.
- Non caricare Blue Connect quando è installato su Blue Fit50. Rimuoverlo prima di caricarlo.
- Non tenere l'apparecchio sempre sotto carica. I valori misurati possono essere errati durante la carica.

## 10. INSTALLAZIONE DI BLUE FIT50

Assicurarsi di posizionare sempre Blue Fit50 dopo il filtro (per evitare di danneggiare le sonde) e prima del sistema di iniezione o elettrolisi del prodotto (per evitare che le misurazioni eseguite da Blue Connect siano alterate).

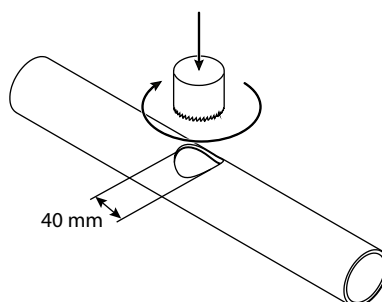
La pressione massima ammissibile per l'installazione nella tubatura è 300 kPa.

Se necessario, chiedere consiglio a un tecnico specializzato in caso di dubbio.

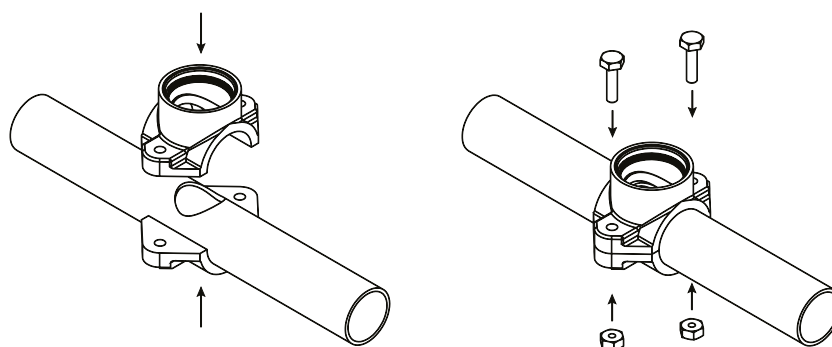
1. Spegnerne il sistema di filtrazione.
2. Con una sega a tazza del diametro di 40 mm, realizzare un foro nella parte superiore della tubatura.



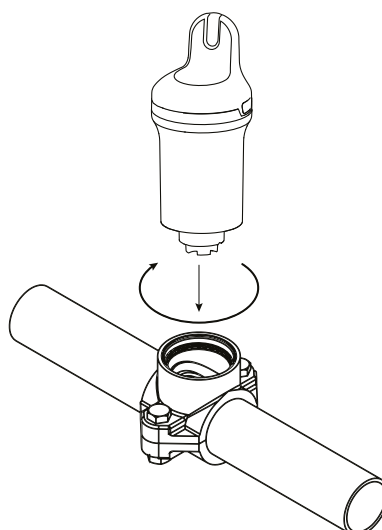
Blue Connect deve essere in posizione verticale, con la sonda verso il basso.



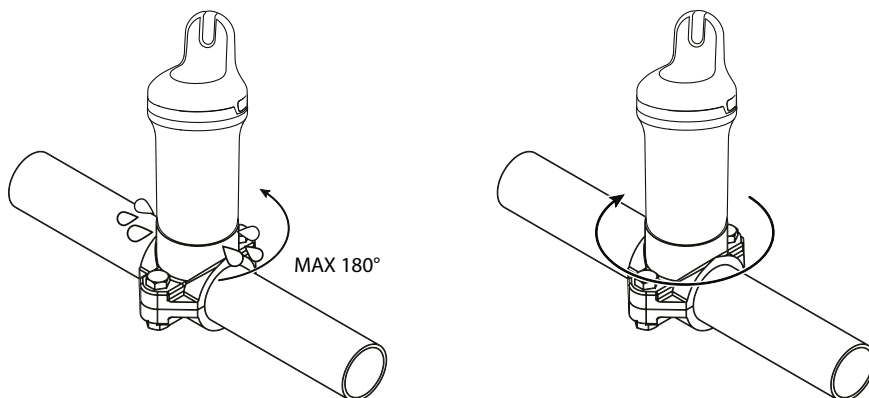
3. Posizionare entrambe le parti della fascetta stringitubo su ciascun lato della tubatura in maniera tale che i fori coincidano e avvitare le fascette stringitubo.



4. Avvitare Blue Connect sulla fascetta stringitubo. Il bordo superiore di Blue Connect deve essere parallelo al tubo.



5. Accendere il sistema di filtrazione.
6. Svitare leggermente e lentamente Blue Connect (massimo  $\frac{1}{2}$  giro) per rimuovere eventuale aria presente. Quando inizia a fuoriuscire l'acqua, significa che non c'è più aria nei tubi, ed è possibile riavvitare saldamente Blue Connect.



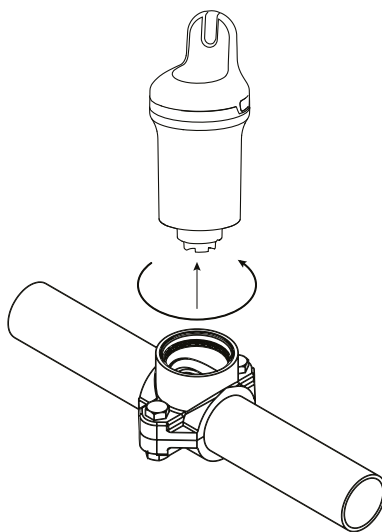
7. Nell'applicazione, selezionare il prodotto e cercare l'opzione per attivare Blue Fit50 e seguire le istruzioni.

## 11. STOCCAGGIO INVERNALE DI BLUE FIT50

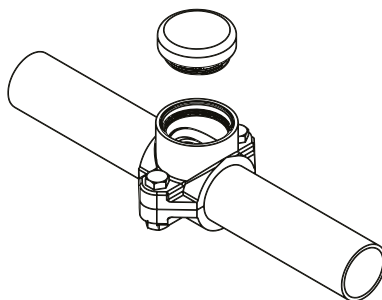
---

Seguire questa procedura quando si deve procedere allo stoccaggio invernale di Blue Connect.

1. Spegner la pompa di filtrazione, chiudere le valvole e svitare Blue Connect.



2. Sigillare la fascetta stringitubo con il cappuccio presente nella scatola di Blue Fit50.



3. Seguire la procedura per lo stoccaggio invernale di Blue Connect (vedere [Stoccaggio invernale, page 82](#)).

# INHOUD

1. VOORSTELLING VAN BLUE CONNECT .....	89
Overzicht.....	89
2. BESCHRIJVING .....	90
3. DE APP INSTALLEREN .....	91
De app downloaden.....	91
4. BLUE CONNECT INSTALLEREN .....	91
Opladen .....	91
Aan de app koppelen .....	92
Installeren .....	93
5. STATUSLED .....	94
6. ONDERHOUD .....	95
De pH-sonde kalibreren .....	95
De ORP-sonde kalibreren .....	96
De sonde vervangen .....	97
Winterklaar maken .....	99
7. PROBLEEMOPLOSSING.....	101
8. VOORSTELLING VAN BLUE FIT 50 .....	102
9. BESCHRIJVING VAN BLUE FIT50 .....	102
Voorzorgsmaatregelen bij gebruik .....	102
10. BLUE FIT50 INSTALLEREN .....	103
11. BLUE FIT50 WINTERKLAAR MAKEN.....	104



**Recycling** Dit symbool is vereist volgens de Europese AEEA-richtlijn 2012/19/EU (afgedankte elektrische en elektronische apparatuur). Het betekent dat uw apparaat niet in een normale vuilnisbak mag worden gegooid. Het zal selectief worden ingezameld met het oog op hergebruik, recycling of transformatie. Als het stoffen bevat die schadelijk kunnen zijn voor het milieu, zullen deze worden geëlimineerd of geneutraliseerd. Neem contact op met uw leverancier voor informatie over recycling.



- Voordat u het apparaat gebruikt, is het belangrijk de veiligheidswaarschuwingen en het garantieboekje te lezen die bij het product worden geleverd. Doet u dit niet, dan kan dit tot ernstige of dodelijke letsels of materiële schade leiden en vervalt de garantie.
- Bewaar deze documenten voor later gebruik, en geef ze indien nodig door, gedurende de hele levensduur van het apparaat.
- Het is verboden om dit document op welke manier ook te verspreiden of te wijzigen zonder de voorafgaande toestemming van de fabrikant.
- De fabrikant ontwikkelt zijn producten voortdurend om de kwaliteit te verbeteren. De fabrikant behoudt zich het recht voor om de kenmerken van het product of de inhoud van dit document onaangekondigd volledig of gedeeltelijk te wijzigen.

## 1. VOORSTELLING VAN BLUE CONNECT

---

Blue Connect meet continu de belangrijkste parameters van uw zwembad (temperatuur, pH, chloor, geleidingsvermogen). Het informeert u ook over de buitentemperatuur en het weer op basis van uw geografische locatie. De resultaten van deze analyse worden vervolgens aan u doorgegeven via meldingen in de Fluidra-zwembadapp (beschikbaar op smartphone en tablet, compatibel met Android™ en iOS). Als het apparaat detecteert dat een van de parameters onjuist is, zult u een waarschuwing krijgen met informatie over wat u moet doen om deze parameter te regelen en te stabiliseren, zodat de waterkwaliteit gezond en evenwichtig blijft.

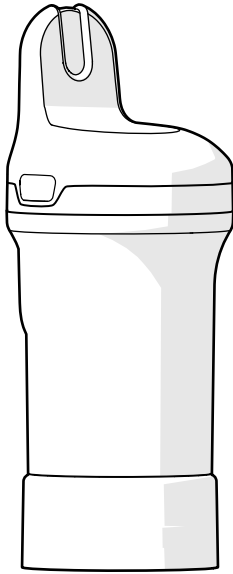
### Overzicht

Blue Connect meet het volgende:

- **Watertemperatuur** (°C): meet de watertemperatuur. Een hoge temperatuur vermindert de werkzaamheid van het chloor en bevordert de groei van micro-organismen.
- **pH** (waterstofpotentiaal): meet het zure of basische karakter van het water. pH draagt bij tot de doeltreffendheid van het ontsmettingsmiddel.
- **ORP/REDOX** (oxidatiereductiepotentiaal/redoxpotentiaal): de ORP of REDOX meet het oxidatievermogen van het water in mV. Deze verstrekt informatie over het ontsmettingsvermogen van water.
- **Geleidingsvermogen** (µS): meet de concentratie anorganische zouten in het water aan de hand van het vermogen van het water om elektriciteit te geleiden (afhankelijk van het model).
- **Zoutgehalte** (g/l): meet de concentratie zout dat is opgelost in het water (afhankelijk van het model).

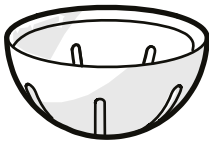
## 2. BESCHRIJVING

---



**Blue Connect** - Geleverd met de opbergvoet erop om de sonde tijdens het transport te beschermen. De sonde wordt ondergedompeld in KCl (verzadigd kaliumchloride), waardoor ze beschermd is.

**Opbergvoet** - Gebruikt om de sonde uit het water te transporteren, of om de sensoren ondergedompeld te houden wanneer de sonde gedurende een langere periode wordt opgeborgen (bijvoorbeeld tijdens het opladen of in de winter).

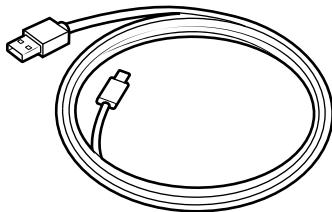


**Sensorkap** - Moet altijd op het apparaat worden gemonteerd, voordat u het in het water plaatst. Deze kap beschermt de sensoren tegen schade.



**Koord** - Gebruikt om het apparaat aan een bevestigingspunt vast te maken (optioneel).

U moet mogelijk een kleine tang gebruiken om het koord in de opening aan de zijkant van het product te steken.

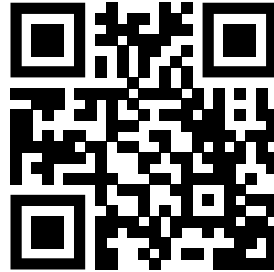


**USB-C-kabel** - Gebruikt om het apparaat op te laden.

## 3. DE APP INSTALLEREN

### De app downloaden

Download de Fluidra-zwembadapp en volg de instructies om een account aan te maken en uw zwembad in te stellen.



## 4. BLUE CONNECT INSTALLEREN

De volgende stappen zijn nodig om Blue Connect in gebruik te nemen:

- Laad het apparaat op,
- Koppel het apparaat aan de Fluidra-zwembadapp
- Installeer de sensorkap en plaats het apparaat in het zwembad

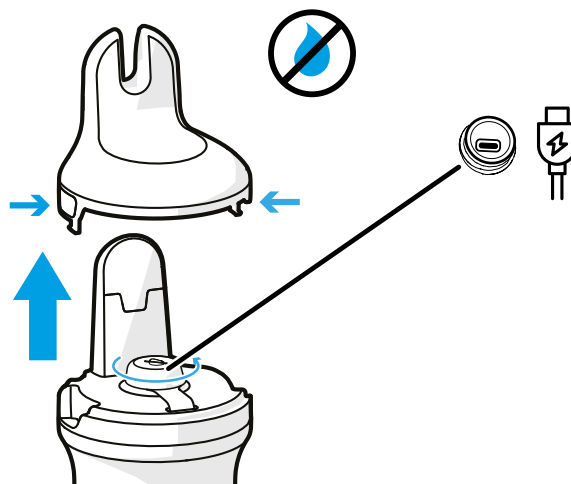
### Opladen



- U moet het apparaat vóór gebruik volledig opladen. Laad het apparaat altijd rechtop op met behulp van de met KCL of water gevulde opbergvoet.
- Tijdens het laden kunnen verkeerde meetwaarden (pH, ORP) weergegeven worden. Houd tijdens het laden geen rekening met deze waarden.

Om Blue Connect op te laden:

1. **Droog Blue Connect grondig af** en verwijder vervolgens de bovenkap door er aan beide zijden op te drukken en de kap omhoog te trekken.
2. Schroef de kap van de oplaadpoort en sluit de USB-C-kabel aan op het apparaat en op een elektrische voeding om op te laden.



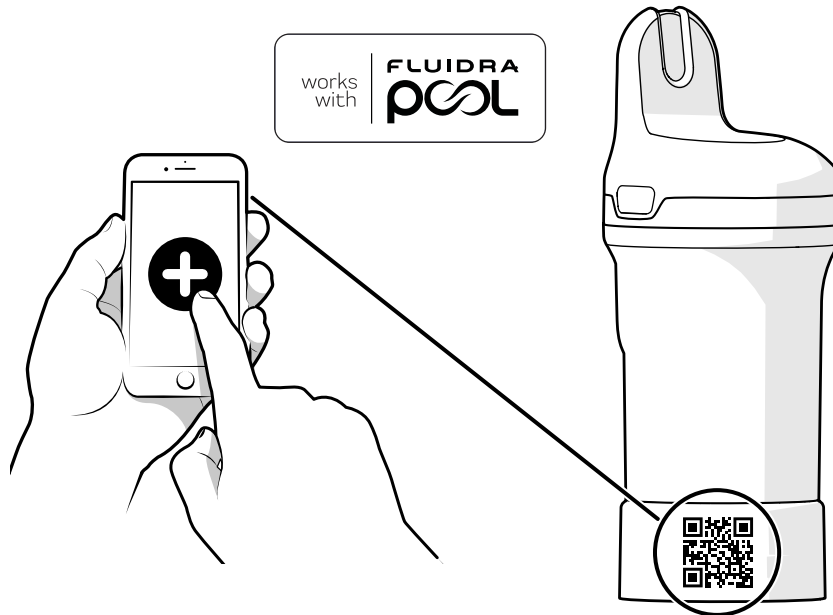


**De oplaadpoort moet droog zijn voordat u begint op te laden. Ga hierbij met droge handen op een droge plaats te werk.**

3. **Sluit de oplaadpoort** na het opladen **goed af** en plaats de bovenkap terug op Blue Connect.

## Aan de app koppelen

Open de Fluidra-zwembadapp en klik op **Apparatuur toevoegen** om Blue Connect te koppelen. De voor de koppeling gebruikte QR-code bevindt zich op de opbergvoet en onder de bovenkap die wordt verwijderd om op te laden.

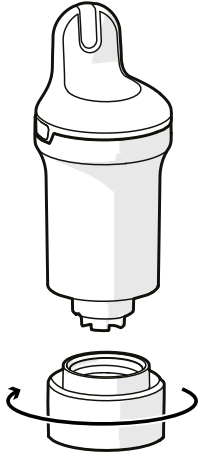


Zodra de verbinding met de app tot stand is gebracht, krijgt u in de app een melding als er firmware-updates beschikbaar zijn. Volg de instructies in de app om uw product bij te werken.

## Installeren

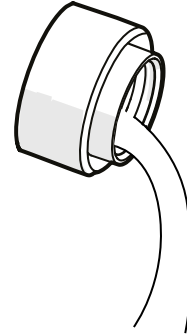
Vóór gebruik moet u de opbergvoet verwijderen en de sensorkap installeren.

1. Zet Blue Connect rechtop en schroef de opbergvoet los.

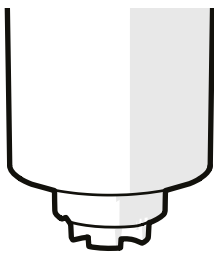


2. Maak de opbergvoet leeg en spoel deze af in schoon water. Zet opzij.

**OPMERKING:** bewaar de opbergvoet op een veilige plaats voor later gebruik.



3. Spoel de sonde af in schoon water.

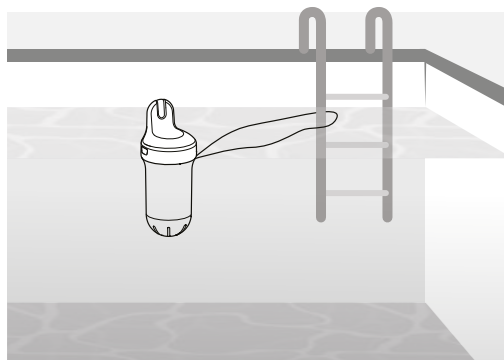


4. Schroef de sensorkap erop om de sonde te beschermen.



5. Plaats Blue Connect in het zwembad en laat het apparaat in het water drijven. Indien nodig kunt u het apparaat vastmaken door het met het koord aan een bevestigingspunt te bevestigen.

Zorg ervoor dat het apparaat verticaal staat en dat de bovenkant uit het water is, voor een correcte communicatie.

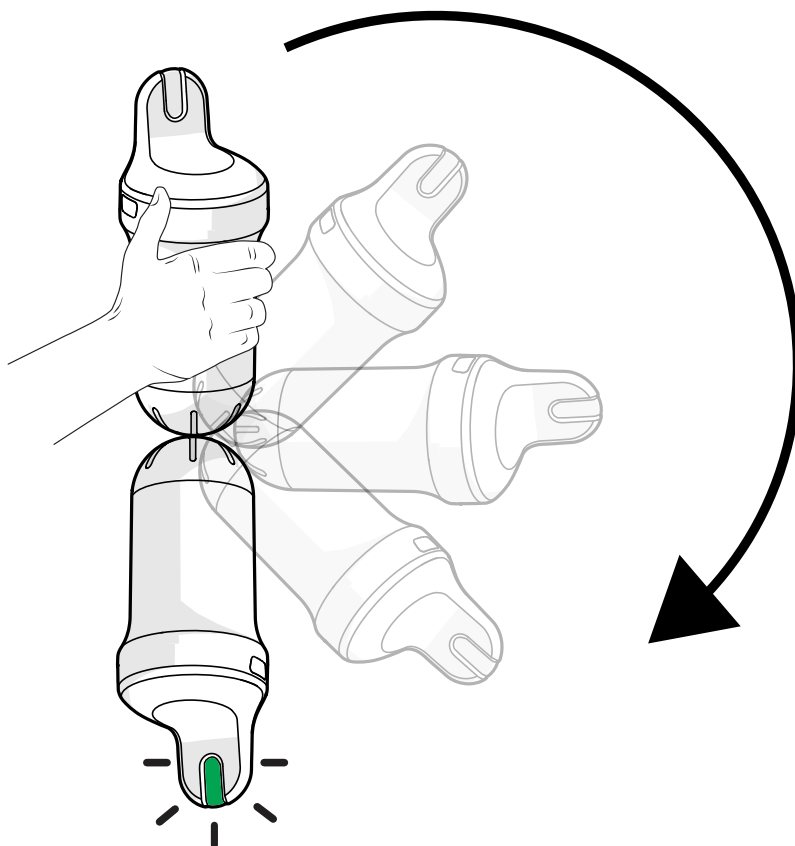


**Voor zwembaden met een zwembadafdekking is het niet aan te raden om Blue Connect met het koord te bevestigen bij het sluiten van de zwembadafdekking. Als het apparaat is vastgemaakt, kan het in het water worden ondergedompeld en kan de verbinding worden verbroken.**

## 5. STATUSLED

De ledindicator op het product verstrekt informatie over de waterkwaliteit, de toestand van de batterij en het opladen.

Als u de toestand van het water/de batterij direct op het apparaat wilt controleren (in plaats van in de app te kijken), haalt u het uit het water en draait u het ondersteboven zoals op de afbeelding. U moet het ten minste 1 seconde ondersteboven houden. Blue Connect laat een pieptoon horen en de led gaat branden (zie de onderstaande tabel met de toestanden van de led).



TOESTAND	STATUSLED / PIEPTOON	BESCHRIJVING
Opladen	Langzaam knipperend blauw / 1 pieptoon	Opladen
	Continu blauw	Opgeladen (vol)
Niet geactiveerd	Uit	Apparaat niet geactiveerd
Snelle controle van de toestand van de toestand (Zie toelichting hieronder)	3 keer rood knipperen / 3 pieptonen	Batterij bijna leeg
	Continu groen 5 s / 1 pieptoon	Water OK
	Continu oranje 5 s / 1 pieptoon	Water niet OK (waterkwaliteit moet worden gecontroleerd en verbeterd. Raadpleeg de app Fluidra Pool voor meer informatie.)
	Continu wit 5 s / 1 pieptoon	Geen toestand van het water, apparaat aan
Firmware-update	Snel knipperend blauw / 1 pieptoon	

## 6. ONDERHOUD

Alle onderhoudsprocedures moeten worden uitgevoerd met de Fluidra-zwembadapp.

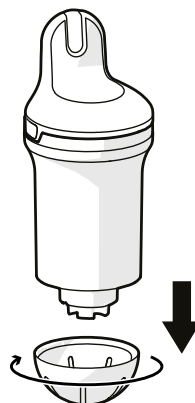


- Kalibratieproducten zijn uitsluitend voor eenmalig gebruik. Gebruik ze nooit twee keer. Neem contact op met uw dealer voor een nieuw product.
- Het ijkken mag niet plaatsvinden tijdens het laden van het apparaat.

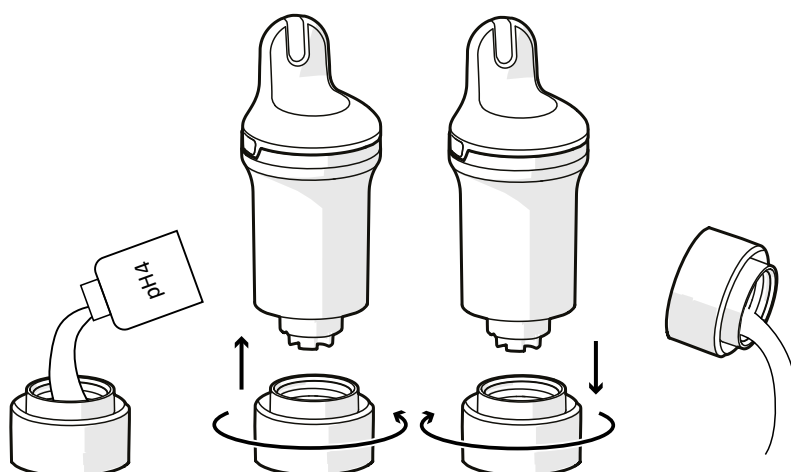
### De pH-sonde kalibreren

De pH-sonde moet één keer per seizoen worden gekalibreerd. U hebt hiervoor een kalibratiekit nodig- neem contact op met uw plaatselijke dealer voor meer informatie. Voor de eerste installatie hebt u deze kit niet nodig.

1. Haal het apparaat uit het water, verwijder de sensorkap en spoel de sonde af in schoon water.



2. Spoel de opbergvoet af met schoon water en droog de voet af.
3. Zorg ervoor dat Bluetooth® op uw smartphone is geactiveerd. Blijf tijdens het hele kalibratieproces in de buurt van uw apparaat.
4. Selecteer het product in de app, zoek naar het gedeelte over de kalibratie van de sonde en volg de aangegeven stappen.
5. Vul de opbergvoet met pH4-oplossing en schroef de voet op het apparaat. Volg de instructies in de app.
6. Zodra de pH4-meting is voltooid, schroeft u de opbergvoet los en spoelt u de sonde af. Maak de voet leeg, spoel deze af met schoon water en droog de voet af.



7. Herhaal stap 5 met de pH7-oplossing.



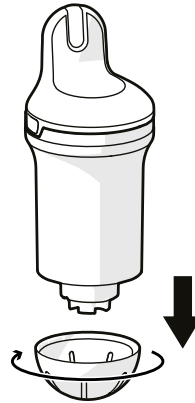
Reinig de sonde en de opbergvoet altijd met schoon water na gebruik van een kalibratieproduct, om mengelingen te voorkomen.

8. Valideer de kalibratie.
9. Installeer de sensorkap op Blue Connect en plaats het apparaat terug in het zwembad.

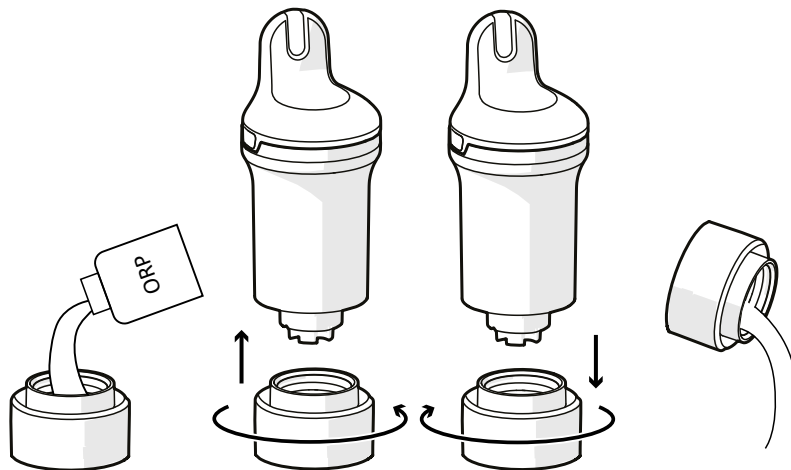
## De ORP-sonde kalibreren

De ORP-sonde moet één keer per seizoen worden gekalibreerd. U hebt hiervoor een kalibratiekit nodig- neem contact op met uw plaatselijke dealer voor meer informatie. Voor de eerste installatie hebt u deze kit niet nodig.

1. Haal het apparaat uit het water, verwijder de sensorkap en spoel de sonde af in schoon water.



2. Spoel de opbergvoet af met schoon water en droog de voet af.
3. Zorg ervoor dat Bluetooth® op uw smartphone is geactiveerd. Blijf tijdens het hele kalibratieproces in de buurt van uw apparaat.
4. Selecteer het product in de app, zoek naar het gedeelte over de kalibratie van de sonde en volg de stappen die worden aangegeven.
5. Vul de opbergvoet met een ORP-oplossing en schroef de voet op het apparaat. Volg de instructies in de app.
6. Zodra de ORP-meting is voltooid, schroeft u de opbergvoet los en spoelt u de sonde af. Maak de voet leeg, spoel deze af met schoon water en droog de voet af.



- Reinig de sonde en de opbergvoet altijd met schoon water na gebruik van een kalibratieproduct, om mengelingen te voorkomen.
- Na het ijken van de ORP/redox kan het een tijdje duren voordat er correcte metingen verkregen worden. Wacht minstens 6 uur alvorens een meting in het zwembad uit te voeren.

7. Valideer de kalibratie.
8. Installeer de sensorkap op Blue Connect en plaats het apparaat terug in het zwembad.

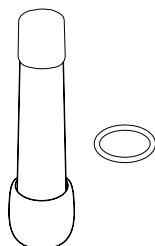
## De sonde vervangen

De sonde moet ongeveer om de twee jaar worden vervangen. Neem contact op met uw dealer voor een nieuwe sonde.



- Voor een maximale levensduur van de sonde moet u ze zo lang mogelijk in een vochtige omgeving houden. Als u het apparaat uit het water haalt, moet u de opbergvoet met KCl (verzadigd kaliumchloride), pH4 of, als laatste redmiddel, zwembadwater installeren.
- Een lage pH (binnen de juiste zwembadparameters) verlengt de levensduur van de sonde.
- Zorg er bij het vervangen van de sonde voor dat het product niet te lang open blijft staan, omdat droogmiddel vocht kan absorberen en vervolgens weer kan vrijgeven in het product zodra het gesloten is.

### Kit voor vervanging van de sonde

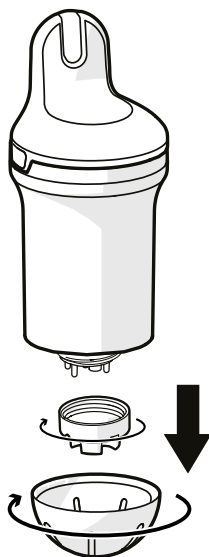


### Installatie



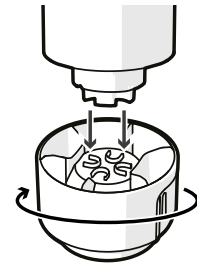
**Het wordt ten zeerste aangeraden om deze procedure uit te voeren terwijl u het product rechtop houdt, zodat er geen water in het apparaat komt.**

1. Selecteer uw product in de app, zoek naar het gedeelte over de vervanging van de sonde en volg de aangegeven stappen.
2. Haal Blue Connect uit het water. Droog het apparaat af en start de procedure op een droge, schone plaats.
3. Verwijder de sensorkap en het deksel van de sonde.

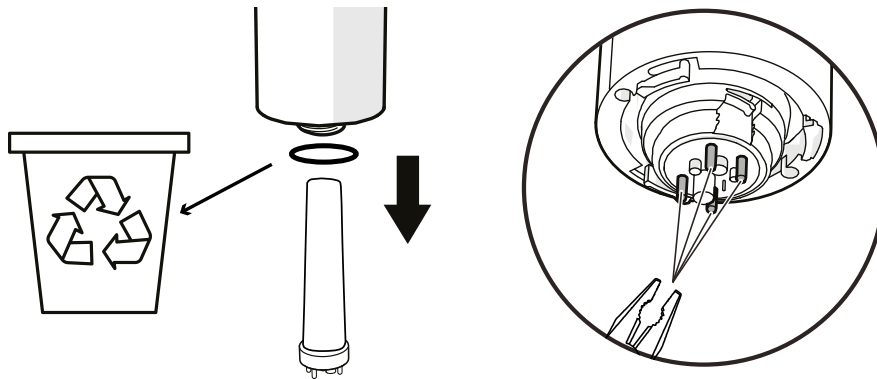




Indien nodig kunt u de onderkant van de opbergvoet gebruiken om het deksel van de sonde los te schroeven.

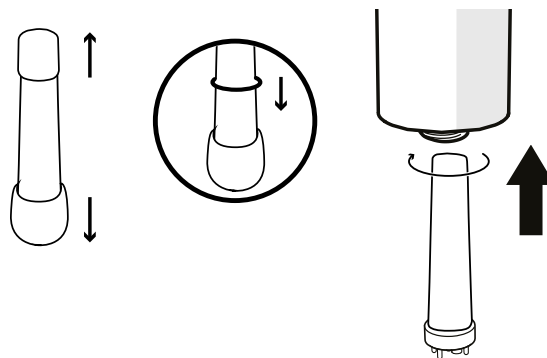


4. Trek voorzichtig aan de vier plastic uiteinden van de sonde. Indien nodig kunt u voorzichtig een tang gebruiken om de sonde te verwijderen (zie zoom). Veeg eventueel achtergebleven water weg en houd het apparaat rechtop. Verwijder de afdichting en gooi deze weg (de afdichting kan aan de binnenkant vastzitten).



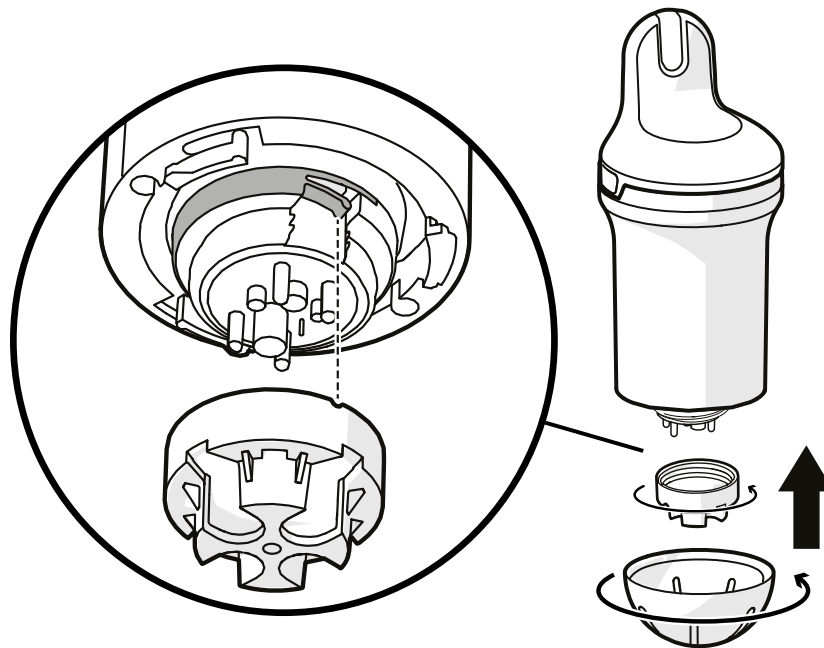
5. Scan de QR-code van de nieuwe sonde.

6. Verwijder de beschermkap van de nieuwe sonde. Plaats de nieuwe afdichting op de nieuwe sonde. Plaats de sonde en draai eraan tot ze op haar plaats zit.

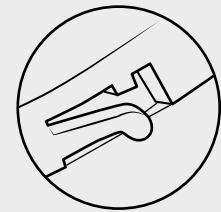


- Let op dat u de sonde niet laat vallen, want ze is zeer breekbaar.
- Gebruik bij de installatie GEEN gereedschap en raak de meetzones van de sonde NIET aan, om beschadiging te voorkomen.
- Deze stappen moeten zo snel mogelijk worden uitgevoerd om te voorkomen dat het apparaat te lang open blijft staan.

7. Schroef het deksel van de sonde stevig op het apparaat tot het vastklikt (zie zoom). U kunt de onderkant van de opbergvoet gebruiken om het vast te draaien. Installeer vervolgens de sensorkap en plaats Blue Connect terug in het water.



Het deksel van de sonde moet zo worden vastgeschroefd dat het kleine lipje op zijn plaats klikt, zoals op de afbeelding is te zien. Anders kan het product beschadigd raken.



Het kan enkele uren duren voordat de parameters van de sensor zijn gestabiliseerd na de eerste onderdompeling in het zwembad.

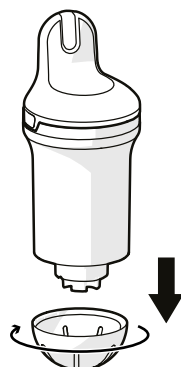
## Winterklaar maken

Om ervoor te zorgen dat uw apparaat goed blijft werken, moet u het op de juiste manier voor de winter opbergen door het in de winterstand te zetten. Zorg ervoor dat het apparaat volledig is opgeladen voordat u de onderstaande procedure volgt.

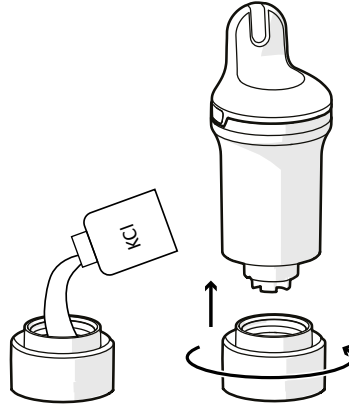
### Winterstand

U moet het apparaat in de winterstand zetten voordat u het voor de winter opbergt. **De winterstand kan niet worden geactiveerd als het apparaat aan het opladen is.**

1. Haal Blue Connect uit het water. Verwijder de sensorkap.



2. Zorg ervoor dat het internet (wifi of 4G) en Bluetooth® op uw smartphone zijn ingeschakeld. Blijf tijdens het hele stand-byproces in de buurt van het apparaat.
3. Zet het apparaat in de winterstand- selecteer uw product in de app, zoek naar de winterstand en volg de aangegeven stappen.
4. Spoel de opbergvoet af met schoon water en veeg de voet schoon. Vul de opbergvoet met KCl (verzadigd kaliumchloride) of pH4 (of water als laatste redmiddel) en schroef de voet vast.



Het in de opbergvoet aanwezige KCl kan zout doen samenklonteren op de verbinding met de behuizing van het apparaat, maar dit is in geen geval gevaarlijk. Spoel het gewoon weg met schoon water.

5. Valideer de winterstand en berg Blue Connect beschut tegen vorst op.

## Opberging

Als u Blue Connect voor meer dan een uur uit het zwembad moet halen, moet u de opbergvoet met KCl (verzadigd kaliumchloride), pH4 of, als laatste redmiddel, zwembadwater installeren, omdat de sonde niet droog mag blijven.

## Heractiveren na de winter

Om Blue Connect na de winter te heractiveren, steekt u gewoon de stekker in het stopcontact om de batterij op te laden. Hierdoor wordt het apparaat weer opgestart.

## 7. PROBLEEMOPLOSSING

PROBLEEM	OPLOSSING
Koppeling mislukt	Verwar geen letters met cijfers (bv. B en 8, I en 1 enz.) in de toegangscode.
De metingen zijn niet juist.	<ul style="list-style-type: none"> <li>Controleer de kalibratie van de sensor.</li> <li>Een luchtbel kan een verkeerd meetresultaat geven. Verplaats het apparaat langzaam om te trachten de luchtbellen te elimineren.</li> </ul>
Ongewone metingen (pH en redox)	Luchtbellen op de sonde kunnen de oorzaak zijn. Schud met het apparaat onder water om de luchtbellen te verwijderen, en meet opnieuw.
U draait het apparaat ondersteboven om de toestand te controleren, en er gebeurt niets.	<ul style="list-style-type: none"> <li>Draai het apparaat langzaam om en houd het ten minste 1 seconde ondersteboven.</li> <li>Steek de stekker in het stopcontact om het op te laden.</li> </ul> <p>Als de led nog steeds niet brandt, moet u contact opnemen met uw dealer.</p>
Het apparaat laadt niet op (geen blauwe led)	<ul style="list-style-type: none"> <li>Controleer uw oplader</li> <li>Controleer uw USB-C-kabel</li> </ul> <p>Als het apparaat nog steeds niet oplaadt, moet u contact opnemen met uw dealer.</p>
Wanneer u uw apparaat via bluetooth wilt verbinden, wordt uw apparaat niet gedetecteerd en verschijnt het niet in de apparatenlijst.	<ul style="list-style-type: none"> <li>Controleer of bluetooth op uw smartphone is geactiveerd.</li> <li>Controleer of het apparaat niet al met een andere smartphone is verbonden.</li> <li>Laad het apparaat op.</li> </ul> <p>Als het apparaat nog steeds niet oplaadt, moet u contact opnemen met uw dealer.</p>
U ziet de kleur van de toestand van het water niet, nadat u uw product hebt omgedraaid.	<ul style="list-style-type: none"> <li>Controleer op een plaats waar het donkerder is, of creëer schaduw met uw hand.</li> <li>Laad het apparaat op.</li> </ul>
U moet het apparaat vaak opladen.	<ul style="list-style-type: none"> <li>Controleer de kwaliteit van het wifisignaal.</li> <li>Probeer het apparaat op een andere plaats in het zwembad te laten liggen.</li> <li>Installeer een wifiversterker in de buurt van uw zwembad.</li> </ul>
De gerapporteerde gegevens liggen volledig buiten het bereik.	Controleer of de sonde aanwezig is, of de moer stevig is vastgeschroefd en of de schroefindicatie op haar plaats zit.
Condensatie verschijnt in het LED-gebied	Dit is normaal en heeft geen invloed op de werking van het product. De condensatie verdwijnt na correcte opslag van het product gedurende meer dan 6 dagen.
Het product maakt geen verbinding met Wi-Fi	Verplaats het product dichterbij de Wi-Fi-box.
Geen meting bij de eerste installatie of na de winter.	De sensor is te droog. Laat de sensor 24 u in het water liggen, kalibreer hem vervolgens en controleer of de sensor correct functioneert.

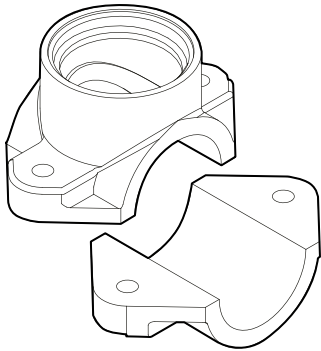
## 8. VOORSTELLING VAN BLUE FIT 50

Blue Fit50 is een slangklem die geschikt is voor Blue Connect. Met deze klem kunt u Blue Connect installeren op de leidingen in de technische ruimte.



Blue Fit50 is een Blue Connect-accessoire. Het wordt apart verkocht.

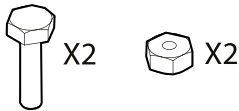
## 9. BESCHRIJVING VAN BLUE FIT50



**Eén slangklem**



**Eén schroefdop**



**Twee schroeven en bouten**

### Voorzorgsmaatregelen bij gebruik

- Laat Blue Connect niet op Blue Fit50 zitten als er geen water in de leidingen zit.
- Bij gebruik op het hydraulische circuit (risico op waterslag) is het raadzaam om Blue Connect te verwijderen, zodat het product niet beschadigd raakt.
- Zorg voor voldoende doorstroming in uw installatie, zodat Blue Connect metingen kan uitvoeren.
- Plaats Blue Connect altijd verticaal met de sonde naar beneden.
- Laad Blue Connect niet op terwijl het apparaat op Blue Fit50 is geïnstalleerd. Verwijder het voordat u begint op te laden.
- Het apparaat moet niet permanent geladen worden. Tijdens het laden kunnen verkeerde meetwaarden weergegeven worden

## 10. BLUE FIT50 INSTALLEREN

Plaats Blue Fit50 altijd achter het filter (zodat de sondes niet beschadigd raken) en vóór uw productinjectie- of elektrolysesysteem (zodat de door Blue Connect uitgevoerde metingen niet worden beïnvloed).

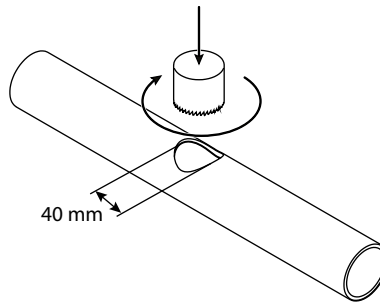
De maximaal toelaatbare waterdruk voor installatie in de leiding is 300 kPa.

Bij twijfel vraagt u zo nodig uw zwembadspecialist om advies.

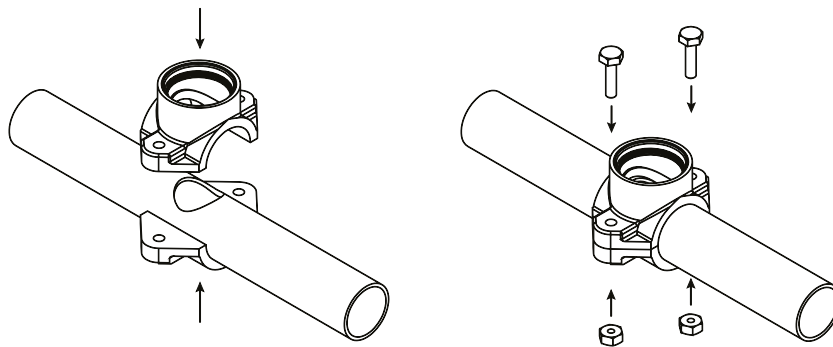
1. Schakel het filtersysteem uit.
2. Boor met een gatenzaag met een diameter van 40 mm een gat in de bovenkant van de leiding.



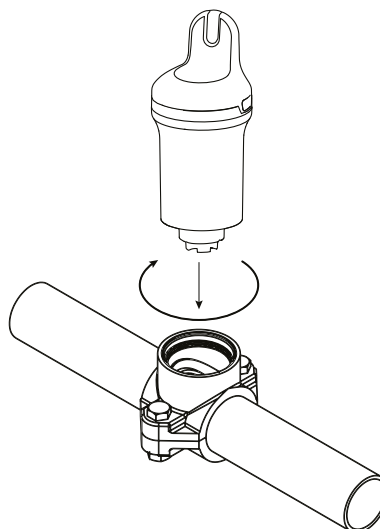
Blue Connect moet verticaal staan, met de sonde naar beneden.



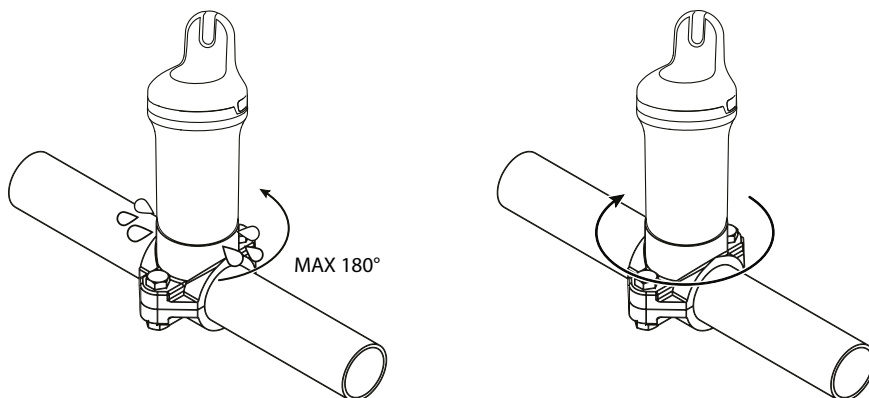
3. Plaats beide delen van de slangklem aan weerszijden van de leiding, zodat de gaten samenvallen, en schroef de slangklem vast.



4. Schroef Blue Connect op de slangklem. De lip aan de bovenkant van Blue Connect moet evenwijdig met de leiding lopen.



5. Schakel het filtersysteem in.
6. Schroef Blue Connect langzaam en lichtjes los (maximaal ½ slag) om lucht te verwijderen. Als het water naar buiten komt, betekent dit dat er geen lucht meer in de leidingen zit, waarna u Blue Connect weer stevig kunt vastschroeven.



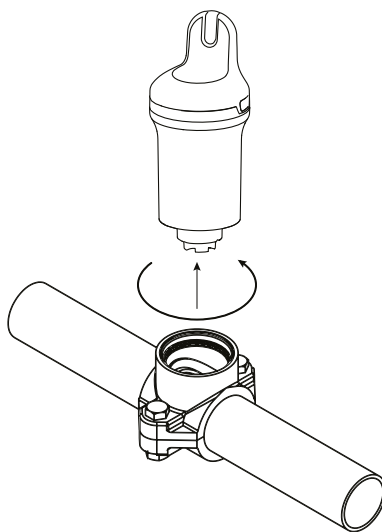
7. Selecteer het product in de app, zoek naar de optie om Blue Fit50 te activeren, en volg de instructies.

## 11. BLUE FIT50 WINTERKLAAR MAKEN

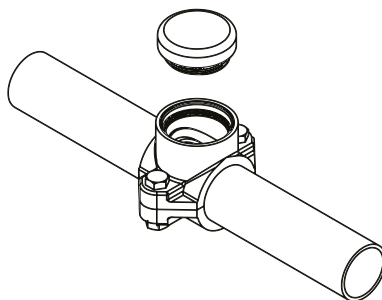
---

Volg deze procedure als u Blue Connect voor de winter wilt opbergen.

1. Schakel de filterpomp uit, sluit de kleppen en schroef Blue Connect los.



2. Sluit de slangklem af met de dop die in de doos van Blue Fit50 zit.



3. Volg de procedure om Blue Connect winterklaar te maken (zie [Winterklaar maken, pagina 99](#)).

# ÍNDICE

1. INTRODUÇÃO AO BLUE CONNECT .....	106
Vista geral .....	106
2. DESCRIÇÃO .....	107
3. INSTALAÇÃO DA APLICAÇÃO .....	108
Faça o download da aplicação .....	108
4. INSTALAÇÃO DO BLUE CONNECT .....	108
Carregamento .....	108
Emparelhamento com a aplicação .....	109
Instalação .....	110
5. LED DE ESTADO .....	111
6. MANUTENÇÃO .....	112
Calibração da sonda de pH .....	112
Calibração da sonda ORP .....	113
Substituição da sonda .....	114
Invernagem .....	116
7. RESOLUÇÃO DE PROBLEMAS .....	118
8. INTRODUÇÃO AO BLUE FIT 50 .....	119
9. DESCRIÇÃO DO BLUE FIT50 .....	119
Precauções de utilização .....	119
10. INSTALAÇÃO DO BLUE FIT50 .....	120
11. INVERNAGEM DO BLUE FIT50 .....	121



**Reciclagem** Este símbolo é exigido pela diretiva europeia WEEE 2012/19/EU (diretiva relativa aos resíduos de equipamentos elétricos e eletrónicos) e significa que o seu aparelho não deve ser deixado num caixote do lixo normal. Será recolhido seletivamente para efeitos de reutilização, reciclagem ou transformação. Se contiver substâncias que possam ser nocivas para o ambiente, estas serão eliminadas ou neutralizadas. Contacte o seu retalhista para obter informações sobre reciclagem.



- Antes de utilizar o aparelho, é importante ler os avisos de segurança e o folheto de garantia fornecido com o produto. Se não o fizer, pode provocar ferimentos graves ou mortais, danos materiais e anular a garantia.
- Conserve e transmita estes documentos para consulta posterior durante toda a vida útil do aparelho.
- É proibida a distribuição ou modificação deste documento, de que forma que seja, sem autorização prévia do fabricante.
- O fabricante está constantemente a desenvolver os seus produtos para melhorar a qualidade. O fabricante reserva-se o direito de alterar total ou parcialmente as características do produto ou o conteúdo deste documento sem aviso prévio.

## 1. INTRODUÇÃO AO BLUE CONNECT

---

O Blue Connect mede continuamente os parâmetros-chave da sua piscina (temperatura, pH, cloro, condutividade). Também o informa sobre a temperatura exterior e o tempo com base na sua localização geográfica. Os resultados desta análise são então comunicados ao utilizador através de notificações na aplicação Fluidra Pool (disponível em smartphone e tablet, compatível com Android™ e iOS). Se o dispositivo detetar que um dos parâmetros está incorreto, receberá um alerta e informações sobre a ação corretiva a realizar para regular e estabilizar esse parâmetro e manter uma qualidade de água saudável e equilibrada.

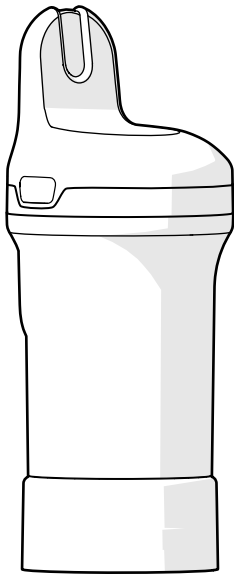
### Vista geral

O Blue Connect mede:

- **Temperatura da água** (°C): Mede a temperatura da água. Uma temperatura elevada reduz a eficiência do cloro e favorece o desenvolvimento de microorganismos.
- **pH** (potencial de hidrogénio): Mede o carácter ácido ou básico da água. O pH contribui para a eficácia do desinfetante.
- **ORP/REDOX** (potencial de oxidação-redução / potencial redox ): O ORP ou REDOX mede o poder oxidante da água em mV. Fornece informações sobre o poder desinfetante da água.
- **Condutividade** (µS): Mede a concentração de sais inorgânicos na água através da sua capacidade de conduzir eletricidade (dependendo do modelo).
- **Salinidade** (g/L): Mede a concentração de sal dissolvido na água (dependendo do modelo).

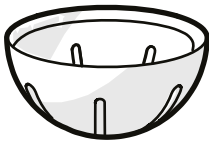
## 2. DESCRIÇÃO

---



**Blue Connect** - Fornecido com o pé de armazenamento instalado para proteger a sonda durante o transporte. A sonda é imersa em KCl (cloreto de potássio saturado), o que garante a sua proteção.

**Pé de armazenamento** - Utilizado para transportar a sonda fora da água ou para manter os sensores imersos durante um armazenamento prolongado (por exemplo, durante o carregamento ou no inverno).

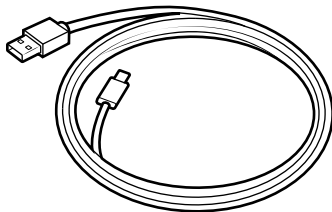


**Tampa do sensor** - Deve ser sempre montada no dispositivo antes de colocá-lo na água. Protege os sensores de quaisquer danos.



**Cordão** - Usado para fixar o dispositivo a um ponto de fixação (opcional).

Poderá ser necessário utilizar um pequeno alicate para inseri-lo na abertura lateral do produto.

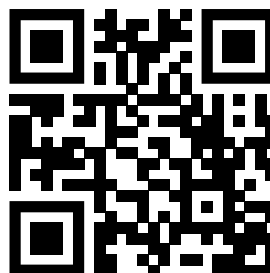


**Cabo USB-C** - Usado para o carregamento

### 3. INSTALAÇÃO DA APLICAÇÃO

#### Faça o download da aplicação

Faça o download da aplicação Fluidra Pool e siga as instruções para criar uma conta e configurar a sua piscina.



### 4. INSTALAÇÃO DO BLUE CONNECT

São necessários os seguintes passos para colocar o Blue Connect em funcionamento:

- Carregue o dispositivo.
- Emparelhe o dispositivo com a aplicação Fluidra Pool.
- Instale a tampa do sensor e coloque-o na piscina.

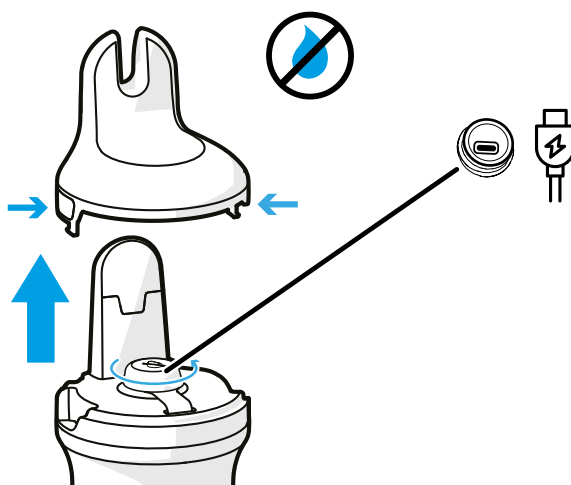
#### Carregamento



- É necessário carregar totalmente o dispositivo antes de utilizá-lo. Carregue-o sempre na posição vertical, com o pé de armazenamento cheio de solução KCl ou água.
- Durante a carga, os valores medidos (pH, ORP) podem ser erróneos. Não ter em consideração esses valores durante a carga.

Para carregar o Blue Connect:

1. **Seque completamente o Blue Connect** e retire a tampa superior pressionando de cada lado e puxando para cima.
2. Desaperte a tampa da porta de carregamento e ligue o cabo USB-C ao dispositivo e a uma fonte de alimentação para carregar.



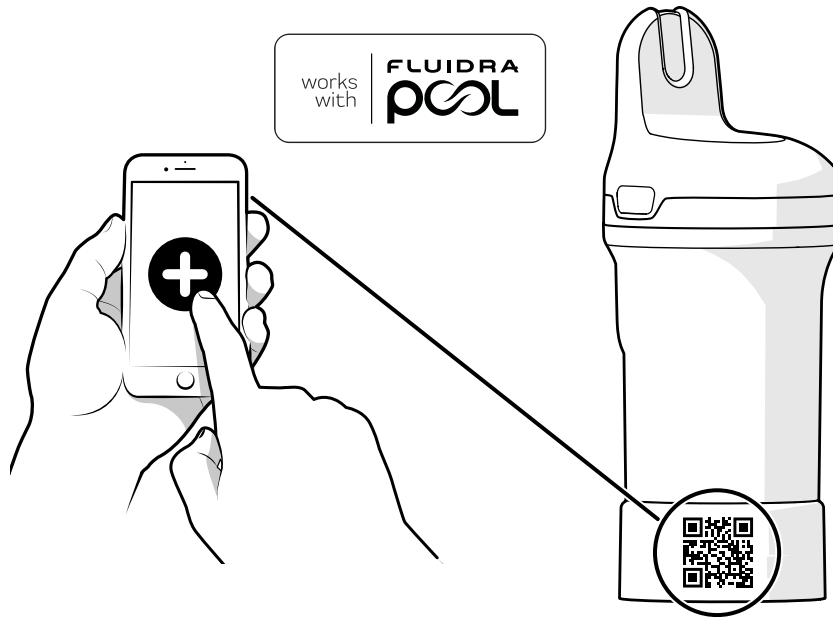


**A porta de carregamento deve estar seca antes de carregar. Manuseie com as mãos secas numa área seca.**

3. Após o carregamento, **feche firmemente a porta de carregamento** e volte a colocar a tampa no Blue Connect.

## Emparelhamento com a aplicação

Abra a aplicação Fluidra Pool e clique em **Adicionar equipamento** para emparelhar o Blue Connect. O código QR utilizado para o emparelhamento está localizado no pé de armazenamento e sob a tampa superior que é retirada para o carregamento.

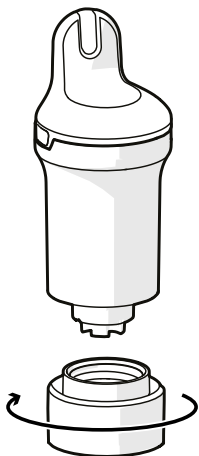


Uma vez ligado à aplicação, será notificado na aplicação se existirem atualizações de firmware disponíveis. Siga as instruções na aplicação para atualizar o seu produto.

## Instalação

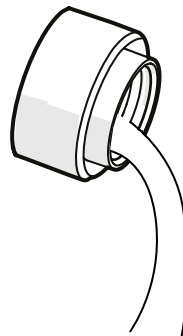
Antes da utilização, é necessário retirar o pé de armazenamento e instalar a tampa do sensor.

1. Coloque o Blue Connect na vertical e desaparafuse o pé de armazenamento.

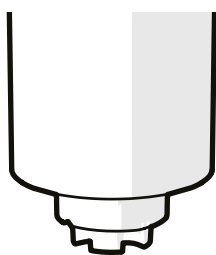


2. Esvazie o pé de armazenamento e lave-o com água limpa. Deixe de lado.

**NOTA:** Guarde o pé de armazenamento num local seguro para utilização posterior.



3. Lave a sonda com água limpa.

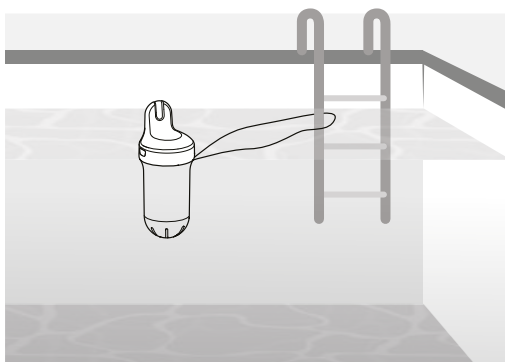


4. Aparafuse a tampa do sensor para proteger as sondas.



5. Coloque o Blue Connect na piscina e deixe-o a flutuar na água. Se necessário, pode fixá-lo a um ponto de fixação com o cordão.

Certifique-se de que o dispositivo está na posição vertical e que a parte superior está fora da água para permitir uma comunicação correta.

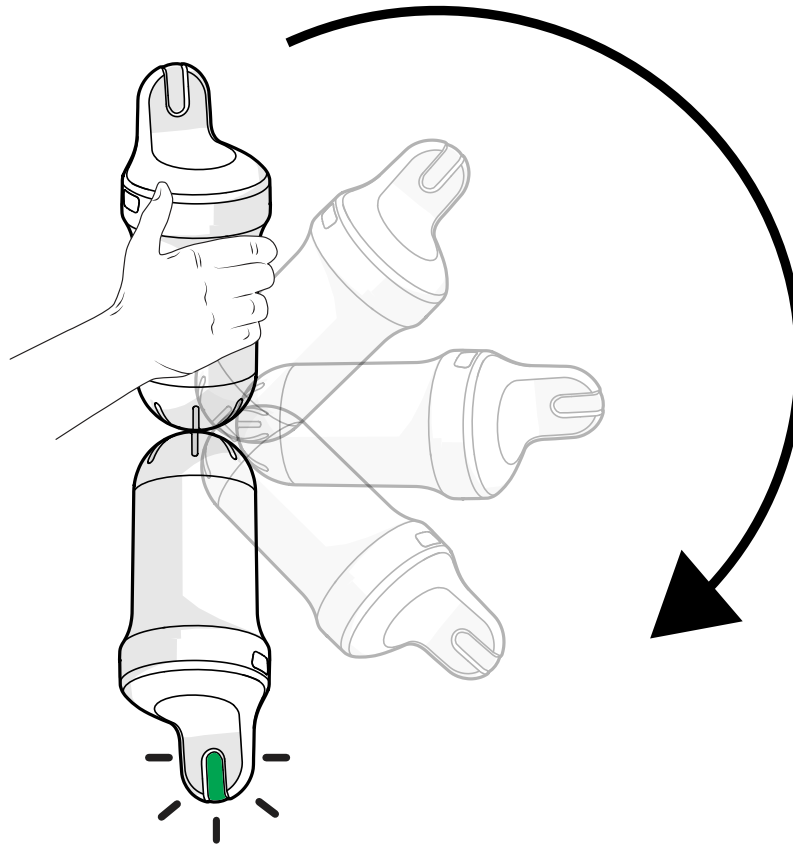


**Para piscinas com cobertura, não é recomendável utilizar o cordão para fixar o Blue Connect quando fechar a cobertura da piscina. Se estiver fixado, o dispositivo pode ser mergulhado na água e perder a conectividade.**

## 5. LED DE ESTADO

O indicador LED no produto fornece informações sobre a qualidade da água, o estado da bateria e o carregamento.

Se desejar verificar o estado da água/bateria diretamente no dispositivo (em vez de procurar na aplicação), retire-o da água e vire-o ao contrário, como indicado. É necessário mantê-lo durante pelo menos 1 segundo na posição invertida. O Blue Connect emite um sinal sonoro e o LED acende-se (veja a tabela de estado do LED abaixo).



ESTADO	LED DE ESTADO / SINAL SONORO	DESCRIÇÃO
Carregamento	Azul a piscar lentamente / 1 sinal sonoro	Carregamento
	Azul contínuo	Carregado (completo)
Não ativado	Desligado	Dispositivo não ativado
Verificação rápida do estado (veja explicação abaixo)	3 flashes vermelhos / 3 sinais sonoros	Bateria fraca
	Verde contínuo 5s / 1 sinal sonoro	Água OK
	Laranja contínuo 5s / 1 sinal sonoro	Água não ok (a qualidade da água tem de ser verificada e corrigida. Consultar a aplicação Fluidra Pool para mais informações.)
	Branco contínuo 5s / 1 sinal sonoro	Sem estado da água, dispositivo ligado
Atualização do firmware	Azul a piscar rapidamente / 1 sinal sonoro	

## 6. MANUTENÇÃO

Todos os procedimentos de manutenção devem ser efetuados usando a aplicação Fluidra Pool.

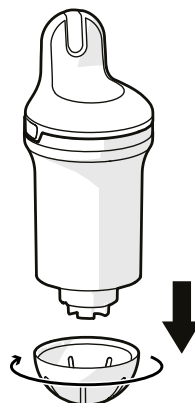


- Os produtos de calibração destinam-se a uma única utilização. Nunca os utilize duas vezes. Queira contactar o seu revendedor para obter um novo.
- A calibração não deve ser efetuada durante o carregamento do aparelho.

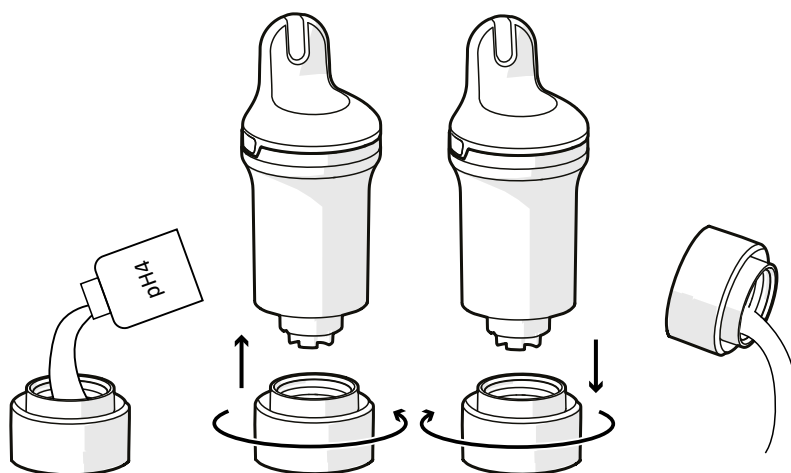
### Calibração da sonda de pH

A calibração da sonda de pH deve ser efetuada uma vez por estação. Um kit de calibração é necessário - contacte o seu revendedor local para mais informações. Não é necessário na primeira instalação.

1. Retire o dispositivo da água, retire a tampa do sensor e lave a sonda com água limpa.



2. Lave o pé de armazenamento com água limpa e seque-o com um pano.
3. Certifique-se de que o Bluetooth® está ativado no seu smartphone. Mantenha-se próximo do seu dispositivo durante todo o processo de calibração.
4. Na aplicação, selecione o produto, procure a secção de calibração da sonda e siga os passos indicados.
5. Coloque a solução de pH4 no pé de armazenamento e aparafuse-o ao dispositivo. Siga as instruções na aplicação.
6. Uma vez terminada a medição do pH4, desaparafuse o pé de armazenamento e lave a sonda. Esvazie, lave com água limpa e enxugue o pé.



7. Repita o passo 5 usando a solução de pH7.



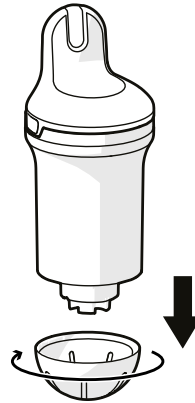
Limpe sempre a sonda e o pé de armazenamento com água limpa depois de utilizar um produto de calibração para evitar misturas.

8. Valide a calibração.
9. Instale a tampa do sensor no Blue Connect e coloque-o de volta na piscina.

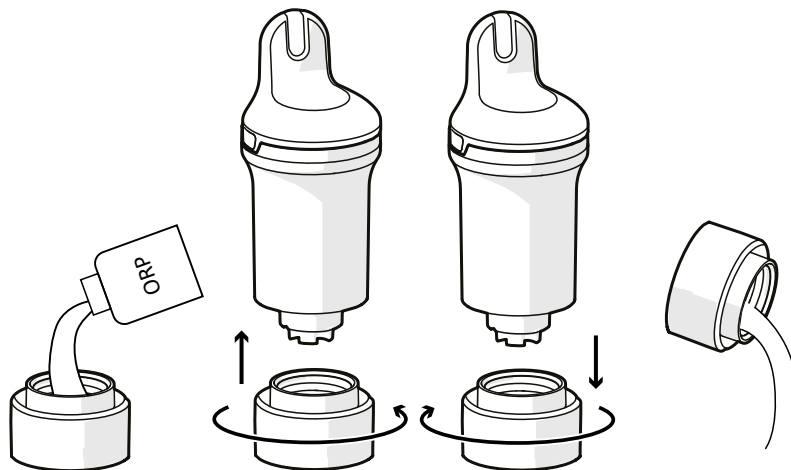
## Calibração da sonda ORP

A calibração da sonda ORP deve ser efetuada uma vez por estação. Um kit de calibração é necessário- contacte o seu revendedor local para mais informações. Não é necessário na primeira instalação.

1. Retire o dispositivo da água, retire a tampa do sensor e lave a sonda com água limpa.



2. Lave o pé de armazenamento com água limpa e seque-o com um pano.
3. Certifique-se de que o Bluetooth® está ativado no seu smartphone. Mantenha-se próximo do seu dispositivo durante todo o processo de calibração.
4. Na aplicação, selecione o produto, procure a secção de calibração da sonda e siga os passos indicados.
5. Coloque a solução ORP no pé de armazenamento e aparafuse-o ao dispositivo. Siga as instruções na aplicação.
6. Uma vez terminada a medição do ORP, desaparafuse o pé de armazenamento e lave a sonda. Esvazie, lave com água limpa e enxugue o pé.



- Limpe sempre a sonda e o pé de armazenamento com água limpa depois de utilizar um produto de calibração para evitar misturas.
- Após a calibração do ORP/redox, a obtenção de medidas corretas pode levar um certo tempo. Aguarde pelo menos 6 horas antes de efetuar uma medição na piscina.

7. Valide a calibração.
8. Instale a tampa do sensor no Blue Connect e coloque-o de volta na piscina.

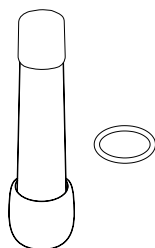
## Substituição da sonda

A sonda tem de ser substituída aproximadamente a cada dois anos. Queira contactar o seu revendedor para obter uma nova sonda.



- Para garantir a máxima longevidade da sonda, mantenha-a durante o maior tempo possível num ambiente húmido. Se o dispositivo for retirado da água, é necessário instalar o pé de armazenamento com KCl (cloreto de potássio saturado), pH4 ou, em último recurso, água da piscina.
- Um pH baixo (dentro dos parâmetros corretos da piscina) aumenta a longevidade da sonda.
- Ao trocar a sonda, certifique-se de que o produto não fica aberto durante muito tempo, uma vez que o dessecante pode absorver a humidade e, uma vez fechado, libertar essa humidade para o produto.

### Kit de Substituição da Sonda

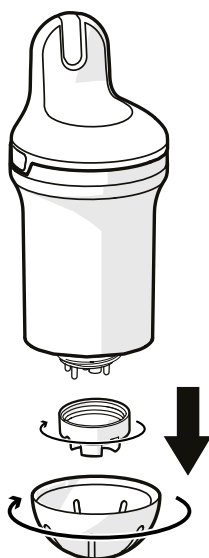


### Instalação



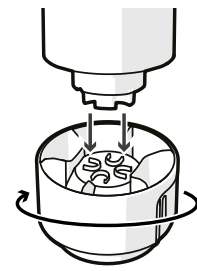
**É altamente recomendável efetuar este procedimento mantendo o produto na vertical para que não entre água no dispositivo.**

1. Na aplicação, selecione o seu produto, procure a secção de substituição da sonda e siga os passos indicados.
2. Retire o Blue Connect da água. Seque o dispositivo com um pano e inicie o procedimento num local seco e limpo.
3. Retire a tampa do sensor e a tampa da sonda.

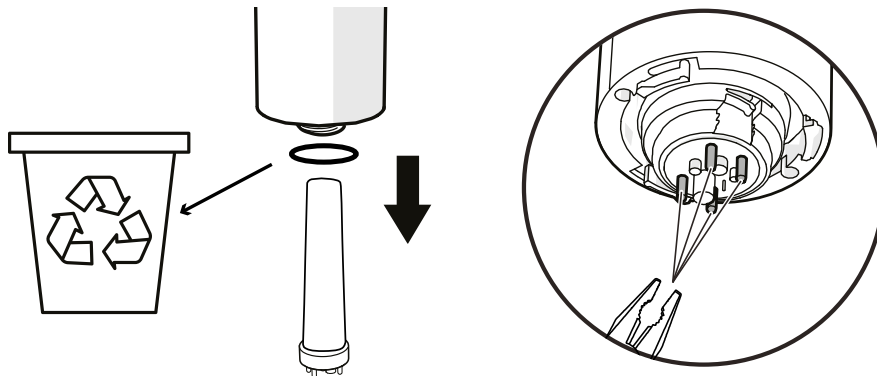




Se necessário, pode utilizar a parte inferior do pé de armazenamento para desparafusar a tampa da sonda.

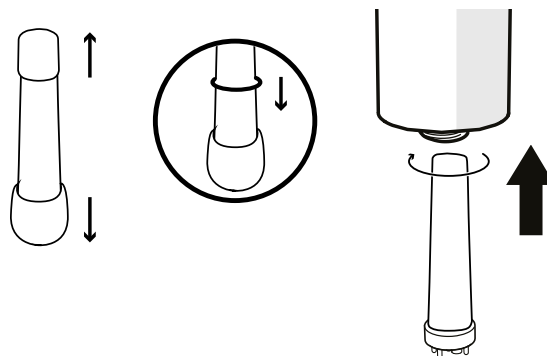


4. Puxe suavemente as quatro pontas de plástico da sonda. Se necessário, pode utilizar cuidadosamente um alicate para retirar a sonda (veja o zoom). Limpe qualquer resíduo de água e mantenha o dispositivo na vertical. Não se esqueça de retirar a junta e eliminá-la (pode estar presa no interior).



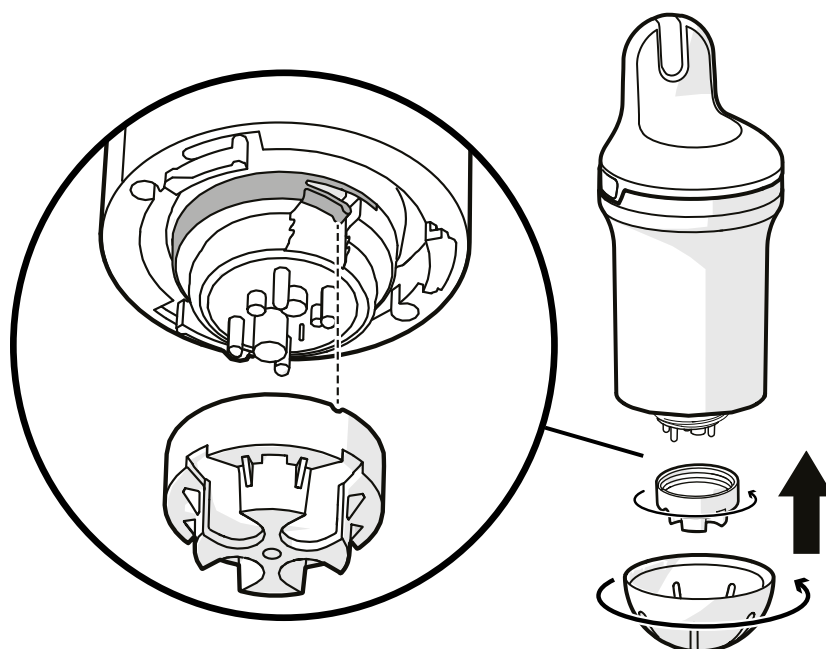
5. Digitalize o código QR da nova sonda.

6. Retire a tampa de proteção da nova sonda. Instale a nova junta na nova sonda. Insira a sonda e rode-a até ficar colocada corretamente.

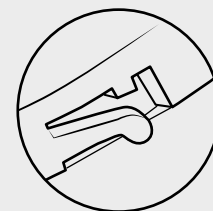


- Tenha cuidado para não deixar cair a sonda, uma vez que é muito frágil.
- NÃO utilize quaisquer ferramentas e NÃO toque nas áreas de deteção da sonda durante a instalação para evitar danificá-la.
- Estes passos devem ser efetuados o mais rapidamente possível para evitar que o dispositivo fique aberto durante muito tempo.

7. Aparafuse a tampa da sonda firmemente no aparelho até encaixar no lugar (veja o zoom). Pode utilizar a parte inferior do pé de armazenamento para apertá-la. Então, instale a tampa do sensor e coloque o Blue Connect de volta na água.



**A tampa da sonda deve ser aparafusada de modo a que a pequena patilha encaixe no lugar, como mostrado. Caso contrário, o produto pode ser danificado.**



O sensor pode demorar algumas horas a estabilizar os seus parâmetros após a sua primeira imersão na piscina.

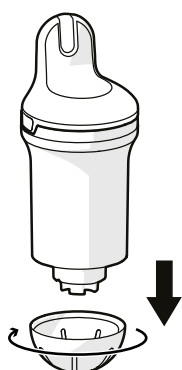
## Invernagem

Para manter o seu dispositivo em boas condições de funcionamento, deve guardá-lo corretamente durante o inverno, colocando-o no modo Inverno. Certifique-se de que está totalmente carregado antes de seguir o procedimento abaixo.

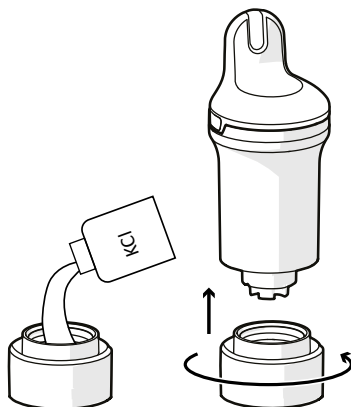
### Modo Inverno

Deve colocar o dispositivo no modo Inverno antes de guardá-lo para o inverno. **O modo Inverno não pode ser ativado se o dispositivo estiver a carregar.**

1. Retire o Blue Connect da água. Retire a tampa do sensor.



2. Certifique-se de que a Internet (Wi-Fi ou 4G) e o Bluetooth® estão ativados no seu smartphone. Mantenha-se próximo do seu dispositivo durante todo o processo de espera.
3. Ponha o dispositivo no modo Inverno- na aplicação, selecione o seu produto, procure o modo Inverno, e siga os passos indicados.
4. Lave o pé de armazenamento com água limpa e seque-o com um pano. Coloque KCl (cloreto de potássio saturado) ou pH4 (ou em último recurso, água) no pé de armazenamento e aparafuse-o.



O KCl presente no pé de armazenamento pode causar a formação de aglomerados de sal na junção com o corpo do dispositivo, mas isso não é perigoso em qualquer caso. Simplesmente lave com água limpa.

5. Valide o modo Inverno e armazene o Blue Connect ao abrigo das geadas.

## Armazenamento

Se precisar de retirar o Blue Connect da piscina durante mais de uma hora, instale o pé de armazenamento com KCl (cloreto de potássio saturado), pH4, ou em último recurso, água da piscina porque a sonda não deve ser deixada a seco.

## Reativação Após Invernagem

Para reativar o Blue Connect após a invernagem, basta ligá-lo à corrente para carregar a bateria. Isto faz com que o dispositivo desperte.

## 7. RESOLUÇÃO DE PROBLEMAS

PROBLEMA	SOLUÇÃO
Falha do emparelhamento	Não confunda letras e números (ex. B e 8, l e 1, etc.) no código de acesso.
As medições não estão corretas.	<ul style="list-style-type: none"> <li>• Verifique a calibração do sensor.</li> <li>• Uma bolha de ar pode falsear as medidas. Deslocar o aparelho lentamente para tentar eliminar as bolhas.</li> </ul>
Medições estranhas (pH e ORP)	A causa pode ser bolhas na sonda. Agite o aparelho sob a água para eliminar as bolhas e volte a medir.
Ao virar o dispositivo ao contrário para verificar o estado, nada acontece.	<ul style="list-style-type: none"> <li>• Vire o dispositivo lentamente, mantendo-o de cabeça para baixo durante pelo menos 1 segundo.</li> <li>• Ligue-o à corrente para carregá-lo.</li> </ul> <p>Se o LED continuar a não se acender, contacte o seu revendedor.</p>
O dispositivo não carrega (nenhum LED azul)	<ul style="list-style-type: none"> <li>• Verifique o seu carregador</li> <li>• Verifique o seu cabo USB-C</li> </ul> <p>Se o dispositivo continuar a não carregar, contacte o seu revendedor.</p>
Quando deseja ligar o seu dispositivo por Bluetooth, o seu dispositivo não é detetado e não aparece na lista de dispositivos.	<ul style="list-style-type: none"> <li>• Certifique-se de que o Bluetooth® está ativado no seu smartphone.</li> <li>• Verifique se o dispositivo não está já ligado a outro smartphone.</li> <li>• Carregue o dispositivo.</li> </ul> <p>Se o dispositivo continuar a não carregar, contacte o seu revendedor.</p>
Não se vê a cor do estado da água depois de virar o produto.	<ul style="list-style-type: none"> <li>• Verifique numa área mais escura ou criando uma sombra com a mão.</li> <li>• Carregue o dispositivo.</li> </ul>
É necessário recarregar o dispositivo com frequência	<ul style="list-style-type: none"> <li>• Verifique a qualidade do sinal Wi-Fi</li> <li>• Tente deixar o dispositivo num local diferente da piscina</li> <li>• Instale um repetidor Wi-Fi perto da sua piscina</li> </ul>
Os dados comunicados estão completamente fora do intervalo	Verifique se a sonda está presente, se a porca está bem aparafusada e se o testemunho de aparafusamento está no lugar.
Condensação aparece na área do LED	Isso é normal e não afeta o funcionamento do produto. A condensação desaparecerá após armazenar corretamente o produto por mais de 6 dias.
O produto não se conecta ao Wi-Fi	Aproximar o produto do roteador Wi-Fi.
Não é possível realizar medições na primeira instalação ou após a invernagem	O sensor está muito seco. Deixe o sensor na água durante 24 horas, depois calibre-o e verifique se está a funcionar corretamente.

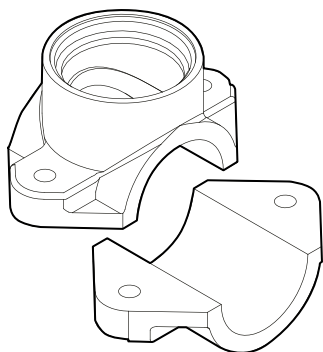
## 8. INTRODUÇÃO AO BLUE FIT 50

O Blue Fit50 é uma abraçadeira de mangueira compatível com o Blue Connect. Permite-lhe instalar o Blue Connect na tubagem da sala técnica.



O Blue Fit50 é um acessório do Blue Connect. É vendido separadamente.

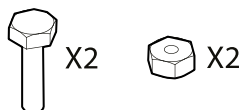
## 9. DESCRIÇÃO DO BLUE FIT50



**Uma abraçadeira de mangueira**



**Uma tampa roscada**



**Dois parafusos e cavilhas**

### Precauções de utilização

- Não deixe o Blue Connect no Blue Fit50 quando não houver água nos tubos.
- Em caso de manipulação no circuito hidráulico (risco de golpe de aríete), é aconselhável retirar o Blue Connect para não danificar o produto.
- Certifique-se de que cria um fluxo suficiente na sua instalação para que o Blue Connect possa tomar medidas.
- Coloque sempre o Blue Connect na vertical com a sonda para baixo.
- Não carregue o Blue Connect quando instalado no Blue Fit50. Retire-o antes de carregá-lo.
- Não carregar o aparelho em permanência. Os valores medidos podem ser erróneos durante a carga

## 10. INSTALAÇÃO DO BLUE FIT50

Certifique-se de que coloca sempre o Blue Fit50 depois do filtro (para não danificar as sondas) e antes do seu sistema de injeção de produtos ou de eletrólise (para não alterar as medidas tomadas pelo Blue Connect).

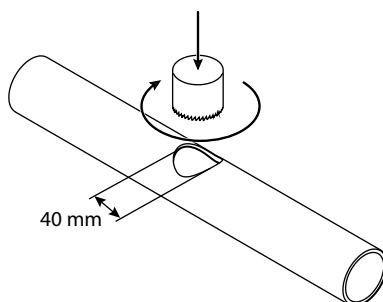
A pressão máxima admissível da água para instalação no tubo é de 300 kPa.

Se necessário, peça conselho ao seu especialista em piscinas em caso de dúvida.

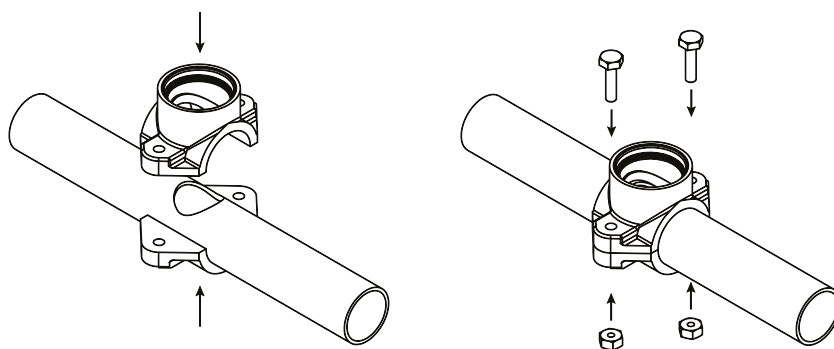
1. Desligue o sistema de filtração.
2. Com uma serra de 40 mm de diâmetro, faça um furo na parte superior do tubo.



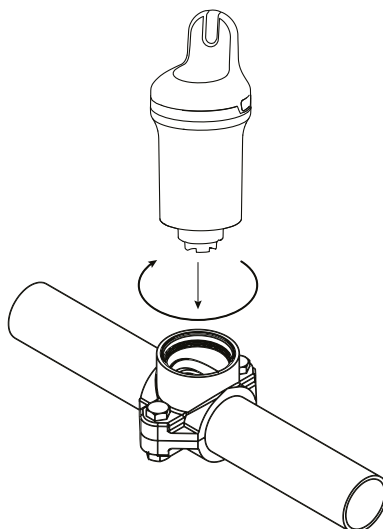
O Blue Connect deve estar na posição vertical, com a sonda para baixo.



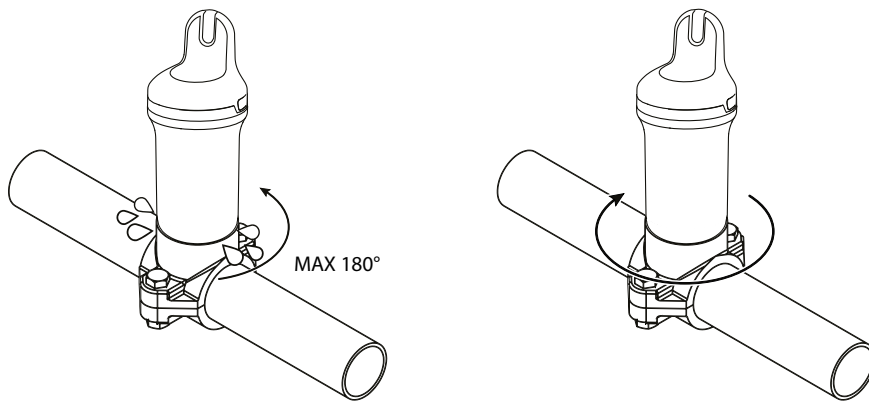
3. Coloque as duas partes da abraçadeira de mangueira em cada lado do tubo, de modo a que os orifícios coincidam, e aparafuse a abraçadeira de mangueira.



4. Aparafuse o Blue Connect na abraçadeira de mangueira. O rebordo superior do Blue Connect deve estar paralelo ao tubo.



5. Ligue o sistema de filtração.
6. Desaparafuse ligeira e lentamente o Blue Connect (máximo  $\frac{1}{2}$  volta) para retirar o ar. Assim que a água sair, significa que já não há ar nos tubos, pelo que pode voltar a apertar bem o Blue Connect.



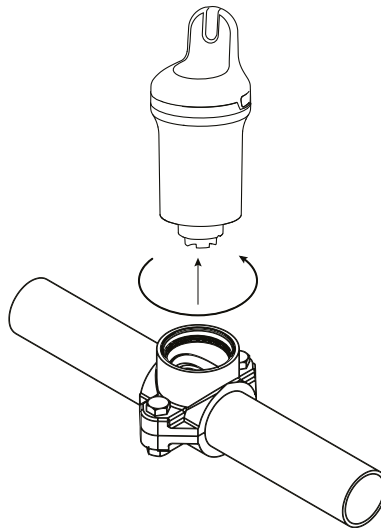
7. Na aplicação, selecione o produto e procure a opção ativar Blue Fit50 e siga as instruções.

## 11. INVERNAGEM DO BLUE FIT50

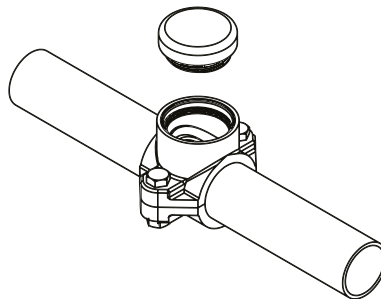
---

Siga este procedimento quando se preparar para guardar o Blue Connect para o inverno.

1. Desligue a bomba do filtro, feche as válvulas e desaparafuse o Blue Connect.



2. Feche a abraçadeira de mangueira com a tampa fornecida na caixa do Blue Fit50.



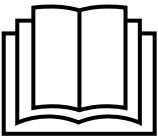
3. Siga o procedimento de Invernagem do Blue Connect (veja [Invernagem, página 116](#)).

## OBSAH

1. ÚVOD K BLUE CONNECT.....	123
Přehled.....	123
2. POPIS.....	124
3. INSTALACE APLIKACE.....	125
Stažení aplikace.....	125
4. INSTALACE BLUE CONNECT .....	125
Nabíjení.....	125
Spárování s aplikací.....	126
Instalace.....	127
5. STAVOVÁ KONTROLKA.....	128
6. ÚDRŽBA.....	129
Kalibrace pH sondy.....	129
Kalibrace sondy ORP .....	130
Výměna sondy.....	131
Zazimování .....	133
7. ŘEŠENÍ PROBLÉMŮ .....	135
8. ÚVOD K BLUE FIT50.....	136
9. POPIS BLUE FIT50 .....	136
Bezpečnostní opatření k použití.....	136
10. INSTALACE BLUE FIT50 .....	137
11. Zazimování BLUE FIT50 .....	138



**Recyklace** Tento symbol je vyžadován evropskou směrnicí OEEZ 2012/19/EU (směrnice o odpadních elektrických a elektronických zařízeních) a znamená, že váš spotřebič nesmí být vyhozen do běžného odpadu. Bude selektivně vybráno pro účely opětovného použití, recyklace nebo transformace. Pokud obsahuje látky, které mohou být škodlivé pro životní prostředí, tyto budou odstraněny nebo neutralizovány. Více informací o recyklaci získáte u svého prodejce.



- Před použitím zařízení je důležité přečíst si bezpečnostní upozornění a záruční informace dodané s výrobkem. Pokud tak neučiníte, může to mít za následek vážné nebo smrtelné zranění, poškození materiálu a ztrátu záruky.
- Tyto dokumenty si uschovejte a předejte je k pozdějšímu použití po celou dobu životnosti zařízení.
- Šíření nebo jakékoliv úpravy tohoto dokumentu jsou bez předchozího povolení výrobce zakázány.
- Výrobce neustále vyvíjí své výrobky s cílem zlepšit jejich kvalitu. Výrobce si vyhrazuje právo zcela nebo částečně změnit vlastnosti výrobku nebo obsah tohoto dokumentu bez předchozího upozornění.

## 1. ÚVOD K BLUE CONNECT

---

Analyzátor Blue Connect nepřetržitě měří klíčové parametry vašeho bazénu (teplota, pH, chlor, vodivost). Informuje vás také o venkovní teplotě a počasí na základě vaší zeměpisné polohy. O výsledcích této analýzy jste pak informováni prostřednictvím oznámení aplikace Fluidra Pool (k dispozici pro chytré telefony a tablety, kompatibilní se systémy Android™ a iOS). Pokud zařízení zjistí, že některý z parametrů není správný, obdržíte upozornění a informace o nápravných opatřeních, která je třeba provést k regulaci a stabilizaci tohoto parametru, aby byla zachována zdravá a vyvážená kvalita vody.

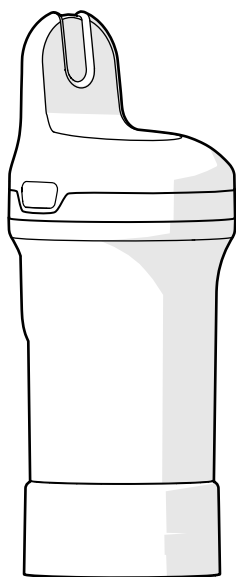
### Přehled

Měřené hodnoty analyzátoru Blue Connect:

- **Teplota vody** (°C): Měří teplotu vody. Zvýšená teplota snižuje účinnost chloru a podporuje rozvoj mikroorganismů.
- **pH** (potenciál vodíku): Měří kyselý nebo zásaditý charakter vody. pH přispívá k účinnosti dezinfekčního prostředku.
- **ORP/REDOX** (oxidačně-redukční potenciál / redoxní potenciál): Parametry ORP nebo REDOX měří oxidační schopnost vody v mV. Poskytuje informace o dezinfekční síle vody.
- **Vodivost** (μS): Měří koncentraci anorganických solí ve vodě podle její schopnosti vést elektrický proud (v závislosti na modelu).
- **Salinita** (g/l): Měří koncentraci soli rozpuštěné ve vodě (v závislosti na modelu).

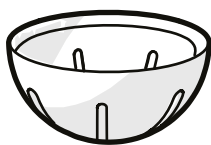
## 2. POPIS

---



**Blue Connect** – Dodává se s nasazenou úložnou základnou, která chrání sondu při přepravě. Sonda je ponořena do KCl (nasyceného chloridu draselného), což zajišťuje její ochranu.

**Úložná základna** – Slouží k přepravě sondy mimo vodu nebo k udržení ponořených snímačů během delšího skladování (například při nabíjení nebo v zimě).

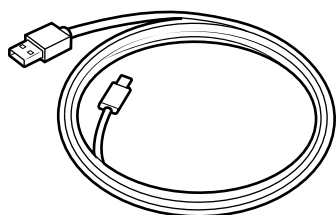


**Uzávěr snímače** – Musí být vždy nasazen na zařízení před umístěním do vody. Chrání snímače před poškozením.



**Šňůra** – Slouží k upevnění zařízení k upevňovacímu bodu (volitelné).

K jeho zasunutí do otvoru na boku výrobku bude možná nutné použít malé kleště.

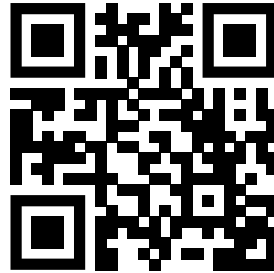


**Kabel USB-C** – Slouží k nabíjení.

### 3. INSTALACE APLIKACE

#### Stažení aplikace

Stáhněte si aplikaci Fluidra Pool a podle pokynů si vytvořte účet a nastavte bazén.



### 4. INSTALACE BLUE CONNECT

Ke zprovoznění služby Blue Connect je třeba provést následující kroky:

- Nabijte zařízení
- Spárujte zařízení s aplikací Fluidra Pool
- Nainstalujte uzávěr snímače a vložte jej do bazénu.

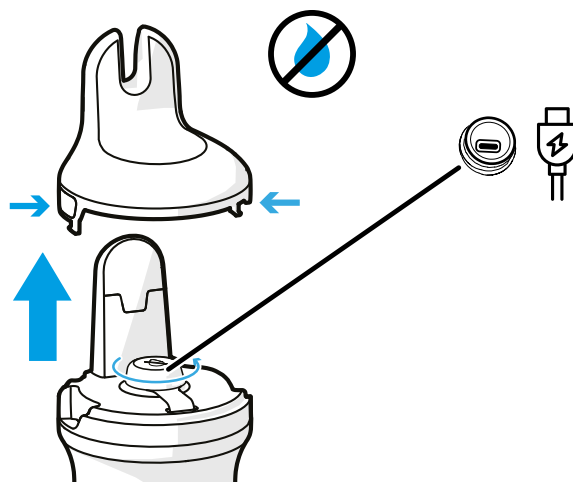
#### Nabíjení



- Před použitím je třeba zařízení plně nabít. Vždy jej nabíjejte ve svislé poloze pomocí úložné základny naplněné roztokem KCL nebo vodou.
- Během nabíjení mohou být naměřeny nesprávné hodnoty (pH, ORP). Tyto hodnoty naměřené během nabíjení neberte v úvahu.

Nabíjení zařízení Blue Connect:

1. **Blue Connect důkladně vysušte** a poté sundejte horní kryt jeho stisknutím na obou stranách a vytažením nahoru.
2. Odšroubujte krytku nabíjecího portu a připojte kabel USB-C k zařízení a ke zdroji napájení pro nabíjení.

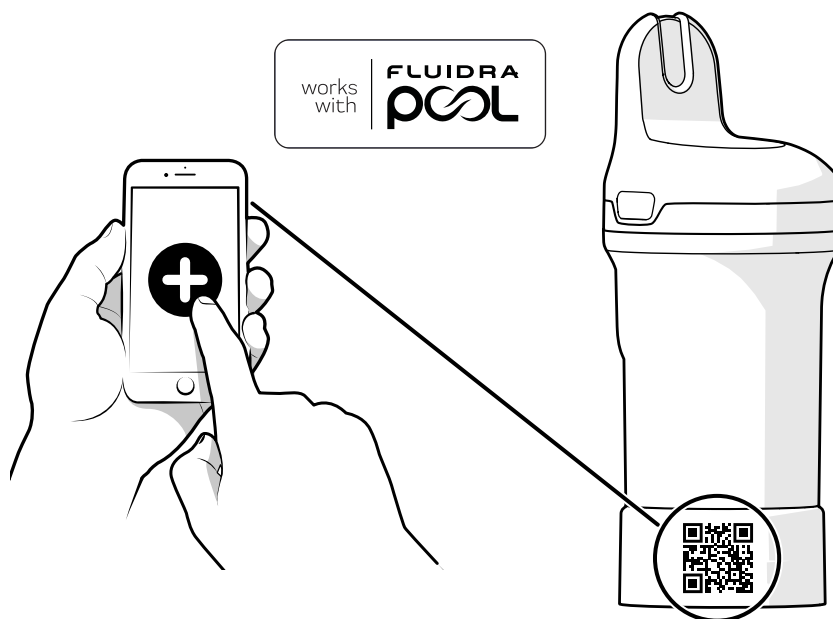


**Nabíjecí port musí být před nabíjením suchý. S těmito předměty manipulujte suchýma rukama na suchém místě.**

3. Po nabití **řádně zavřete nabíjecí port** a nasadte zpět horní část zařízení Blue Connect.

## Spárování s aplikací

Otevřete aplikaci Fluidra Pool a kliknutím na tlačítko **Přidat zařízení** spárujte zařízení Blue Connect. QR kód, který se používá ke spárování, se nachází na úložné patce a pod horním krytem, který se při nabíjení sejme.

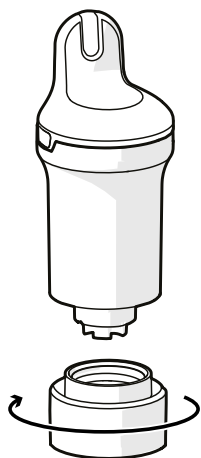


Po připojení k aplikaci budete v aplikaci informováni o dostupnosti aktualizací firmwaru. Při aktualizaci produktu postupujte podle pokynů v aplikaci.

## Instalace

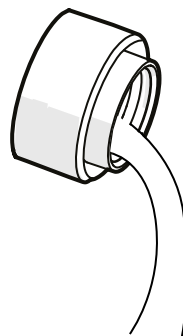
Před použitím je nutné sundat úložnou základnu a nasadit krytku snímače.

1. Postavte zařízení Blue Connect do svislé polohy a odšroubujte úložnou základnu.

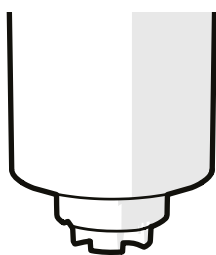


2. Vyprázdněte úložnou základnu a vypláchněte ji čistou vodou. Odložte ji stranou.

**POZNÁMKA:** Úložnou základnu uschovejte na bezpečném místě k pozdějšímu použití.



3. Opláchněte sondu v čisté vodě.

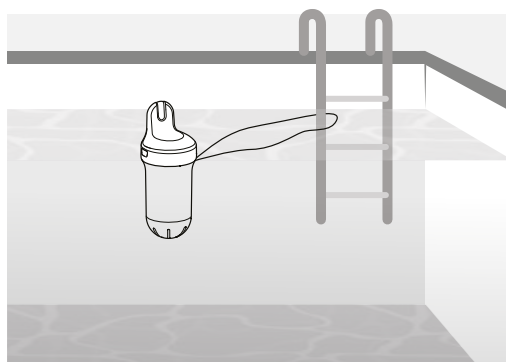


4. Našroubujte krytku snímače, aby byly sondy chráněné.



5. Vložte zařízení Blue Connect do bazénu a nechte ho plavat ve vodě. V případě potřeby jej můžete zajistit připevněním za upevňovací bod pomocí šňůry.

Ujistěte se, že je zařízení ve svislé poloze a jeho horní část je mimo vodu, aby byla umožněna správná komunikace.

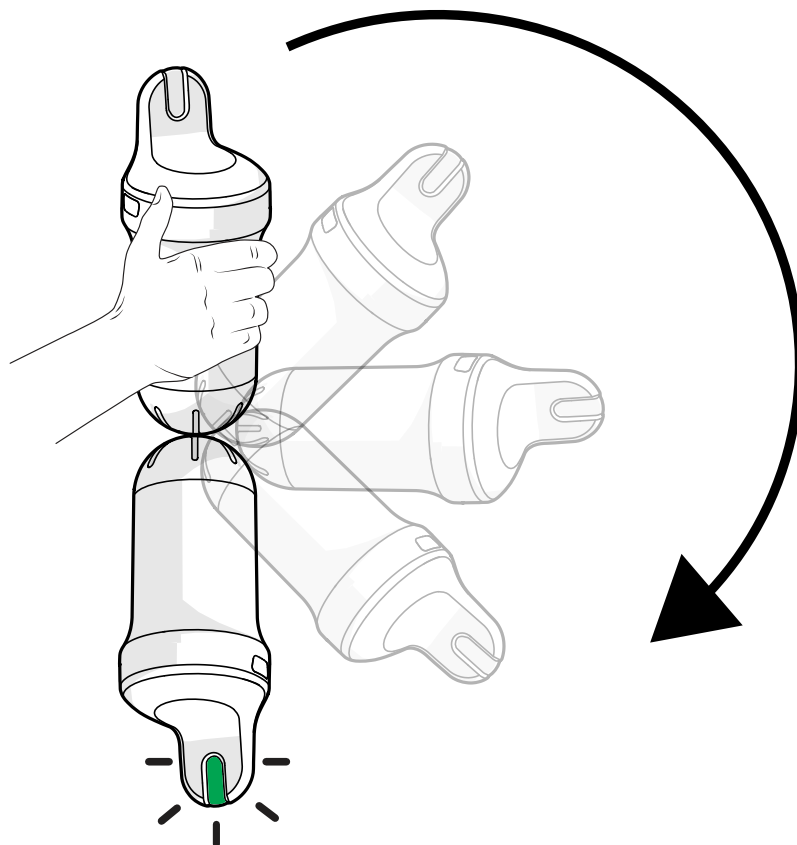


**U bazénů s krytem se nedoporučuje používat šňůru k zajištění Blue Connect při zavírání krytu bazénu. V případě zajištění šňůrou může dojít k ponoření zařízení do vody a ztrátě konektivity.**

## 5. STAVOVÁ KONTROLKA

Kontrolka na zařízení poskytuje informace o kvalitě vody, stavu baterie a nabíjení.

Chcete-li zkontrolovat stav vody/baterie přímo na zařízení (místo hledání v aplikaci), vyjměte jej z vody a otočte jej dnem vzhůru, jak je znázorněno na obrázku. V poloze vzhůru nohama ji musíte držet alespoň 1 sekundu. Zařízení Blue Connect vydá zvukový signál a rozsvítí se kontrolka (viz tabulka stavu kontrolky níže).



STAV	STAVOVÁ KONTROLKA / ZVUKOVÝ SIGNÁL	POPIS
Nabíjení	Pomalé blikání modře / 1 pípnutí	Nabíjení
	Stálá modrá	Nabito (plně)
Není aktivováno	Vypnutá	Zařízení není aktivováno
Rychlá kontrola stavu (viz vysvětlení níže)	3 červená bliknutí / 3 pípnutí	Nízký stav baterie
	Stálá zelená 5 s / 1 pípnutí	Voda je v pořádku
	Stálá oranžová 5 s / 1 pípnutí	Voda není v pořádku (je třeba zkontrolovat a upravit kvalitu vody. Další informace najdete v aplikaci Fluidra Pool.)
	Stálá bílá 5 s / 1 pípnutí	Žádný stav vody, zařízení zapnuto
Aktualizace firmwaru	Rychlé blikání modře / 1 pípnutí	

## 6. ÚDRŽBA

Všechny postupy údržby je nutné provádět pomocí aplikace Fluidra Pool.

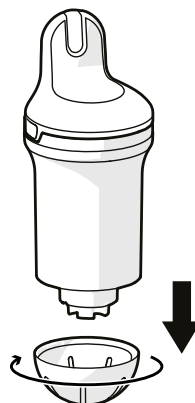


- Kalibrační produkty jsou určeny pouze k jednorázovému použití. Nikdy je nepoužívejte dvakrát. obraťte se na svého prodejce, aby vám poskytl nový.
- Kalibrace se nesmí provádět během nabíjení zařízení.

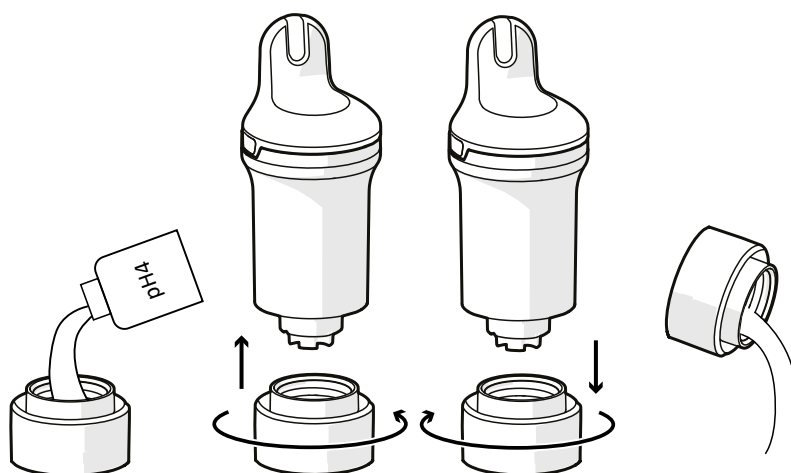
### Kalibrace pH sondy

Kalibraci pH sondy provádějte jednou za sezónu. Je k tomu nutná kalibrační sada – další informace získáte u místního prodejce. Při první instalaci není nutná.

1. Vyjměte zařízení z vody, sundejte kryt senzoru a opláchněte sondu v čisté vodě.



2. Opláchněte úložnou základnu čistou vodou a otřete ji do sucha.
3. Ujistěte se, že máte v chytrém telefonu zapnuto Bluetooth®. Po celou dobu kalibrace zůstaňte v blízkosti zařízení.
4. V aplikaci vyberte zařízení, vyhledejte část Kalibrace sondy a postupujte podle pokynů.
5. Vložte roztok pH4 do úložné základny a přišroubujte ji k zařízení. Postupujte podle pokynů v aplikaci.
6. Po dokončení měření pH4 odšroubujte úložnou základnu a sondu opláchněte. Vyprázdněte ji, opláchněte čistou vodou a otřete.



7. Opakujte krok 5 s použitím roztoku pH7.



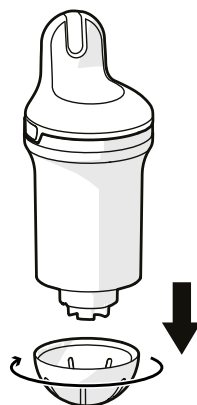
Po použití kalibračního produktu vždy očistěte sondu a úložnou patku čistou vodou, aby nedošlo k jejich smísení.

8. Ověřte kalibraci.
9. Nasadte krytku snímače na Blue Connect a vložte jej zpět do bazénu.

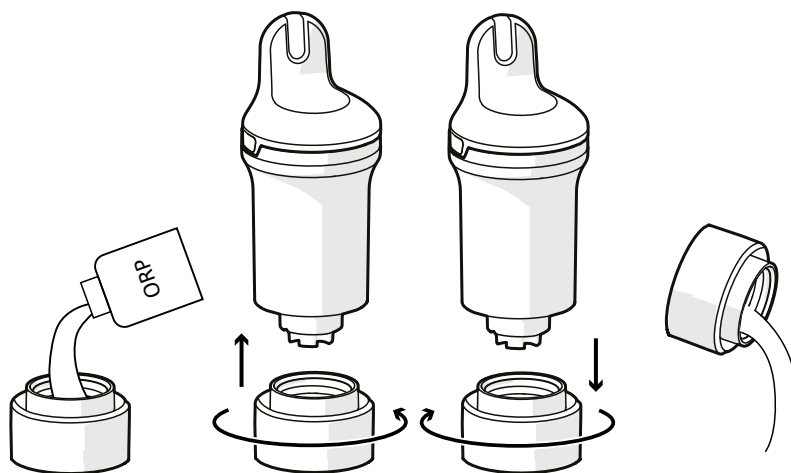
## Kalibrace sondy ORP

Kalibrace sondy ORP provádějte jednou za sezónu. Je k tomu nutná kalibrační sada – další informace získáte u místního prodejce. Při první instalaci není nutná.

1. Vyjměte zařízení z vody, sundejte kryt senzoru a opláchněte sondu v čisté vodě.



2. Opláchněte úložnou základnu čistou vodou a otřete ji do sucha.
3. Ujistěte se, že máte v chytrém telefonu zapnuto Bluetooth®. Po celou dobu kalibrace zůstaňte v blízkosti zařízení.
4. V aplikaci vyberte zařízení, vyhledejte část Kalibrace sondy a postupujte podle pokynů.
5. Vložte roztok ORP do úložné základny a přišroubujte ji k zařízení. Postupujte podle pokynů v aplikaci.
6. Po dokončení měření ORP odšroubujte úložnou základnu a sondu opláchněte. Vyprázdněte ji, opláchněte čistou vodou a otřete.



- Po použití kalibračního produktu vždy očistěte sondu a úložnou patku čistou vodou, aby nedošlo k jejich smísení.
- Po kalibraci ORP/redox může nějakou dobu trvat, než získáte správná měření. Před měřením v bazénu počkejte alespoň 6 hodin.

7. Ověřte kalibraci.

8. Nasadte krytku snímače na Blue Connect a vložte jej zpět do bazénu.

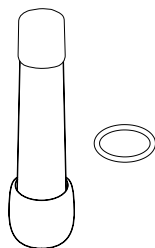
## Výměna sondy

Sondu je třeba vyměnit přibližně každé dva roky. Obráťte se na svého prodejce, aby vám poskytl novou sondu.



- Chcete-li zajistit maximální životnost sondy, uchovávejte ji co nejdéle ve vlhkém prostředí. Pokud zařízení vyjmete z vody, je nutné nainstalovat úložnou základnu s KCl (nasyčeným chloridem draselným), pH4 nebo v krajním případě s bazénovou vodou.
- Nízké pH (v rámci správných parametrů bazénu) zvyšuje životnost sondy.
- Při výměně sondy dbejte na to, aby výrobek nezůstal otevřený příliš dlouho, protože vysoušedlo může absorbovat vlhkost a po uzavření výrobku ji uvolnit do výrobku.

### Sada pro výměnu sondy

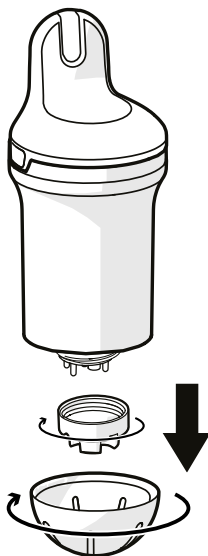


### Instalace



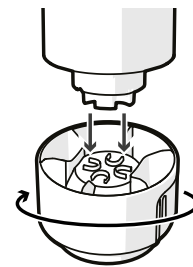
**Důrazně doporučujeme provádět tento postup ve svislé poloze zařízení, aby se do něj nedostala voda.**

1. V aplikaci vyberte vaše zařízení, vyhledejte část Výměna sondy a postupujte podle pokynů.
2. Vytáhněte zařízení Blue Connect z vody. Otřete zařízení do sucha a začněte postup na suchém a čistém místě.
3. Sundejte kryt snímače a kryt sondy.

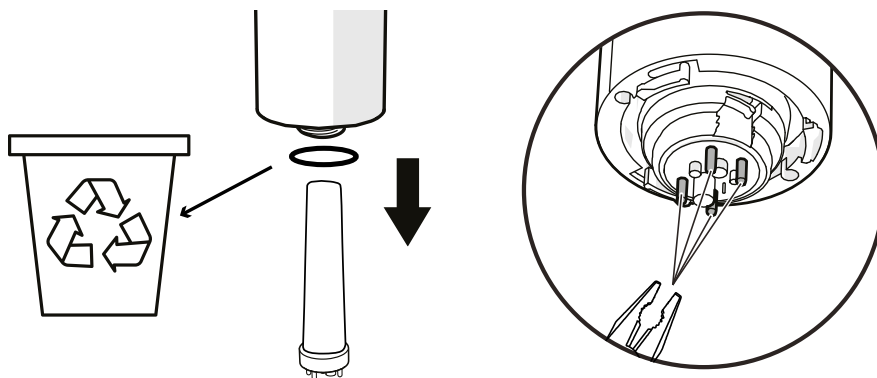




V případě potřeby můžete spodní stranou úložné základny odšroubovat kryt sondy.

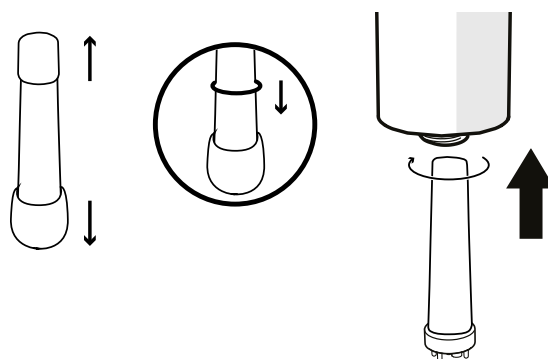


4. Jemně zatáhněte za čtyři plastové hroty sondy. V případě potřeby můžete sondu opatrně vyjmout pomocí kleští (viz zvětšení). Otřete zbytky vody a udržujte zařízení ve svislé poloze. Nezapomeňte odstranit těsnění a zlikvidovat ho (může být i zbylé uvnitř).



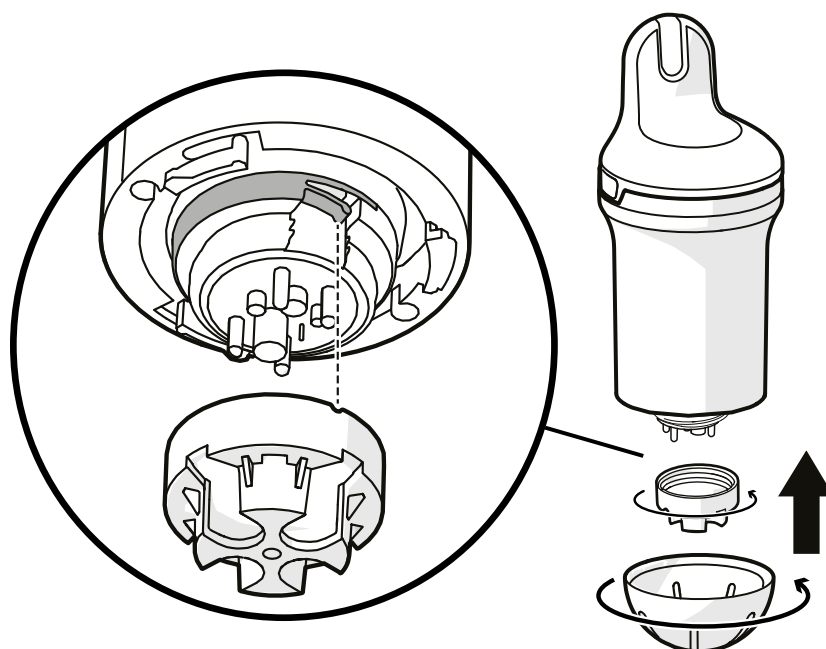
5. Naskenujte QR kód nové sondy.

6. Odstraňte ochranný kryt nové sondy. Nasaďte nové těsnění na novou sondu. Vložte sondu a otáčejte s ní, dokud nebude správně umístěna.

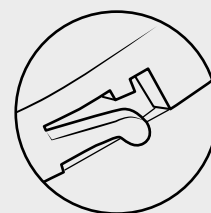


- Dávejte pozor, abyste sondu neupustili, protože je velmi křehká.
- Při instalaci **NEPOUŽÍVEJTE** žádné nástroje a **NEDOTÝKEJTE** se snímacích oblastí sondy, aby nedošlo k jejímu poškození.
- Tyto kroky proveďte co nejdříve, aby zařízení nebylo otevřené příliš dlouho.

7. Pevně našroubujte kryt sondy na zařízení, dokud nezapadne na své místo (viz zvětšení). K utažení můžete použít spodní stranu úložné základny. Poté namontujte uzávěr snímače a vložte zařízení Blue Connect zpět do vody.



**Kryt sondy musí být našroubován tak, aby malý jazýček zapadl na místo, jak je znázorněno na obrázku. V opačném případě může dojít k poškození výrobku.**



Po prvním ponoření do bazénu může trvat několik hodin, než se parametry snímače ustálí.

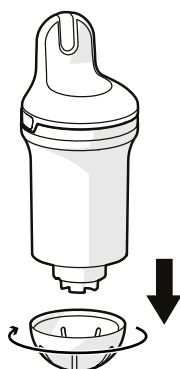
## Zazimování

Chcete-li udržet zařízení v dobrém provozním stavu, musíte jej na zimu správně uskladnit tak, že jej přepnete do zimního režimu. Před následujícím postupem se ujistěte, že je plně nabitě.

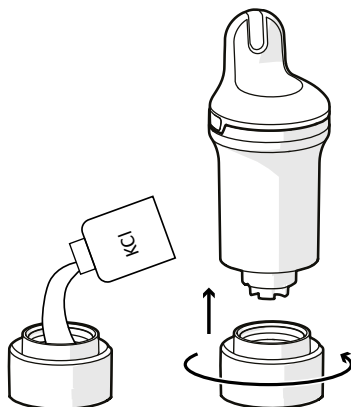
### Zimní režim

Před uložením zařízení na zimu je nutné jej přepnout do zimního režimu. **Zimní režim nelze aktivovat, pokud se zařízení nabíjí.**

1. Vyjměte zařízení Blue Connect z vody. Sundejte krytku snímače.



2. Ujistěte se, že máte v chytrém telefonu zapnutý internet (Wi-Fi nebo 4G) a Bluetooth®. Po celou dobu pohotovostního režimu zůstaňte v blízkosti zařízení.
3. Přepněte zařízení do zimního režimu – v aplikaci vyberte svůj produkt, vyhledejte zimní režim a postupujte podle pokynů.
4. Opláchněte úložnou základnu čistou vodou a otřete ji. Do úložné základny vložte KCl (nasycený chlorid draselný) nebo pH4 (nebo v krajním případě vodu) a zašroubujte ji.



KCl přítomný v úložné základně může způsobit tvorbu aglomerované soli v místě spoje s tělem přístroje, ale to není v žádném případě nebezpečné. Stačí opláchnout čistou vodou.

5. Potvrďte zimní režim a uložte zařízení Blue Connect na místo chráněné před mrazem.

## Skladování

Pokud potřebujete Blue Connect vyjmout z bazénu na dobu delší než jedna hodina, nainstalujte úložnou základnu s KCl (nasyceným chloridem draselným), pH4 nebo v krajním případě s bazénovou vodou, protože sonda nesmí uschnout.

## Opětovná aktivace po zazimování

Chcete-li systém Blue Connect po zazimování znovu aktivovat, jednoduše jej připojte k nabíječce. Tím se zařízení probudí.

## 7. ŘEŠENÍ PROBLÉMŮ

PROBLÉM	ŘEŠENÍ
Párování se nezdařilo	Dejte si pozor, abyste v přístupovém kódu nezaměnili podobná písmena a číslice (např. B a 8, l a 1 atd.).
Měření nejsou správná.	<ul style="list-style-type: none"> <li>Zkontrolujte kalibraci snímače.</li> <li>Měření může být zkreslené vzduchovou bublinou. Zařízení pomalu přemístěte a snažte se bubliny odstranit.</li> </ul>
Zvláštní měření (pH a ORP)	Příčinou mohou být bublinky na sondě. Zatřeptejte přístrojem pod vodou, abyste se zbavili bublinek, a zopakujte měření.
Otočíte zařízení vzhůru nohama, abyste zkontrolovali stav, a nic se nestane.	<ul style="list-style-type: none"> <li>Zařízení otočte pomalu a nezapomeňte ho držet vzhůru nohama alespoň 1 sekundu.</li> <li>Zapojte zařízení do zásuvky a nabijte jej.</li> </ul> <p>Pokud se kontrolka stále nerozsvítí, obraťte se na prodejce.</p>
Zařízení se nenabíjí (nesvítí modrá kontrolka)	<ul style="list-style-type: none"> <li>Zkontrolujte nabíječku</li> <li>Zkontrolujte kabel USB-C</li> </ul> <p>Pokud se zařízení stále nenabíjí, obraťte se na prodejce.</p>
Když chcete připojit zařízení přes Bluetooth, zařízení není detekováno a nezobrazí se v seznamu dostupných zařízení.	<ul style="list-style-type: none"> <li>Zkontrolujte, zda je v chytrém telefonu zapnuté Bluetooth</li> <li>Zkontrolujte, zda zařízení již není připojeno k jinému chytrému telefonu.</li> <li>Nabijte zařízení</li> </ul> <p>Pokud se zařízení stále nenabíjí, obraťte se na prodejce.</p>
Po otočení zařízení nevidíte barvu stavu vody.	<ul style="list-style-type: none"> <li>Zkontrolujte ji na tmavším místě nebo si udělejte rukou stín.</li> <li>Nabijte zařízení</li> </ul>
Zařízení musíte často dobíjet	<ul style="list-style-type: none"> <li>Zkontrolujte sílu signálu Wi-Fi</li> <li>Zkuste zařízení ponechat na jiném místě v bazénu.</li> <li>Nainstalujte Wi-Fi opakovač v blízkosti bazénu</li> </ul>
Zobrazované údaje jsou zcela mimo rozsah	Zkontrolujte, zda je sonda přítomna, zda je matice pevně našroubována a zda je šroubovací svědek na svém místě.
Kondenzace se objevuje v oblasti LED	Je to normální a neovlivňuje to funkci produktu. Kondenzace zmizí po správném skladování produktu po dobu více než 6 dnů.
Produkt se nepřipojuje k Wi-Fi	Přesuňte produkt blíže k Wi-Fi routeru.
Při první instalaci nebo po zazimování zařízení neměří	Snímač je příliš suchý. Nechte senzor 24 hodin ve vodě a poté proveďte kalibraci a zkontrolujte, zda senzor funguje správně.

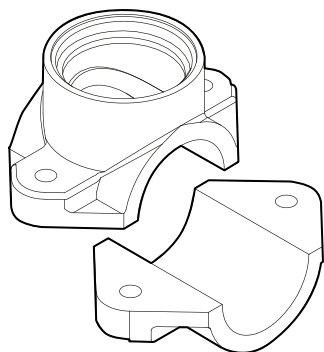
## 8. ÚVOD K BLUE FIT50

Blue Fit50 je hadicová svorka kompatibilní se zařízením Blue Connect. Umožňuje instalovat Blue Connect na potrubí v technické místnosti.



Svorka Blue Fit50 je příslušenství k Blue Connect. Prodává se samostatně.

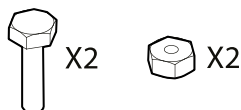
## 9. POPIS BLUE FIT50



**Jedna hadicová svorka**



**Jeden uzávěr se závitem**



**Dva šrouby a dvě západky**

### Bezpečnostní opatření k použití

- Nenechávejte zařízení Blue Connect na zařízení Blue Fit50, pokud v potrubí není voda.
- Při manipulaci na hydraulickém okruhu (riziko vodního rázu) se doporučuje odstranit Blue Connect, aby nedošlo k poškození výrobku.
- Ujistěte se, že jste v instalaci vytvořili dostatečný průtok, aby systém Blue Connect mohl přijmout potřebná opatření.
- Zařízení Blue Connect vždy umísťujte ve svislé poloze sondou dolů.
- Pokud je zařízení Blue Connect nainstalováno na zařízení Blue Fit50, nenabíjejte je. Před nabíjením jej vyjměte.
- Zařízení nenabíjejte nepřetržitě. Během nabíjení mohou být naměřené hodnoty nesprávné.

## 10. INSTALACE BLUE FIT50

Dbejte na to, abyste zařízení Blue Fit50 vždy umístili za filtr (aby nedošlo k poškození sond) a před systémem vstřikování produktu nebo elektrolýzu (aby nedošlo ke změně opatření prováděných systémem Blue Connect).

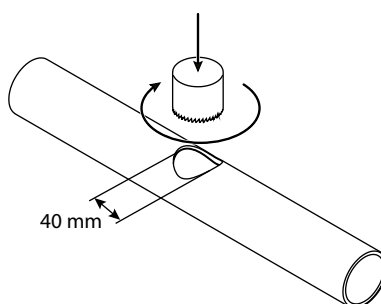
Maximální přípustný tlak vody pro instalaci v potrubí je 300 kPa.

V případě potřeby požádejte o radu odborníka na bazény.

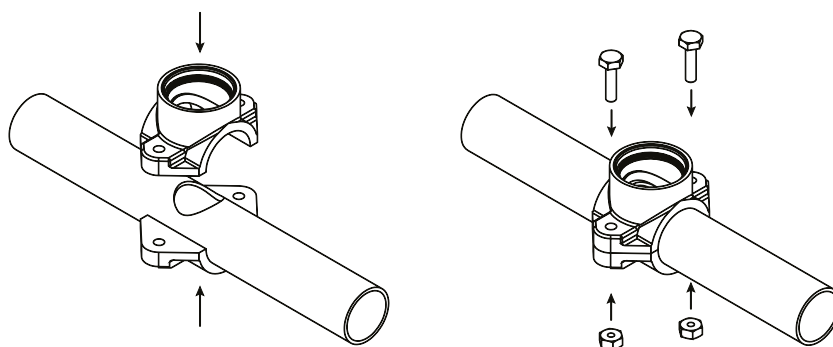
1. Vypněte filtrační systém.
2. Pomocí vrtáku o průměru 40 mm vyvrtejte v horní části trubky otvor.



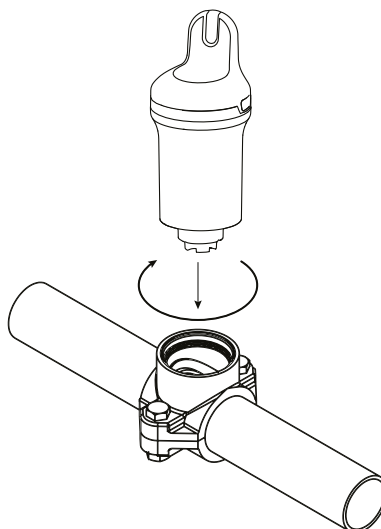
Blue Connect musí být ve svislé poloze, sondou směrem dolů.



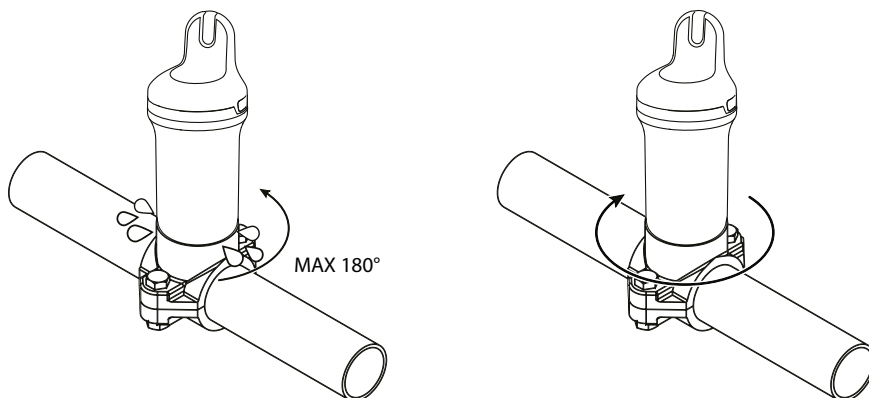
3. Umístěte obě části hadicové svorky na obě strany trubky tak, aby se otvory zarovnal k sobě, a hadicovou svorku zašroubujte.



4. Přišroubujte zařízení Blue Connect na hadicovou svorku. Horní okraj systému Blue Connect by měl být rovnoběžný s trubkou.



5. Zapněte filtrační systém.
6. Mírně a pomalu vyšroubujte zařízení Blue Connect (maximálně o ½ otáčky), abyste odstranili veškerý vzduch. Jakmile voda vytéká, znamená to, že v potrubí nezůstal žádný vzduch, a pak můžete opět pevně utáhnout zařízení Blue Connect.

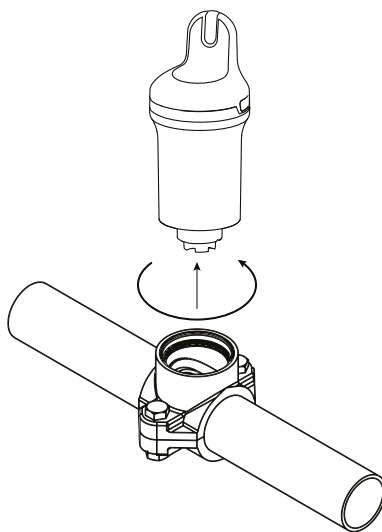


7. V aplikaci vyberte produkt, vyhledejte možnost aktivace Blue Fit50 a postupujte podle pokynů.

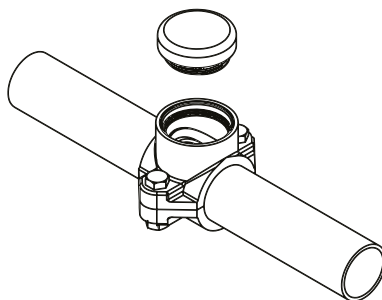
## 11. Zazimování BLUE FIT50

Při přípravě na zimní uskladnění zařízení Blue Connect postupujte podle tohoto postupu.

1. Vypněte filtrační čerpadlo, zavřete ventily a odšroubujte přípojku Blue Connect.



2. Uzavřete hadicovou svorku uzávěrem, který je součástí balení Blue Fit50.



3. Postupujte podle postupu pro zazimování Blue Connect (viz oddíl [Zazimování, strana 133](#)).

# INNEHÅLLSFÖRTECKNING

1. BLUE CONNECT – INLEDNING .....	140
Översikt .....	140
2. BESKRIVNING .....	141
3. INSTALLERA APPEN .....	142
Ladda ned appen .....	142
4. INSTALLERA BLUE CONNECT .....	142
Ladda .....	142
Parkoppla med appen .....	143
Installera .....	144
5. STATUS-LED .....	145
6. UNDERHÅLL .....	146
Kalibrera pH-sonden .....	146
Kalibrera ORP-sonden .....	147
Byta sond .....	148
Vinterförvaring.....	150
7. FELSÖKNING.....	151
8. BLUE FIT50 – INLEDNING .....	153
9. BLUE FIT50 BESKRIVNING .....	153
Säkerhetsföreskrifter vid användning .....	153
10. INSTALLERA BLUE FIT50 .....	154
11. VINTERFÖRVARA BLUE FIT50 .....	155



**Återvinning** Denna symbol krävs enligt EU-direktiv 2012/19/EU om avfall som utgörs av eller innehåller elektrisk och elektronisk utrustning (WEEE) och betyder att din enhet inte får kastas med vanligt hushållsavfall. Den kommer att avfallssorteras för att återanvändas, återvinnas eller omvandlas. Innehåller den ämnen som kan vara skadliga för miljön kommer dessa att elimineras eller neutraliseras. Kontakta din återförsäljare för information om återvinning.



- Innan enheten används är det viktigt att läsa de säkerhetsvarningar och det garantihäfte som levereras med produkten. Underlåtenhet att göra det kan leda till allvarlig eller dödlig personskada och gör att garantin upphör att gälla.
- Spara dessa dokument och för dem vidare för att kunna granskas senare under hela enhetens livstid.
- Det är förbjudet att utan tillverkarens godkännande i förväg på något sätt sprida eller ändra detta dokument.
- För att förbättra kvaliteten utvecklar tillverkaren ständigt sina produkter. Tillverkaren förbehåller sig rätt att utan föregående varning helt eller delvis ändra produktens egenskaper eller innehållet i detta dokument.

## 1. BLUE CONNECT – INLEDNING

---

Blue Connect mäter fortlöpande din pools viktigaste parametrar (temperatur, pH, klorhalt, konduktivitet). Den ger dig även information om utomhustemperatur och väder, baserat på var du geografiskt befinner dig. Resultaten av denna analys förmedlas sedan till dig via meddelanden i Fluidra Pool-appen (finns för smartphone och pektdator kompatibel med Android™ eller iOS). Känner enheten av att någon av parametrarna inte är rätt, får du en varning och information om vilken korrigerande åtgärd som ska vidtas för att reglera och stabilisera denna parameter så att vattenkvaliteten förblir sund och balanserad.

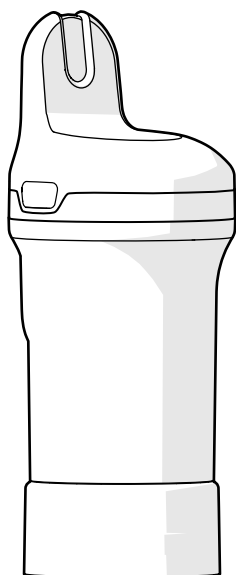
### Översikt

Blue Connect mäter:

- **Vattentemperatur** (°C): Mäter vattentemperatur. Förhöjd temperatur gör klore mindre effektivt och gynnar mikroorganismers utveckling.
- **pH** (surhet): Mäter om vattnet är surt eller basiskt. pH bidrar till desinficeringsmedlets effektivitet.
- **ORP/REDOX** (oxidation-reduktion-potential/redoxpotential): ORP eller REDOX mäter vattnets oxidationsförmåga i mV. Den ger information om vattnets desinfektionsförmåga.
- **Konduktivitet** (µS): Mäter koncentrationen av oorganiska salter i vattnet, genom dess förmåga att leda elektricitet (beroende på modell).
- **Salinitet** (g/l): Mäter koncentrationen av salt löst i vattnet (beroende på modell).

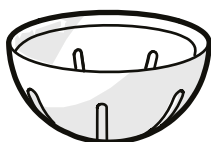
## 2. BESKRIVNING

---



**Blue Connect** – Levereras med förvaringsfoten på för att skydda sonden under transport. Sonden är nedsänkt i KCl (mättad kaliumklorid), som håller den skyddad.

**Förvaringsfot** – Används för att transportera sonden utanför vatten eller för att hålla givarna nedsänkta under längre tids förvaring (till exempel under laddning eller vintertid).

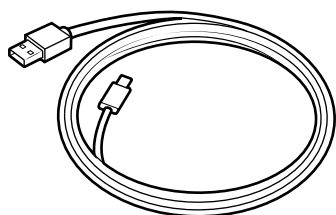


**Givarlock** – Måste alltid sitta monterat på enheten innan den sänks ned i vattnet. Det skyddar givarna från att skadas.



**Snodd** – Används för att fästa enheten vid en fästpunkt (tillval).

Du kanske måste använda en liten tång eller pincett för att föra in den i öppningen på sidan av produkten.

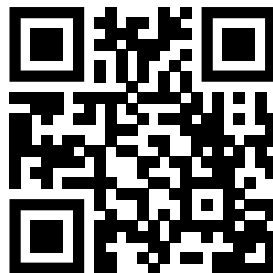


**USB-C-kabel** – Används för att ladda

### 3. INSTALLERA APPEN

#### Ladda ned appen

Ladda ned Fluidra Pool-appen och följ anvisningarna för att skapa ett konto och installera din pool.



### 4. INSTALLERA BLUE CONNECT

Du måste gå igenom följande steg för att Blue Connect ska fungera:

- Ladda enheten,
- Parkoppla enheten med Fluidra Pool-appen
- Montera givarlocket och placera den i poolen

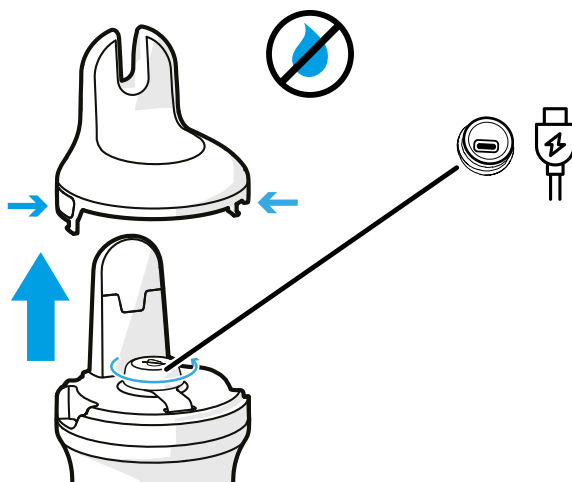
#### Ladda



- Enheten måste laddas helt innan den används. Ladda den alltid i upprätt och lodrätt läge, med hjälp av förvaringsfoten fylld med KCL-lösning eller vatten.
- Under laddning kan uppmätta värden (pH, ORP) vara felaktiga. Ta inte hänsyn till sådana värden under laddning.

Gör så här för att ladda Blue Connect:

1. **Torka av Blue Connect ordentligt** och ta sedan av det övre locket genom att trycka på båda sidor och dra uppåt.
2. Skruva loss locket för laddningsporten och anslut USB-C-kabeln till enheten och till en strömkälla för att ladda.

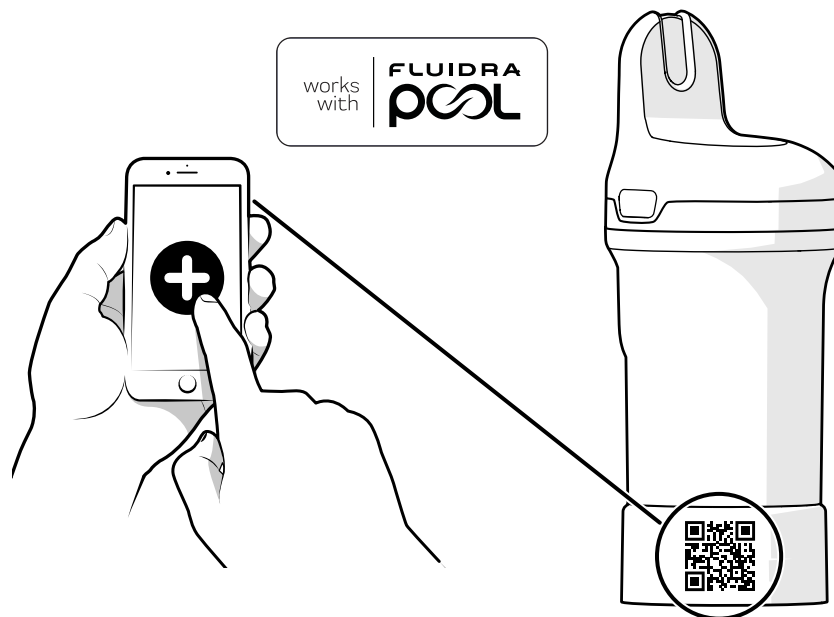


**Laddningsporten måste vara torr före laddning. Hantera med torra händer i ett torrt utrymme.**

3. Efter laddning **stänger du laddningsporten ordentligt** och sätter tillbaka det övre locket på Blue Connect

## Parkoppla med appen

Öppna Fluidra Pool-appen och klicka på **Lägg till utrustning** för att parkoppla med Blue Connect. Den QR-kod som används för parkoppling sitter på förvaringsfoten och under det övre lock som tas bort för att ladda.

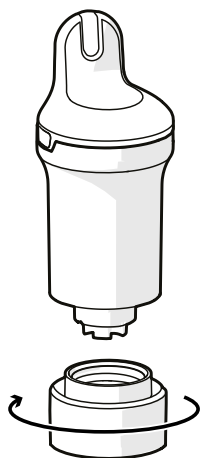


När man väl anslutit till appen får man i denna ett meddelande om det finns någon uppdatering av fast programvara. Följ anvisningarna i appen för att uppdatera din produkt.

## Installera

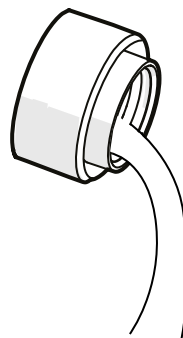
Före användning måste du ta bort förvaringsfoten och montera givarlocket.

1. Håll Blue Connect upprätt och skruva av förvaringsfoten.

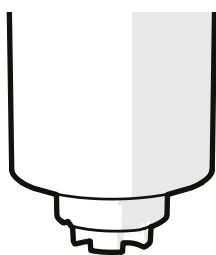


2. Töm förvaringsfoten och skölj i rent vatten. Ställ åt sidan.

**OBS:** Förvara förvaringsfoten på ett säkert ställe för senare bruk.



3. Skölj sonden i rent vatten.

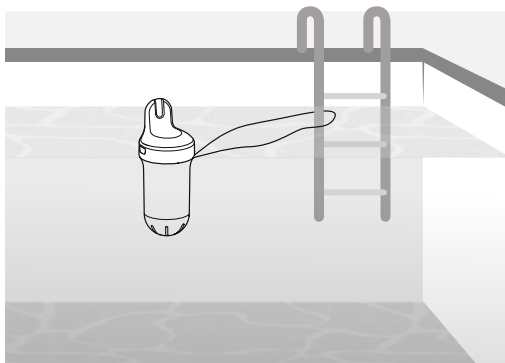


4. Skruva på givarlocket för att skydda sonderna.



5. Placera Blue Connect i poolen och låt den flyta i vattnet. Vid behov kan man fästa den vid en fästpunkt med snodden.

Se till att enheten är lodrät och att den övre delen är över vattenytan, så att det går att kommunicera med den.

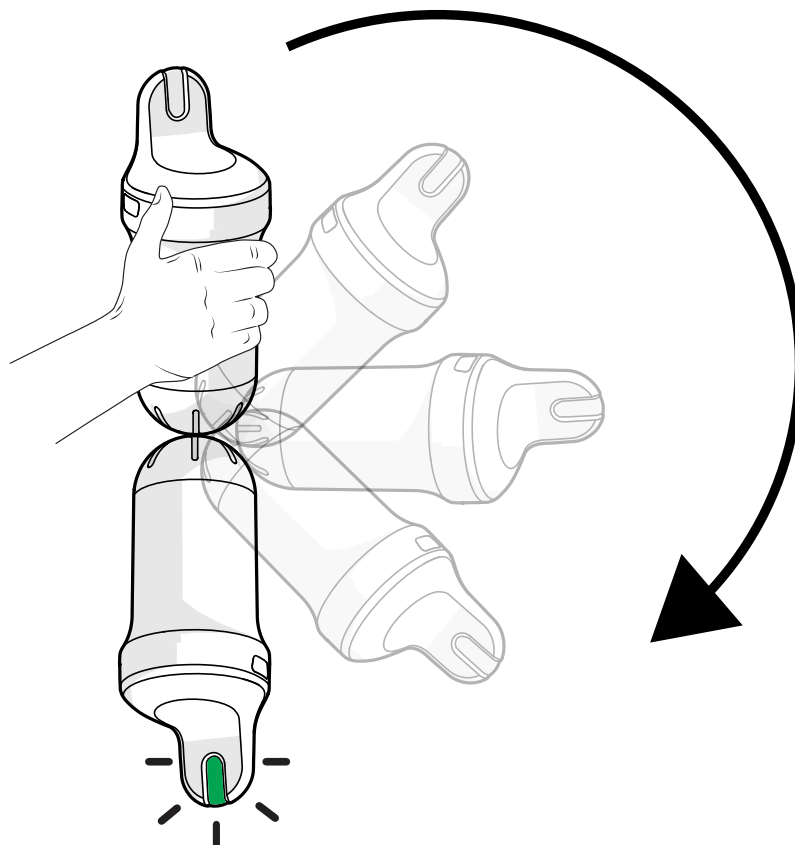


**För pooler med ett pooltäckte avråder vi från att använda snodden för att fästa Blue Connect när man lägger på pooltäcktet. Är den då fastsatt kan den tryckas ned i vattnet och inte längre gå att kommunicera med.**

## 5. STATUS-LED

LED-indikatorn på produkten ger information om vattenkvalitet, batteristatus och laddning.

Vill man kontrollera vattnet eller batteristatus direkt på enheten (i stället för att titta i appen), tar man upp den ur vattnet och vänder den upp och ned som visas på bilden. Den måste hållas upp och ned i minst en sekund. Blue Connect avger en ljudsignal och LED tänds (se tabellen med LED-status nedan).



STATUS	STATUS-LED/LJUDSIGNAL	BESKRIVNING
Laddning	Långsamt blinkande blått/en ljudsignal	Laddning
	Fast blått sken	Laddad (fullt)
Inte aktiverad	Av	Enheten inte aktiverad
Snabb statuskontroll (se förklaring nedan)	Tre röda blinkningar/tre ljudsignaler	Svagt batteri
	Fast grönt sken i fem sek/en ljudsignal	Vatten OK
	Fast orange sken i fem sek/en ljudsignal	Vattnet inte OK (vattenkvaliteten måste kontrolleras och åtgärdas. Mer information finns i Fluidra Pool-appen.)
	Fast vitt sken i fem sek/en ljudsignal	Ingen vattenstatus, enheten på
Uppdatering fast programvara	Fast blått sken/en ljudsignal	

## 6. UNDERHÅLL

Alla underhållsrutiner måste utföras med hjälp av Fluidra Pool-appen.

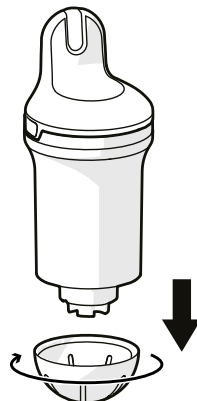


- Kalibreringsprodukter är endast för engångsbruk. Använd dem aldrig en andra gång. Kontakta din återförsäljare för att skaffa en ny.
- Kalibrering får inte göras medan enheten laddas.

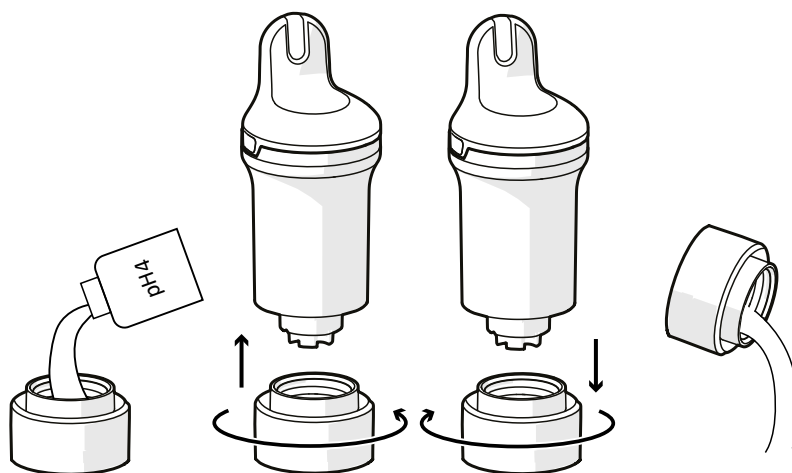
### Kalibrera pH-sonden

pH-sonden ska kalibreras en gång per säsong. En kalibreringssats krävs – kontakta din lokala återförsäljare för mer information. En sådan krävs inte för en första installation.

1. Ta upp enheten ur vattnet, ta av givarlocket och skölj sonden i rent vatten.



2. Skölj förvaringsfoten med rent vatten och torka av den.
3. Kontroller att Bluetooth® är aktivt på din smartphone. Håll dig i närheten av enheten under hela kalibreringsprocessen.
4. Välj produkten i appen, ta reda på avsnittet om kalibrering av sonden och gå igenom stegen enligt anvisningarna.
5. Häll en pH4-lösning i förvaringsfoten och skruva på den på enheten. Följ anvisningarna i appen.
6. När pH4-mätningen är klar skruvar du av förvaringsfoten och sköljer av sonden. Töm, skölj med rent vatten och torka av foten.



7. Upprepa steg 5 med pH7-lösningen.



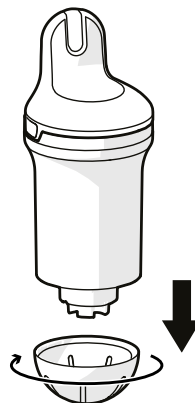
Undvik sammanblandning genom att alltid göra sond och förvaringsfot rena med rent vatten efter att ha använt en kalibreringsprodukt.

8. Bekräfta kalibreringen.
9. Montera givarlocket på Blue Connect och placera den tillbaka i poolen.

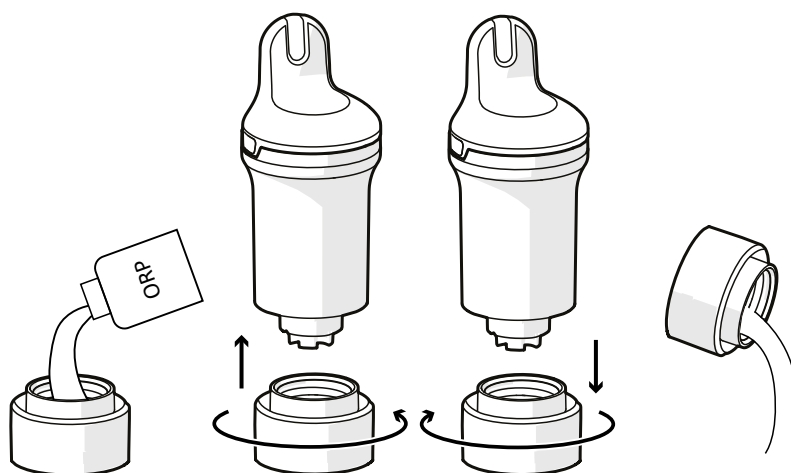
## Kalibrera ORP-sonden

ORP-sonden ska kalibreras en gång per säsong. En kalibreringssats krävs – kontakta din lokala återförsäljare för mer information. En sådan krävs inte för en första installation.

1. Ta upp enheten ur vattnet, ta av givarlocket och skölj sonden i rent vatten.



2. Skölj förvaringsfoten med rent vatten och torka av den.
3. Kontrollera att Bluetooth® är aktivt på din smartphone. Håll dig i närheten av enheten under hela kalibreringsprocessen.
4. Välj produkten i appen, ta reda på avsnittet om kalibrering av sonden och gå igenom stegen enligt anvisningarna.
5. Håll en ORP-lösning i förvaringsfoten och skruva på den på enheten. Följ anvisningarna i appen
6. När ORP-mätningen är klar skruvar du av förvaringsfoten och sköljer av sonden. Töm, skölj med rent vatten och torka av foten.



- Undvik sammanblandning genom att alltid göra sond och förvaringsfot rena med rent vatten efter att ha använt en kalibreringsprodukt.
- Det tar en tid efter kalibrering av ORP/redox, innan uppmätta värden är riktiga. Vänta i minst sex timmar innan du gör en mätning i poolen.

7. Bekräfta kalibreringen.
8. Montera givarlocket på Blue Connect och placera den tillbaka i poolen.

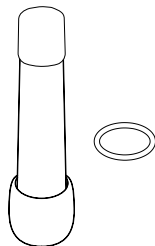
## Byta sond

Sonden behöver bytas ungefär vartannat år. Kontakta din återförsäljare för att skaffa en ny sond.



- Säkerställ att sonden håller så länge som möjligt genom att så långt möjligt ha den i fuktig miljö. Tar man upp enheten ur vattnet måste man montera förvaringsfoten med KCl (mättad kaliumklorid) eller pH4 eller, som en sista utväg, poolvatten.
- Lågt pH (inom ramen för rätt poolparametrar) gör att sonden håller längre.
- Säkerställ att produkten inte är öppen för länge när sonden laddas, eftersom torkmedel kan absorbera fukt och sedan avge denna fukt inne i produkten när denna är stängd

### Sats för att byta sond

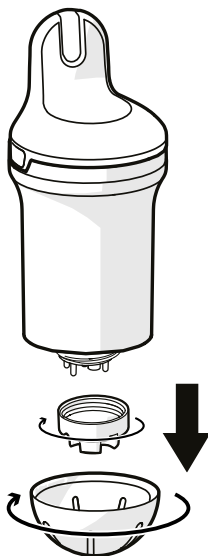


### Installation

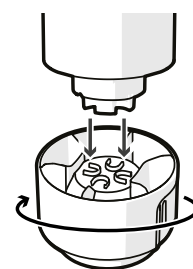


**Vi rekommenderar starkt att detta förfarande utförs med produkten upprätt och lodrät, så att inget vatten tränger in i enheten.**

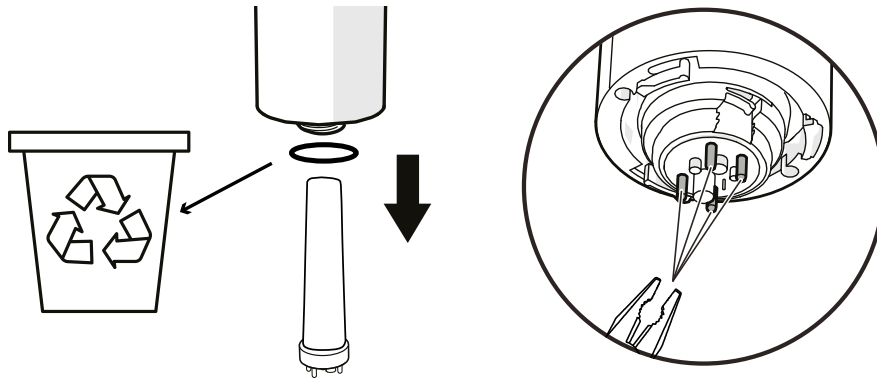
1. Välj produkten i appen, ta reda på avsnittet om sondbyte och gå igenom stegen enligt anvisningarna.
2. Ta upp Blue Connect ur vattnet. Torka av enheten och börja med förfarandet på en torr och ren plats.
3. Ta av givar- och sondlock.



Vid behov kan man använda den undre delen av förvaringsfoten för att skruva loss sondlocket.

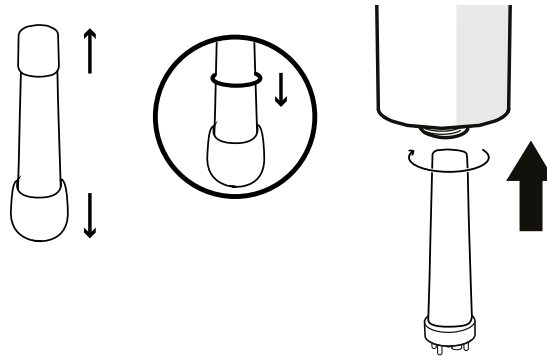


4. Dra försiktigt i sondens fyra plastspetsar. Vid behov kan man försiktigt använda en liten tång eller pincett för att ta bort sonden (se zoom). Torka av eventuellt resterande vatten och håll enheten upprätt. Var noga med att ta bort packningen och kasta bort den (den kan sitta fast på insidan).



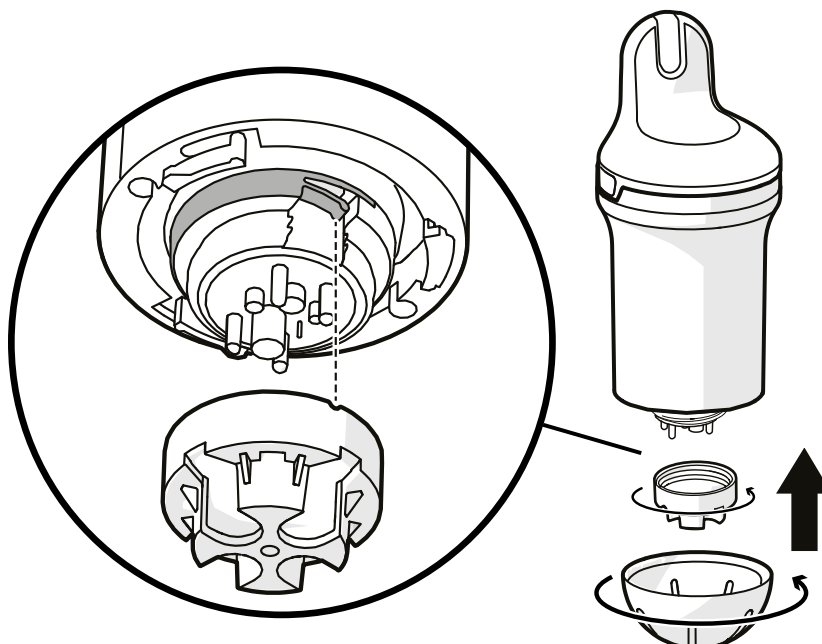
5. Skanna den nya sondens QR-kod

6. Ta bort skyddslocket på den nya sonden. Sätt den nya packningen på den nya sonden. Sätt i sonden och vrid den tills den sitter rätt.



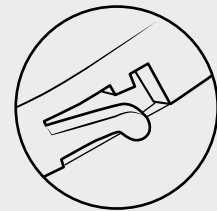
- Var noga med att inte tappa sonden, eftersom den är mycket bräcklig.
- Skada inte sonden genom att **INTE ANVÄNDA** några verktyg och **RÖR INTE** sondens avkänningsytor när du monterar den.
- För att undvika att ha enheten öppen för länge ska dessa steg gås igenom så snabbt som möjligt.

7. Skruva på sondens lock ordentligt på enheten tills det klickar på plats (se zoom). Man kan använda förvaringsfotens undersida för att dra åt den. Montera sedan givarlocket och sätt tillbaka Blue Connect i vattnet.





**Sondlocket måste skruvas på så att den smala fliken klickar på plats enligt bilden. I annat fall kan produkten ta skada.**



Givaren kan behöva några timmar innan parametrarna stabiliseras efter att den första gången sänkts ned i poolen

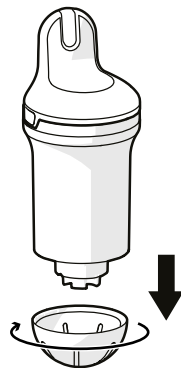
## Vinterförvaring

För att hålla enheten i väl fungerande skick måste den förvaras ordentligt under vintern genom att ställas i vinterläge. Se till att den är fullt laddad innan du går igenom förfarandet nedan.

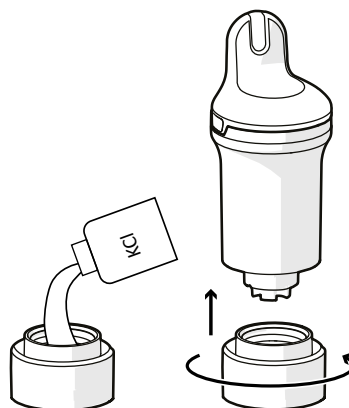
### Vinterläge

Enheten måste ställas i vinterläge innan den vinterförvaras. **Vinterläget kan inte slås på om enheten håller på att laddas.**

1. Ta upp Blue Connect ur vattnet. Ta av givarlocket.



2. Se till att internet (WiFi eller 4G) och Bluetooth® är aktiva på din smartphone. Håll dig i närheten av enheten under hela processen för att ställa i vänteläge.
3. Ställ enheten i vinterläge – välj produkten i appen, ta reda på avsnittet om vinterläge och gå igenom stegen enligt anvisningarna.
4. Skölj förvaringsfoten med rent vatten och torka av den. Häll KCl (mättad kaliumklorid) eller pH4 (eller, som en sista utväg, vatten) i förvaringsfoten och skruva på den.





Den KCl som finns i förvaringsfoten kan bilda saltavsättningar i anslutning till enhetens hus, men det är inte något farligt. Bara skölj med rent vatten.

5. Bekräfta vinterläget och förvara Blue Connect skyddad från frost.

## Förvaring

Behöver man ta upp Blue Connect ur vattnet i mer än en timme måste man montera förvaringsfoten med KCl (mättad kaliumklorid), pH4 eller, som en sista utväg, poolvatten, eftersom sonden inte får bli torr.

## Omaktivering efter vinterförvaring

För att aktivera Blue Connect på nytt efter vinterförvaring behöver man bara koppla in den för att ladda batteriet. Då vaknar enheten upp.

# 7. FELSÖKNING

PROBLEM	LÖSNING
Parkoppling misslyckas	Se inte fel på siffror och bokstäver (t.ex. B och 8, I och 1 osv.) i åtkomstkoden.
Mätningarna är inte riktiga.	<ul style="list-style-type: none"> <li>Kontrollera givarens kalibrering.</li> <li>En luftbubbla kan göra att värdena blir felaktiga. Rör försiktigt på enheten för att försöka få bort bubblorna.</li> </ul>
Konstiga mätningar (pH och ORP)	Orsaken kan vara bubblor på sonden. Skaka enheten under vatten för att få bort bubblorna och mät igen.
Du vänder enheten upp och ned för att göra en statuskontroll och inget händer	<ul style="list-style-type: none"> <li>Vänd enheten långsamt och var noga med att hålla den upp och ned i minst en sekund.</li> <li>Koppla in den för att ladda den.</li> </ul> Kontakta din återförsäljare om LED fortfarande inte tänds.
Enheten laddar inte (ingen blå LED)	<ul style="list-style-type: none"> <li>Kontrollera din laddare</li> <li>Kontrollera din USB-C-kabel</li> </ul> Kontakta din återförsäljare om enheten fortfarande inte laddar.
När du försöker ansluta din enhet med Bluetooth känns den inte av och visas inte i listan över enheter.	<ul style="list-style-type: none"> <li>Kontrollera att Bluetooth är aktivt på din smartphone</li> <li>Kontrollera om enheten redan är ansluten till en annan smartphone</li> <li>Ladda enheten</li> </ul> Kontakta din återförsäljare om enheten fortfarande inte laddar.
Du ser ingen färg för vattenstatus efter att ha vänt på produkten.	<ul style="list-style-type: none"> <li>Kontrollera på en mörkare plats eller genom att skugga med handen</li> <li>Ladda enheten</li> </ul>

PROBLEM	LÖSNING
Enheten behöver laddas ofta	<ul style="list-style-type: none"> <li>• Kontrollera WiFi-signalens kvalitet</li> <li>• Försök lämna enheten på någon annan plats i poolen</li> <li>• Installera en WiFi-förstärkare i närheten av poolen</li> </ul>
Data som rapporteras faller långt utanför intervallet	Kontrollera att sonden finns på plats, att muttern är ordentligt åtdragen och att låsfliken sitter på plats.
Kondens uppstår i LED-området	Detta är normalt och påverkar inte produktens funktion. Kondensen försvinner efter korrekt förvaring i mer än 6 dagar.
Produkten ansluter inte till Wi-Fi	Flytta produkten närmare Wi-Fi-routern.
Ingen mätning efter första installation eller efter vinterförvaring	Givaren är för torr. Lämna givaren i vattnet i 24 timmar, kalibrera och kontrollera att givaren fungerar som den ska.

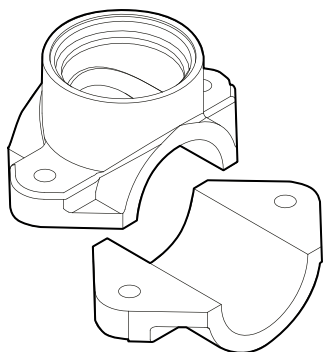
## 8. BLUE FIT50 – INLEDNING

Blue Fit50 är en slangklämma som är kompatibel med Blue Connect. Med den kan Blue Connect installeras på rörverket i det tekniska utrymmet.



Blue Fit50 är ett tillbehör till Blue Connect. Det säljs separat.

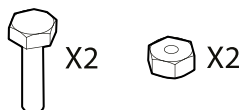
## 9. BLUE FIT50 BESKRIVNING



En slangklämma



Ett gängat lock



Två skruvar och bultar

### Säkerhetsföreskrifter vid användning

- Lämna inte Blue Connect på Blue Fit50 när det inte finns något vatten i rören.
- Vid hantering av vattenkretsen (risk för vattenhammare) är det tillrådligt att ta bort Blue Connect för att inte skada produkten.
- Var noga med att ha tillräckligt flöde i installationen, så att Blue Connect kan göra mätningar.
- Placera alltid Blue Connect lodrätt, med sonden nedåt.
- Ladda inte Blue Connect medan den är monterad på Blue Fit50. Ta bort den före laddning.
- Ladda inte enheten konstant. Uppmätta värden kan vara felaktiga under laddning.

## 10. INSTALLERA BLUE FIT50

Var noga med att alltid placera Blue Fit50 efter filtret (för att undvika att skada sondaerna) och före systemet för att spruta in produkt eller elektrolys (för att undvika att de mätningar Blue Connect gör ska ändras).

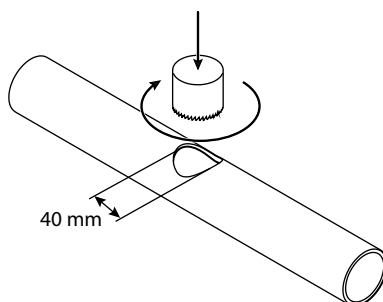
Högsta tillåtna vattentryck för installation i röret är 300 kPa.

Är du osäker, fråga vid behov din poolspecialist om råd.

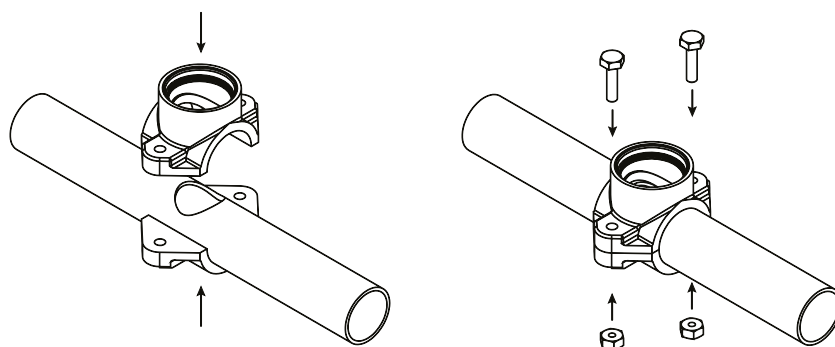
1. Stäng av filtreringssystemet.
2. Borra med en hålsåg ett hål med 40 mm diameter i rörets övre del.



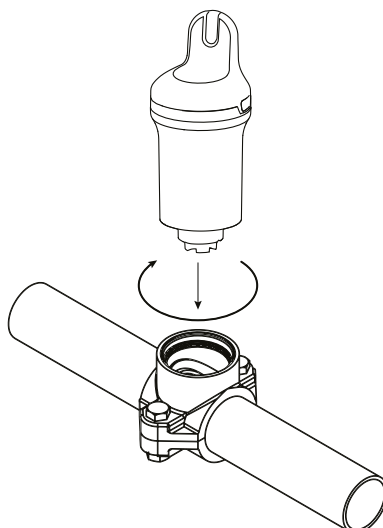
Blue Connect måste stå i lodrätt läge, med sonden nedåt.



3. Placera slangklämmans båda delar på var sin sida om röret, så att hålen stämmer överens, och skruva fast slangklämman.

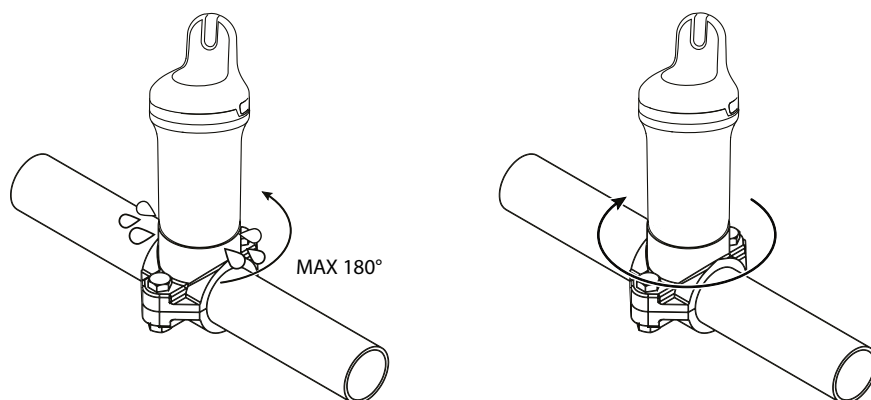


4. Skruva på Blue Connect på slangklämman. Den övre flänsen på Blue Connect ska vara parallell med röret.



5. Slå på filtreringssystemet.

6. Skruva lite och långsamt ur Blue Connect (högst ett halvt varv) för att få bort eventuell luft. Så snart vatten tränger ut betyder det att det inte finns någon luft kvar i rören och man kan då skruva åt Blue Connect ordentligt igen.

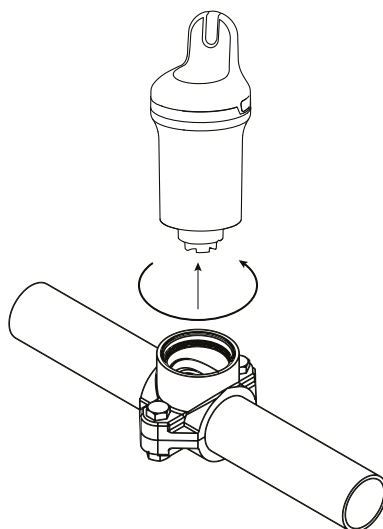


7. Välj produkten i appen, ta reda på avsnittet om att aktivera tillbehöret Blue Fit50 och följ anvisningarna.

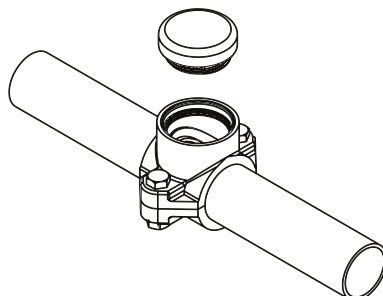
## 11. VINTERFÖRVARA BLUE FIT50

Följ detta förfarande när du gör dig klar att vinterförvara Blue Connect.

1. Stäng av filterpumpen, stäng ventilerna och skruva ur Blue Connect.



2. Försegla slangklämman med det lock som medföljer i Blue Fit50-asken.



3. Följ förfarandet för vinterförvaring av Blue Connect (se [Vinterförvaring, sida 150](#)).

## INDHOLD

1. PRÆSENTATION AF BLUE CONNECT .....	157
Oversigt.....	157
2. BESKRIVELSE .....	158
3. INSTALLATION AF APP .....	159
Download appen.....	159
4. INSTALLATION AF BLUE CONNECT.....	159
Opladning.....	159
Tilknytning til app'en.....	160
Installation .....	161
5. STATUS-LED .....	162
6. VEDLIGEHOLDELSE.....	163
Kalibrering af pH-sonde .....	163
Kalibrering af ORP-sonde .....	164
Udskiftning af sonde .....	165
Overvintring .....	167
7. FEJLFINDING.....	168
8. INTRODUKTION AF BLUE FIT 50 .....	170
9. BESKRIVELSE BLUE FIT50.....	170
Forholdsregler ved brug.....	170
10. INSTALLATION AF BLUE FIT50.....	171
11. VINTEROPBEVARING AF BLUE FIT50 .....	172



**Genbrug** Dette symbol, der kræves i EU direktivet WEEE 2012/19/ EU (affald af elektrisk og elektronisk udstyr) betyder, at apparatet ikke må bortskaffes med husholdningsaffaldet. Det skal indsamles selektivt med henblik på genbrug, genanvendelse eller omdannelse. Hvis det indeholder stoffer, der kan være skadelige for miljøet, vil disse blive elimineret eller neutraliseret. Kontakt din forhandler for at få oplysninger om genbrug.



- Før apparatet tages i brug, er det vigtigt at læse sikkerhedsadvarslerne og garantihæftet, der følger med produktet. Gøres dette ikke, kan det resultere i alvorlig eller dødelig kvæstelse, materiel skade og det vil ugyldiggøre garantien.
- Disse dokumenter skal opbevares og videregives, så de er til rådighed senere gennem hele apparatets levetid.
- Det er forbudt at distribuere eller ændre dette dokument på nogen måde uden forudgående tilladelse fra producenten.
- Producenten udvikler konstant sine produkter for at forbedre kvaliteten. Producenten forbeholder sig ret til helt eller delvist at ændre produktets funktioner eller indholdet af dette dokument uden forudgående varsel.

## 1. PRÆSENTATION AF BLUE CONNECT

---

Blue Connect måler løbende de vigtigste parametre i din swimmingpool (temperatur, pH, klor, ledningsevne). Den informerer dig også om den eksterne temperatur og vejret baseret på din geografiske placering. Resultaterne af denne analyse kommunikerer derefter til dig via meddelelser i Fluidra Pool-appen (tilgængelig på smartphone og tablet, kompatibel med Android™ og iOS). Hvis enheden registrerer, at en af parametrene er ukorrekt, modtager du en advarsel og oplysninger om den korrigerende handling, der skal udføres for at regulere og stabilisere denne parameter for at opretholde en sund og afbalanceret vandkvalitet.

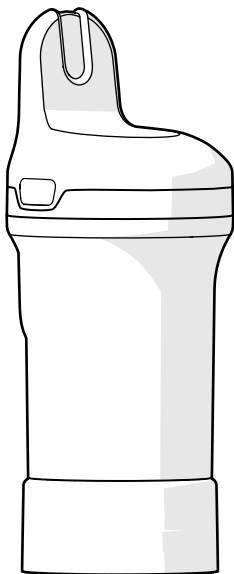
### Oversigt

Blue connect målinger:

- **Vandtemperatur** (°C): Måler vandtemperaturen. En høj temperatur reducerer klorets effektivitet og fremmer udviklingen af mikroorganismer.
- **pH** (brintpotentiale): Måler vandets surhed eller basiske karakter. pH bidrager til effektiviteten af desinfektionen.
- **ORP/REDOX** (oxidationsreduktionspotentiale/ redoxpotentiale): ORP eller REDOX måler vandets oxiderende effekt i mV. Det giver information om vandets desinficerende effekt.
- **Ledningsevne** (μS): Måler koncentrationen af uorganiske salte i vandet ved hjælp af sidstnævntes evne til at lede elektricitet (afhængigt af modellen).
- **Saltholdighed** (g/l): Måler koncentrationen af salt opløst i vandet (afhængigt af modellen).

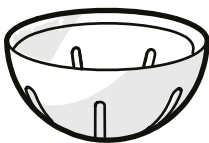
## 2. BESKRIVELSE

---



**Blue Connect** - Leveres med opbevaringsfoden på for at beskytte sonden under transport. Sonden er nedsænket i KCl (mættet kaliumklorid), hvilket sikrer dens beskyttelse.

**Opbevaringsfod** - Bruges til at transportere sonden ud af vandet eller til at holde sensorerne nedsænket under længere tids opbevaring (f.eks. under opladning eller om vinteren).

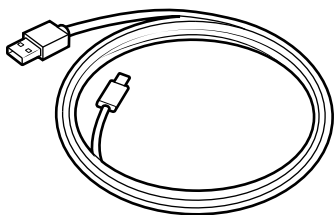


**Sensorhætte** - Skal altid monteres på enheden, før den lægges i vand. Den beskytter sensorerne mod skader.



**Snor** - Bruges til at fastgøre enheden til et fastgørelsespunkt (valgfrit).

Det kan være nødvendigt at bruge en lille tang til at sætte den ind i åbningen på siden af produktet.

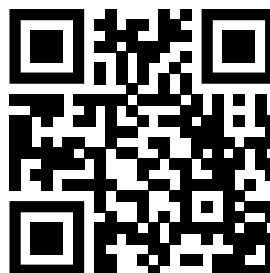


**USB-C-kabel** - Bruges til opladning

### 3. INSTALLATION AF APP

#### Download appen

Download Fluidra Pool-appen, og følg instruktionerne for at oprette en konto og konfigurere din pool.



### 4. INSTALLATION AF BLUE CONNECT

Følgende trin er nødvendige for at få Blue Connect op at køre:

- Oplad enheden,
- Tilknyt enheden med Fluidra Pool-appen
- Installer sensorhætten, og læg den i poolen

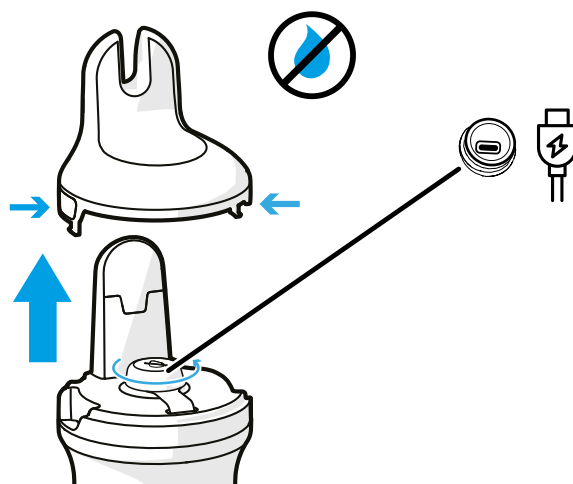
#### Opladning



- Du skal oplade enheden helt, før du bruger den. Oplad den altid i lodret position ved hjælp af opbevaringsfoden, der er fyldt med KCL-opløsning eller vand.
- De målte værdier (pH, ORP) kan være forkerte under opladning. Disse værdier bør ikke tages i betragtning under opladning.

Sådan oplader du Blue Connect:

1. **Tør Blue Connect grundigt**, og fjern derefter topdækslet ved at trykke i hver side og trække opad.
2. Skru hætten til opladningsporten af, og tilslut USB-C-kablet til enheden og til en strømforsyning for at oplade.

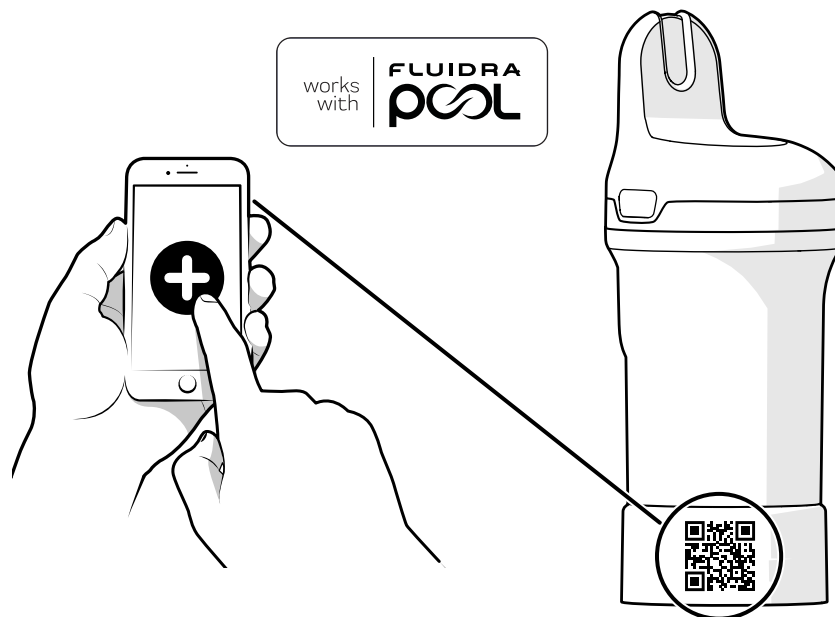


**Opladningsporten skal være tør, før kablet sættes i. Hånder den med tørre hænder i et tørt område.**

3. Efter opladning **lukkes opladningsporten tæt**, og topdækslet sættes tilbage på Blue Connect.

## Tilknytning til app'en

Åbn Fluidra Pool-appen, og klik på **Tilføj udstyr** for at tilknytte til Blue Connect. QR-koden, der bruges til tilknytningen, er placeret på opbevaringsfoden og under topdækslet, der fjernes ved opladning.

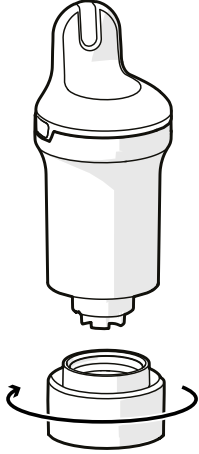


Når du har oprettet forbindelse til appen, får du besked i appen, hvis der er tilgængelige firmwareopdateringer. Følg instruktionerne i appen for at opdatere dit produkt.

## Installation

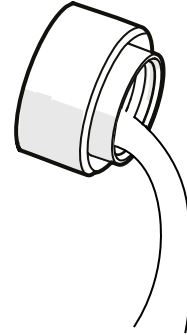
Før brug skal du fjerne opbevaringsfoden og påsætte sensorhætten.

1. Stil Blue Connect lodret, og skru opbevaringsfoden af.

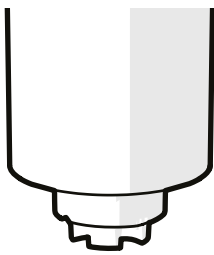


2. Tøm opbevaringsfoden, og skyl den i rent vand. Sæt den til side.

**BEMÆRK:** Opbevar opbevaringsfoden et sikkert sted til senere brug.



3. Skyl sonden i rent vand.

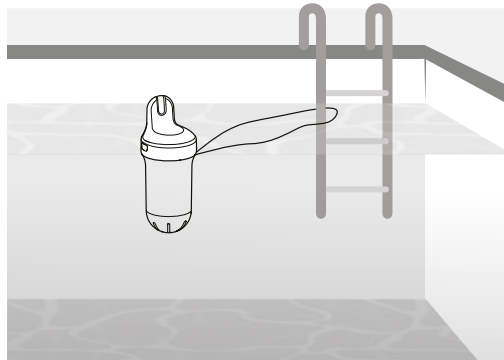


4. Skru sensorhætten på for at beskytte sonderne.



5. Læg Blue Connect i poolen, og lad den flyde i vandet. Hvis det er nødvendigt, kan du sikre den ved at fastgøre den til et fastgørelsespunkt med snoren.

Sørg for, at enheden er i lodret position, og at toppen er over vandet for at muliggøre korrekt kommunikation.

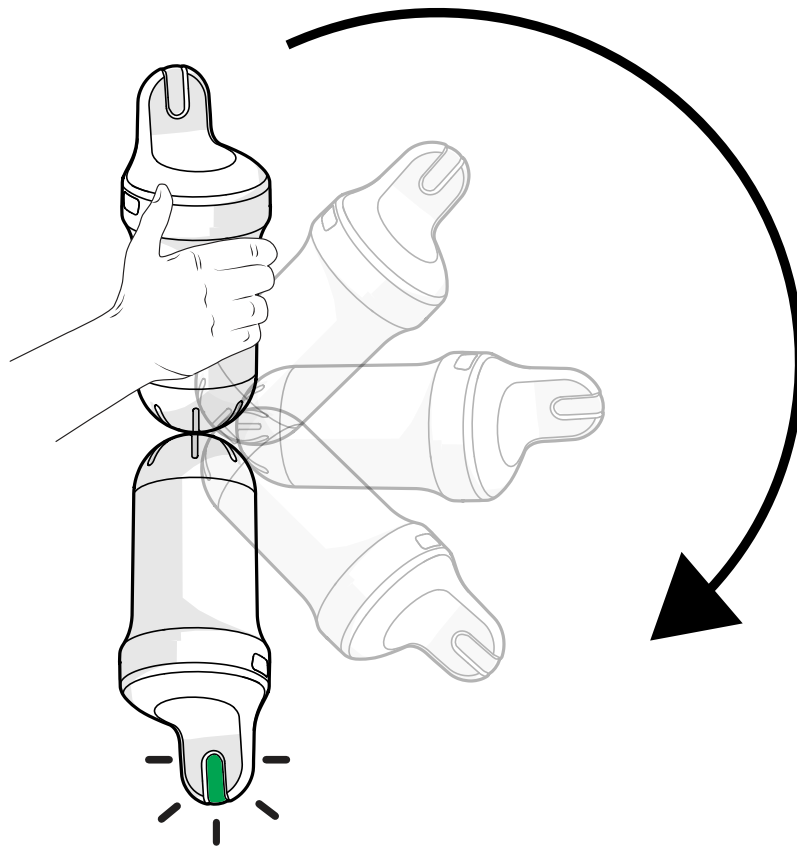


Ved pools med pooloverdækning anbefales det ikke at bruge snoren til at fastgøre Blue Connect, når pooloverdækningen lukkes. Hvis den er fastgjort, kan enheden blive nedsænket i vandet og miste forbindelsen.

## 5. STATUS-LED

LED-indikatoren på produktet giver oplysninger om vandkvalitet, batteristatus og opladning.

Hvis du vil tjekke vand- og batteristatus direkte på enheden (i stedet for at kigge i appen), skal du tage den op af vandet og vende den på hovedet som vist. Du skal holde den mindst 1 sekund i den omvendte position. Blue Connect udsender et bip, og LED'en lyser (se tabellen over LED-status nedenfor).



STATUS	STATUS LED / BIP	BESKRIVELSE
Opladning	Langsomt blinkende blå / 1 bip	Opladning
	Konstant blå	Opladet (fuldt ud)
Ikke aktiveret	Slukket	Enheden er ikke aktiveret
Hurtig statustjek (Se forklaring nedenfor)	3 røde blink/3 bip	Lavt batteriniveau
	Konstant grøn 5 s/1 bip	Vand OK
	Konstant orange 5 s/1 bip	Vand ikke ok (vandkvaliteten skal kontrolleres og korrigeres. Du finder flere oplysninger i Fluidra Pool-appen.)
	Konstant hvid 5 s/1 bip	Ingen vandstatus, enheden er tændt
Firmware-opdatering	Hurtigt blinkende blå/1 bip	

## 6. VEDLIGEHOELSE

Alle vedligeholdelsesprocedurer skal udføres ved hjælp af Fluidra Pool-appen.

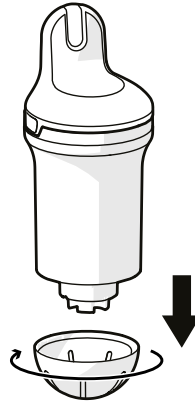


- Kalibreringsprodukter er kun til engangsbrug. Brug dem aldrig to gange. Kontakt din forhandler for at få en ny.
- Undlad at kalibrere apparatet under opladning.

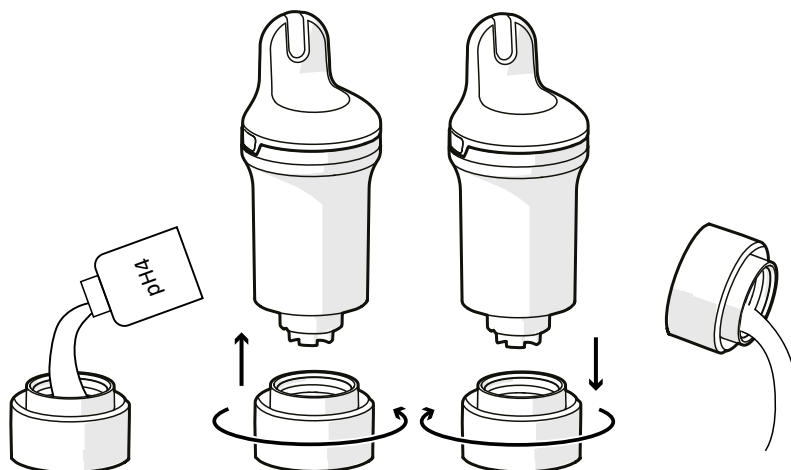
### Kalibrering af pH-sonde

Kalibrering af pH-sonden skal udføres en gang pr. sæson. Et kalibreringssæt er nødvendigt- kontakt din lokale forhandler for mere information. Det er ikke nødvendigt ved første installation.

1. Tag enheden op af vandet, fjern sensorhætten, og skyl sonden i rent vand.



2. Skyl opbevaringsfoden med rent vand, og tør den af.
3. Sørg for, at Bluetooth® er aktiveret på din smartphone. Hold dig tæt på din enhed under hele kalibreringsprocessen.
4. Vælg produktet i appen, se efter afsnittet om sondekalibrering, og følg de viste trin.
5. Kom en pH4-opløsning i opbevaringsfoden, og skru den fast på enheden. Følg instruktionerne i appen.
6. Når pH4-målingen er færdig, skrues opbevaringsfoden af, og sonden skylles. Tøm, skyl med rent vand, og tør foden af.



7. Gentag trin 5 med pH7-opløsningen.



Rengør altid sonden og opbevaringsfoden med rent vand efter brug af et kalibreringsprodukt for at undgå blandinger.

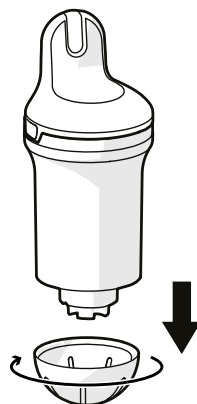
8. Godkend kalibreringen.

9. Sæt sensorhætten på Blue Connect, og sæt den tilbage i swimmingpoolen.

## Kalibrering af ORP-sonde

ORP-sondekalibrering skal udføres en gang pr. sæson. Et kalibrerings sæt er nødvendigt - kontakt din lokale forhandler for mere information. Det er ikke nødvendigt ved første installation.

1. Tag enheden op af vandet, fjern sensorhætten, og skyl sonden i rent vand.



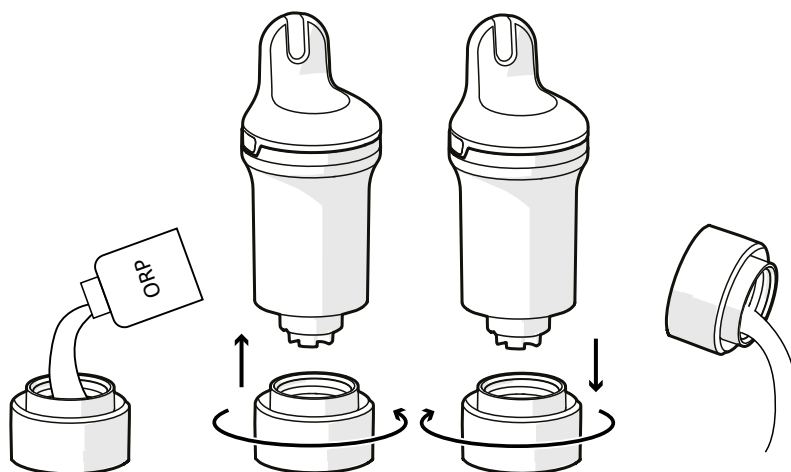
2. Skyl opbevaringsfoden med rent vand, og tør den af.

3. Sørg for, at Bluetooth® er aktiveret på din smartphone. Hold dig tæt på din enhed under hele kalibreringsprocessen.

4. Vælg produktet i appen, se efter afsnittet om sondekalibrering, og følg de guidede trin.

5. Kom en ORP-opløsning i opbevaringsfoden, og skru den fast på enheden. Følg instruktionerne i appen

6. Når ORP-målingen er færdig, skrues opbevaringsfoden af, og proben skylles. Tøm, skyl med rent vand, og tør foden af.



- Rengør altid sonden og opbevaringsfoden med rent vand efter brug af et kalibreringsprodukt for at undgå blandinger.
- Der kan gå et stykke tid efter kalibreringen af ORP/redox, før målingerne viser korrekte værdier. Vent i mindst 6 timer, før måling i poolen udføres.

7. Godkend kalibreringen.

8. Sæt sensorhætten på Blue Connect, og sæt den tilbage i swimmingpoolen.

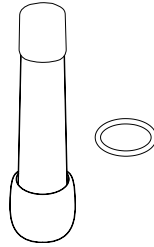
## Udskiftning af sonde

Sonden skal udskiftes cirka hvert andet år. Kontakt din forhandler for at få en ny sonde.



- For at sikre maksimal levetid for sonden skal du opbevare den så længe som muligt i et fugtigt miljø. Hvis du er nødt til at tage enheden op af poolen, skal du installere opbevaringsfoden med KCl (mættet kaliumklorid) pH4, eller som en sidste udvej, poolvand.
- En lav pH-værdi (inden for de korrekte poolparametre) forbedrer sondens levetid.
- Når du skifter sonden, skal du sørge for, at produktet ikke står åbent for længe, da tørremidlet kan absorbere fugt og derefter afgive fugten til produktet, når det er lukket.

### Udskiftningssæt til sonde

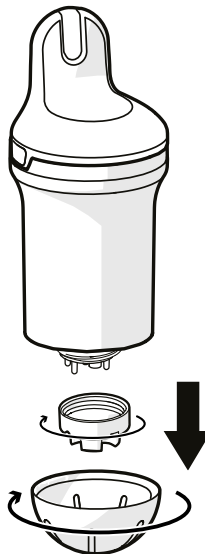


### Installation

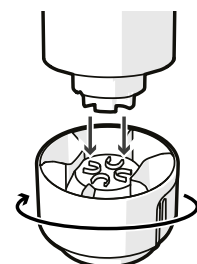


**Det anbefales på det kraftigste at udføre denne procedure, mens produktet står lodret, så der ikke trænger vand ind i enheden.**

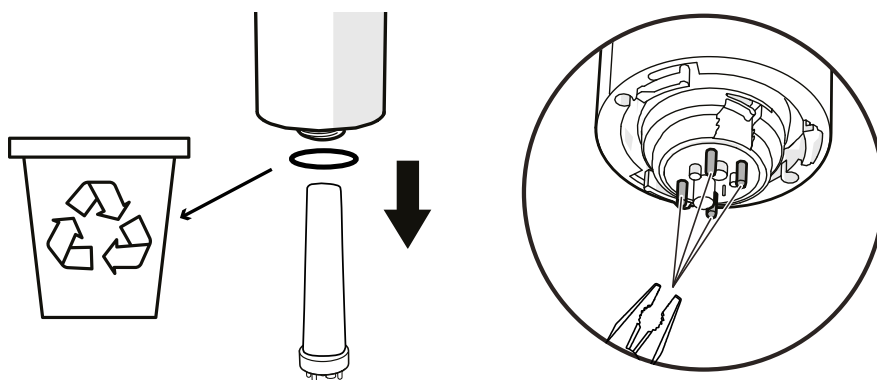
1. Vælg dit produkt i appen, se efter afsnittet om udskiftning af sonde, og følg de viste trin.
2. Tag Blue Connect op af vandet. Tør enheden af, og start proceduren på et tørt, rent sted.
3. Fjern sensorhætten og sondedækslet.



Hvis det er nødvendigt, kan du bruge undersiden af opbevaringsfoden til at skrue sondedækslet af.

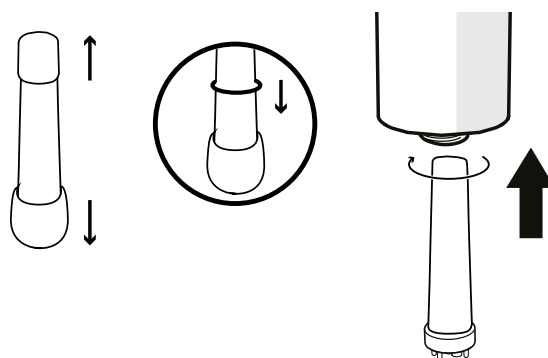


4. Træk forsigtigt i de fire plastikspidser på sonden. Hvis det er nødvendigt, kan du med forsigtighed bruge en tang til at fjerne sonden (se zoom). Tør eventuelt resterende vand af, og hold enheden oprejst. Sørg for at fjerne forseglingen og kassere den (den kan sidde fast indeni).



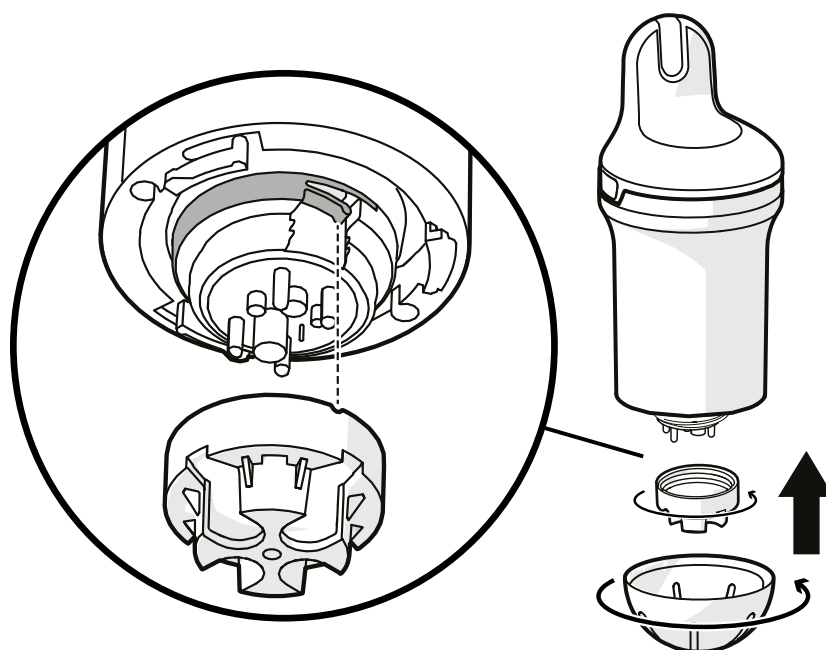
5. Scan QR-koden på den nye sonde

6. Fjern beskyttelsesdækslet på den nye sonde. Sæt den nye forsegling på den nye sonde. Sæt sonden i, og drej den, indtil den er placeret korrekt.



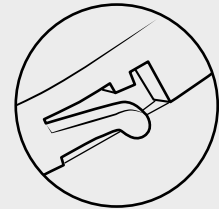
- Pas på ikke at tabe sonden, da den er meget skrøbelig.
- Brug IKKE værktøj, og rør IKKE ved sondens føleområder, når du installerer den, for at undgå at beskadige den.
- Disse trin skal udføres så hurtigt som muligt for at undgå at have enheden åben i for lang tid.

7. Skru sondedækslet fast på enheden, indtil det klikker på plads (se zoom). Du kan bruge undersiden af opbevaringsfoden til at stramme den. Monter derefter sensorhætten, og sæt Blue Connect tilbage i vandet.





Sondedækslet skal skrues på, så den lille flig klikker på plads som vist. Hvis ikke, kan produktet blive beskadiget.



Det kan tage et par timer for sensoren at stabilisere sine parametre efter den første nedsænkning i swimmingpoolen

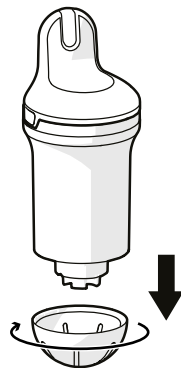
## Overvintring

For at holde din enhed i god stand skal du opbevare den korrekt om vinteren ved at sætte den i vintertilstand. Sørg for, at den er fuldt opladet, før du følger nedenstående procedure.

### Vintertilstand

Du skal sætte enheden i vintertilstand, før du opbevarer den om vinteren. **Vintertilstand kan ikke aktiveres, hvis enheden er under opladning.**

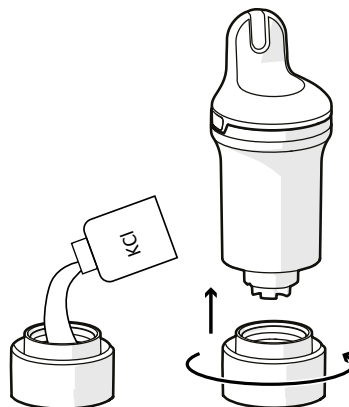
1. Tag Blue Connect op af vandet. Fjern sensorhætten.



2. Sørg for, at internet (Wi-Fi eller 4G) og Bluetooth® er aktiveret på din smartphone. Hold dig tæt på enheden under hele standby-processen.

3. Sæt enheden i vintertilstand- vælg dit produkt i appen, se efter vintertilstand, og følg de guidede trin.

4. Skyl opbevaringsfoden med rent vand, og tør den af. Anbring KCl (mættet kaliumklorid) eller pH4 (eller som en sidste udvej, vand) i opbevaringsfoden, og skru den på.





KCl i opbevaringsfoden kan forårsage dannelse af agglomereret salt ved overgangen til enhedens krop, men det er under ingen omstændigheder farligt. Skyl blot med rent vand.

5. Bekræft vintertilstanden, og opbevar Blue Connect beskyttet mod frost.

## Opbevaring

Hvis du skal tage Blue Connect ud af poolen i mere end en time, skal du installere opbevaringsfoden med KCl (mættet kaliumklorid), pH4 eller som en sidste udvej poolvand, da sonden ikke må efterlades tør.

## Genaktivering efter overvintring

For at genaktivere Blue Connect efter vinteropbevaring skal du blot sætte den i stikkontakten for at oplade batteriet. Dette vækker enheden.

## 7. FEJLFINDING

PROBLEM	AFHJÆLPNING
Tilknytningen mislykkedes	Forveksl ikke bogstaver og tal (f.eks. B og 8, l og 1 osv.) i adgangskoden.
Målingerne er ikke korrekte.	<ul style="list-style-type: none"> <li>Kontrollér sensorens kalibrering.</li> <li>Tilstedeværelse af en luftboble kan give forkerte målinger. Forsøg at fjerne eventuelle luftbobler ved at flytte apparatet langsomt.</li> </ul>
Mærkelige målinger (pH og ORP)	Bobler på sonden kan være årsagen. Ryst enheden under vand for at fjerne boblerne, og mål igen.
Du vender enheden på hovedet for at få en statuskontrol, og der sker ikke noget	<ul style="list-style-type: none"> <li>Vend enheden langsomt, og sørg for at holde den på hovedet i mindst 1 sekund.</li> <li>Sæt den i stikkontakten for at oplade den.</li> </ul> <p>Hvis LED'en stadig ikke lyser, skal du kontakte din forhandler.</p>
Enheden oplader ikke (ingen blå LED)	<ul style="list-style-type: none"> <li>Tjek din oplader</li> <li>Tjek dit USB-C-kabel</li> </ul> <p>Hvis enheden stadig ikke oplades, skal du kontakte din forhandler.</p>
Når du vil forbinde din enhed med Bluetooth, bliver din enhed ikke registreret og vises ikke på enhedslisten.	<ul style="list-style-type: none"> <li>Tjek, om Bluetooth er aktiv på din smartphone</li> <li>Kontroller, at enheden ikke allerede er forbundet til en anden smartphone</li> <li>Oplad enheden</li> </ul> <p>Hvis enheden stadig ikke oplades, skal du kontakte din forhandler.</p>
Du kan ikke se farven på vandstatus, når du har vendt dit produkt.	<ul style="list-style-type: none"> <li>Tjek i et mørkere område eller ved at skabe en skygge med din hånd</li> <li>Oplad enheden</li> </ul>
Du skal oplade enheden ofte	<ul style="list-style-type: none"> <li>Tjek kvaliteten af Wi-Fi-signalet</li> <li>Prøv at lade enheden være et andet sted i poolen</li> <li>Installer en Wi-Fi-repeater tæt på din pool</li> </ul>

PROBLEM	AFHJÆLPNING
De rapporterede data er helt uden for området	Kontrollér, om sonden er til stede, om møtrikken er skruet godt fast, og om skruemærket er på plads.
Kondens opstår i LED-området	Dette er normalt og påvirker ikke produktets funktion. Kondensen forsvinder efter korrekt opbevaring i mere end 6 dage.
Produktet opretter ikke forbindelse til Wi-Fi	Flyt produktet tættere på Wi-Fi-boksen.
Ingen måling ved første installation eller efter overvintring	Sensoren er for tør. Lad sensoren ligge i vandet i 24 timer, kalibrer den derefter og kontroller, om sensoren fungerer korrekt.

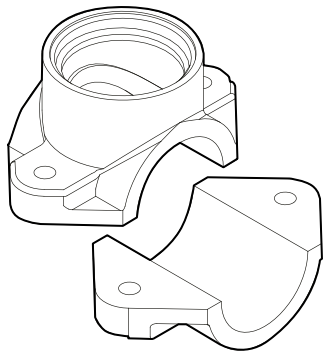
## 8. INTRODUKTION AF BLUE FIT 50

Blue Fit50 er en slangeklemme, der er kompatibel med Blue Connect. Den gør det muligt at installere Blue Connect på rørene i det tekniske rum.



Blue Fit50 er et Blue Connect-tilbehør. Den sælges separat.

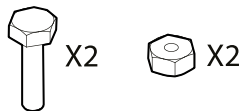
## 9. BESKRIVELSE BLUE FIT50



En slangeklemme



En hætte med gevind



To skruer og bolte

### Forholdsregler ved brug

- Lad ikke Blue Connect sidde på Blue Fit50, når der ikke er vand i rørene.
- Hvis der arbejdes med det hydrauliske kredsløb (risiko for vandslag), anbefales det at fjerne Blue Connect for ikke at beskadige produktet.
- Sørg for at skabe et tilstrækkeligt flow i din installation, så Blue Connect kan foretage målingerne.
- Placer altid Blue Connect lodret med sonden nedad.
- Blue Connect må ikke oplades, når den er installeret på Blue Fit50. Fjern den før opladning.
- Apparatet må ikke oplades permanent. De målte værdier kan være forkerte, når apparatet oplades

## 10. INSTALLATION AF BLUE FIT50

Sørg for altid at placere Blue Fit50 efter filteret (for at undgå at beskadige sonderne) og før dit produktindsprøjtningssystem eller elektrolyse (for at undgå at ændre de målinger, som Blue Connect har taget).

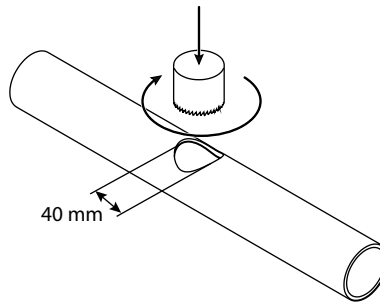
Det maksimalt tilladte vandtryk for installation i røret er 300 kPa.

Spørg om nødvendigt din poolspecialist til råds, hvis du er i tvivl.

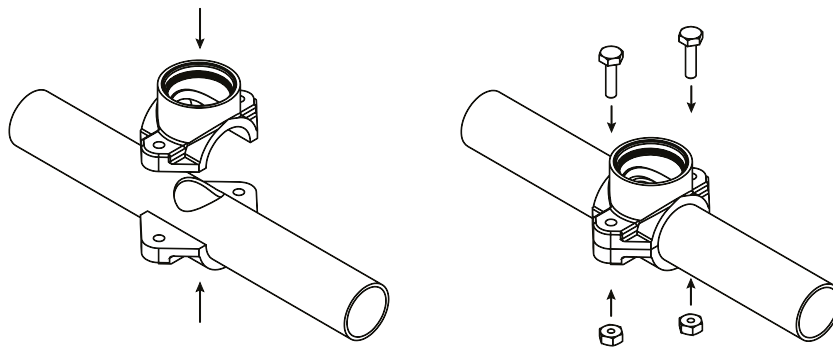
1. Sluk for filtreringssystemet.
2. Bor et hul i den øverste del af røret med en hulsav med en diameter på 40 mm.



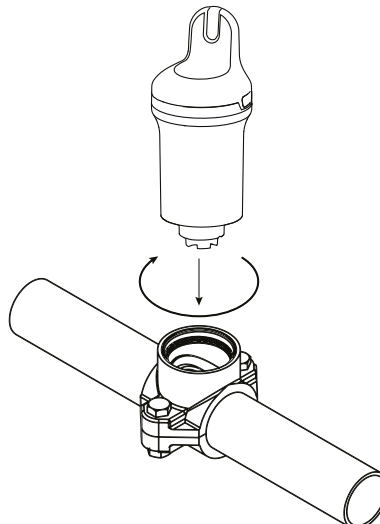
Blue Connect skal være i lodret position med sonden nedad.



3. Sæt begge dele af slangeklemmen på hver side af røret, så hullerne er sammenfaldende, og skru slangeklemmen fast.

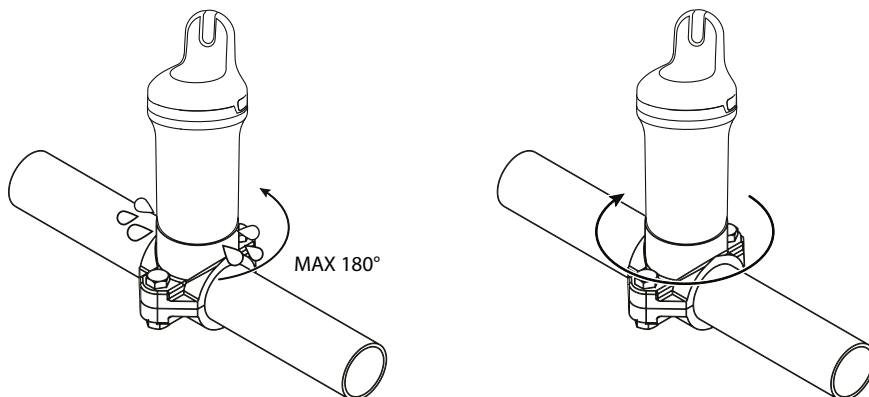


4. Skru Blue Connect fast på slangeklemmen. Den øverste kant af Blue Connect skal være parallel med røret.



5. Tænd for filtreringssystemet.

6. Skru langsomt Blue Connect lidt ud (maks. ½ omdrejning) for at fjerne eventuel luft. Så snart der kommer vand ud, betyder det, at der ikke er luft tilbage i rørene, og du kan derefter skru Blue Connect fast igen.

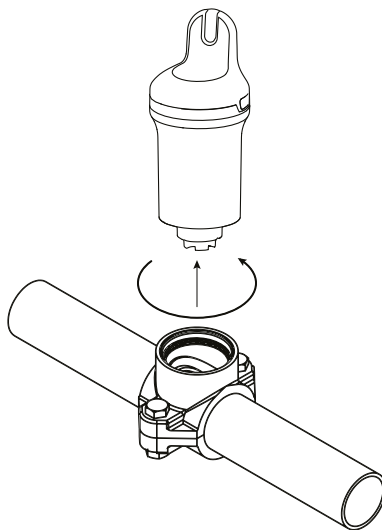


7. Vælg produktet i appen, og se efter aktivering af Blue Fit50, og følg instruktionerne.

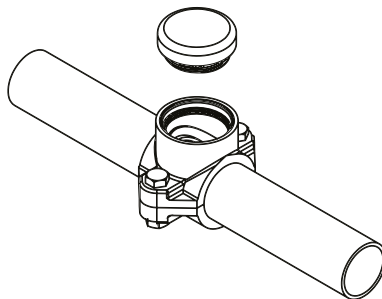
## 11. VINTEROPBEVARING AF BLUE FIT50

Følg denne procedure, når du gør Blue Connect klar til vinteropbevaring.

1. Sluk for filterpumpen, luk ventilerne, og skru Blue Connect af.



2. Forsegl slangeklemmen med den hætte, der følger med i Blue Fit50-kassen.



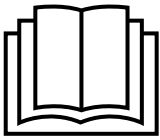
3. Følg proceduren for vinteropbevaring af Blue Connect (se [Overvintring, side 167](#)).

# INNHOOLD

1. BLUE CONNECT - PRESENTASJON.....	174
Oversikt.....	174
2. BESKRIVELSE .....	175
3. INSTALLERING AV APPEN .....	176
Last ned appen.....	176
4. BLUE CONNECT INSTALLASJON .....	176
Lading.....	176
Paring med appen.....	177
Installasjon .....	178
5. Indikatorlampe.....	179
6. VEDLIKEHOLD.....	180
Kalibrering av pH-sensoren .....	180
Kalibrering av ORP-sensoren .....	181
Bytte sensor .....	182
Overvintring .....	184
7. FEILSØKING .....	185
8. BLUE FIT 50 PRESENTASJON .....	187
9. BLUE FIT50 BESKRIVELSE.....	187
Forholdsregler for bruk.....	187
10. BLUE FIT50 INSTALLASJON .....	188
11. BLUE FIT50 OVERVINTRING.....	189



**Resirkulering** Dette symbolet kreves av WEEE-direktivet 2012/19/EU (om kassering av elektrisk og elektronisk avfall) og betyr at utstyret ikke må kastes sammen med husholdningsavfall. Det skal sorteres for å gjenbrukes, resirkuleres eller bearbeides. Hvis det inneholder stoffer som kan være miljøskadelige, vil disse fjernes eller nøytraliseres. Kontakt din forhandler for informasjon om resirkulering.



- Det er viktig å lese sikkerhetsadvarslene og garantiheftet som leveres sammen med produktet før utstyret benyttes. Hvis du ikke gjør dette, kan det føre til alvorlige eller dødelige skader, eller materielle skader, og det vil ugyldiggjøre garantien.
- Disse dokumentene må oppbevares og gis videre for senere referanse i hele utstyrets levetid.
- Utsending eller endring av dette dokumentet på noen måte er forbudt uten forhåndstillatelse fra produsenten.
- Produsenten utvikler hele tiden sine produkter for å forbedre kvaliteten. Produsenten forbeholder seg retten til å endre produktets egenskaper helt eller delvis eller innholdet i dette dokumentet uten forhåndsvarsel.

## 1. BLUE CONNECT - PRESENTASJON

---

Blue Connect måler hele tiden viktige parametere angående svømmebassenget (temperatur, pH, klor, konduktivitet). Utstyret informerer deg også om utetemperaturen og værforholdene basert på din geolokalisering. Resultatene av denne analysen kommuniseres deretter til deg via varsler på Fluidra Pool-appen (på smarttelefon og nettbrett, kompatibel med Android™ og iOS). Hvis utstyret registrerer at en av parametrene er feil, mottar du et varsel og informasjon om hva du må gjøre for å regulere og stabilisere denne parameteren slik at vannkvaliteten fortsatt er sunn og balansert.

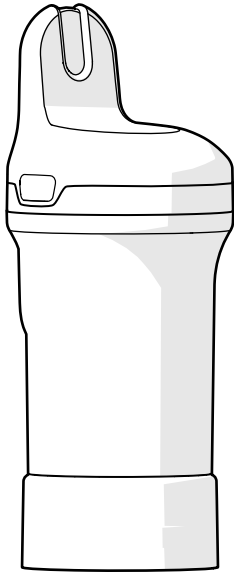
### Oversikt

Blue Connect måler:

- **Vanntemperatur** (°C): Måler vanntemperatur. En høy temperatur gjør kloret mindre effektivt og mikroorganismer formerer seg raskere.
- **pH** (hydrogenpotensial): Måler vannets grad av syre eller base. pH-graden bidrar til å gjøre det desinfiserende middelet mer effektivt.
- **ORP/REDOX** (oksidierungs-reduksjonspotensial/ redokspotensial): ORP eller REDOX måler vannets oksideringsstyrke i mV. Det gir informasjon om hvor godt vannet blir desinfisert.
- **Konduktivitet** (µS): Måler konsentrasjonen av uorganiske salter i vannet gjennom vannets evne til å lede strøm (avhengig av modell).
- **Saltinnhold** (g/l): Måler konsentrasjonen av salt oppløst i vann (avhengig av modell).

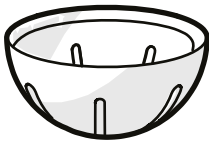
## 2. BESKRIVELSE

---



**Blue Connect** - Leveres med transportfoten som beskytter sonden under transport. Sonden ligger i KCl (mettet kaliumklorid) som beskytter den.

**Transportfot** - Brukes til å transportere sonden ut av vannet eller for å holde sensorene i vann hvis de lagres over lengre tid (for eksempel under lading eller overvintring).

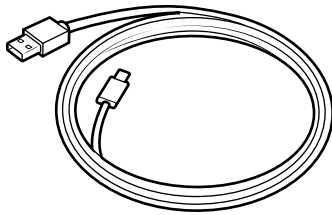


**Sensorlokk** - Må alltid monteres på utstyret før det legges i vannet. Lokket beskytter sensorene mot skade.



**Snor** - Brukes til å feste utstyret til et festepunkt (valgfritt).

Du kan trenge å bruke en liten tang for å stikke den inn i åpningen på siden av produktet.

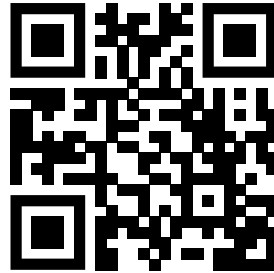


**USB-C-kabel** - Brukt til lading

### 3. INSTALLERING AV APPEN

#### Last ned appen

Last ned appen Fluidra Pool og følg instruksjonene for å opprette en konto og sette opp svømmebassenget.



### 4. BLUE CONNECT INSTALLASJON

Du må følge trinnene nedenfor for å installere og bruke Blue Connect.

- Lad utstyret
- Par utstyret til appen Fluidra Pool
- Installer sensorlokket og legg det i bassenget

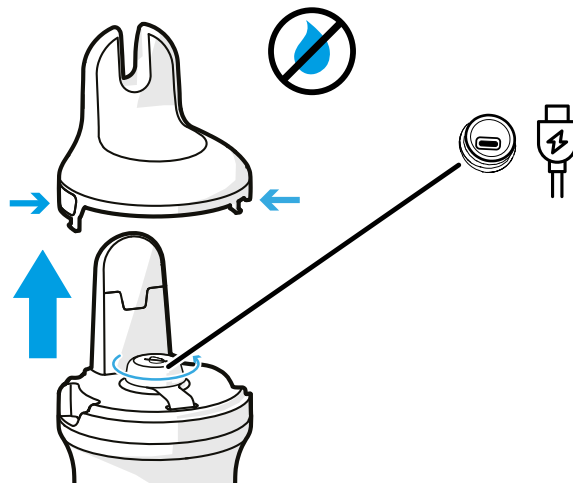
#### Lading



- Du må lade utstyret helt før det brukes. Det må alltid lades i stående loddrett stilling med transportfoten fylt med KCL-løsning eller vann.
- Under ladingen kan de målte verdiene (pH, ORP) være feil. Ikke ta hensyn til disse verdiene under ladingen.

Slik lader du Blue Connect:

1. **Tørk Blue Connect godt** og fjern topplokket ved å trykke på hver side og trekke oppover.
2. Skru løs ladeportkorken og koble USB-C-kabelen til utstyret og til en stikkontakt for å lade den.

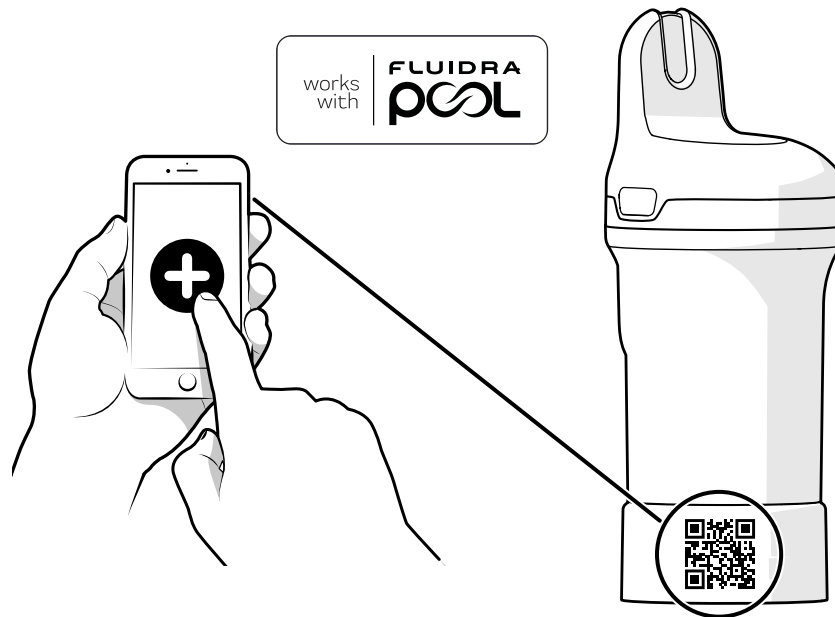


Ladeporten må være tørr før lading. Hånder utstyret med tørre hender på et tørt sted.

3. Etter lading, **skru ladeporten godt igjen** og sett toppen tilbake på Blue Connect

## Paring med appen

Åpne appen Fluidra Pool og klikk på **Legg til utstyr** for å pare Blue Connect. QR-koden som brukes til paringen, befinner seg på transportfoten og under toppløkket som tas av før lading.

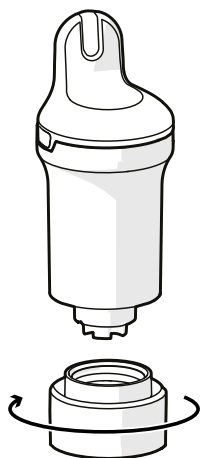


Når appen er tilkoblet, får du et varsel i appen hvis det finnes tilgjengelige oppdateringer av maskinvare. Følg instruksjonene i appen for å oppdatere produktet.

## Installasjon

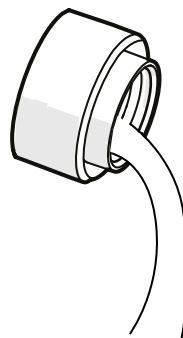
Før bruk må du ta av transportfoten og sette på sensorlokket.

1. Sett Blue Connect i stående stilling og skru løs transportfoten.

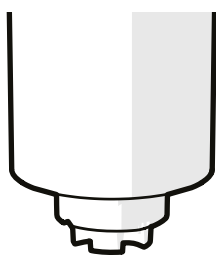


2. Tøm transportfoten og skyll den i rent vann. Sett til side.

**MERK:** Oppbevar transportfoten på et trygt sted for senere bruk.



3. Skyll sensoren i rent vann.

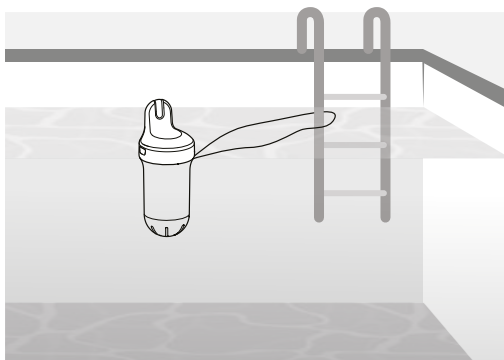


4. Skru på sensorlokket for å beskytte sensorene.



5. Legg Blue Connect i bassenget og la den flyte i vannet. Om nødvendig, kan du feste den til et festepunkt med snoren.

Sørg for at utstyret er i loddrett stilling og at toppen stikker ut av vannet slik at den kan kommunisere.

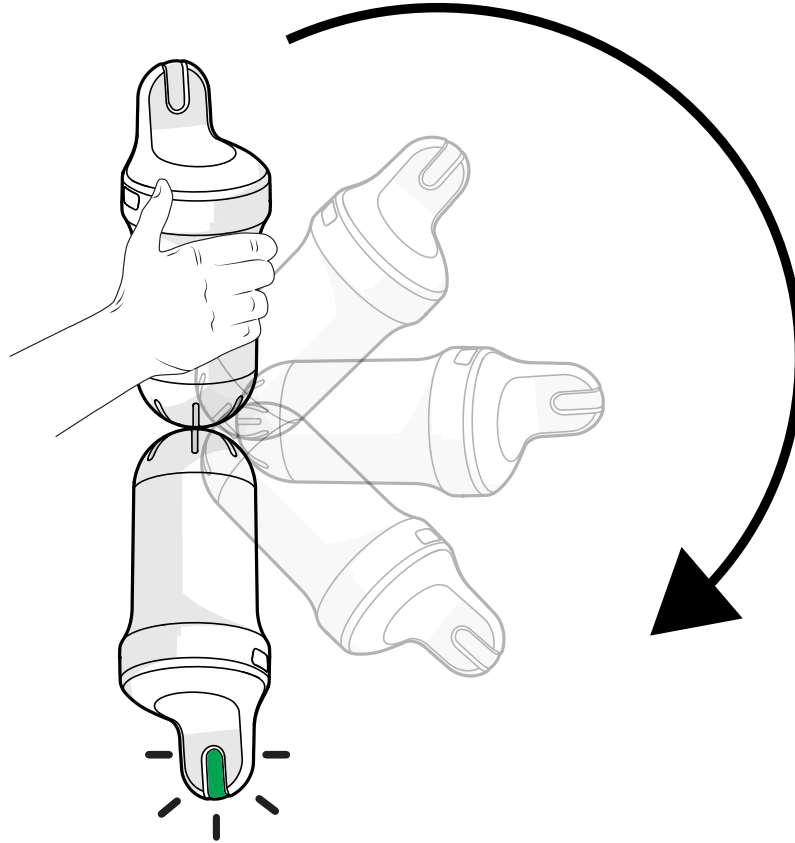


**For bassenger med bassengtrekk, anbefales det ikke å bruke snoren til å feste Blue Connect når bassengtrekket lukkes. Hvis utstyret er festet, kan det skyves ned i vannet slik at forbindelsen blir brutt.**

## 5. Indikatorlampe

LED-indikatorer på produktet gir informasjon om vannkvalitet, batteristatus og lading.

Hvis du vil sjekke status på vann/batteriet direkte på utstyret (istedenfor å se i appen), kan du ta utstyret ut av vannet og snu det opp ned som vist. Du må holde det opp ned i minst 1 sekund. Blue Connect slipper ut et pip og lampen lyser (se LED-status i tabellen nedenfor).



STATUS	LED-STATUS / PIP	BESKRIVELSE
Lader	Langsomt blinkende blått lys / 1 pip	Lader
	Fast blått lys	Ladet (full)
Ikke aktivert	Av	Utstyr ikke aktivert
Hurtig statussjekk (Se forklaring nedenfor)	3 røde blink / 3 pip	Lavt batteri
	Fast grønt lys 5 s / 1 pip	Vann OK
	Fast oransje lys 5 s / 1 pip	Vann ikke OK (vannkvaliteten må sjekkes og korrigeres. Du finner mer informasjon i appen Fluidra Pool.)
	Fast hvitt lys 5 s / 1 pip	Ingen vannstatus, utstyret er aktivert
Oppdatering av maskinvare	Hurtig blinkende blått lys / 1 pip	

## 6. VEDLIKEHOLD

Alt vedlikehold må gjøres med appen Fluidra Pool.

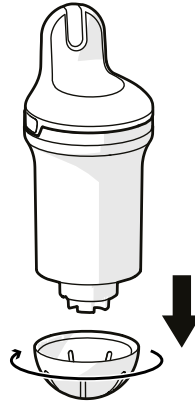


- Kalibreringsmidler er kun til engangsbruk. De må aldri brukes to ganger. Kontakt forhandleren din for å få et nytt middel.
- Kalibreringen må ikke utføres mens apparatet lades.

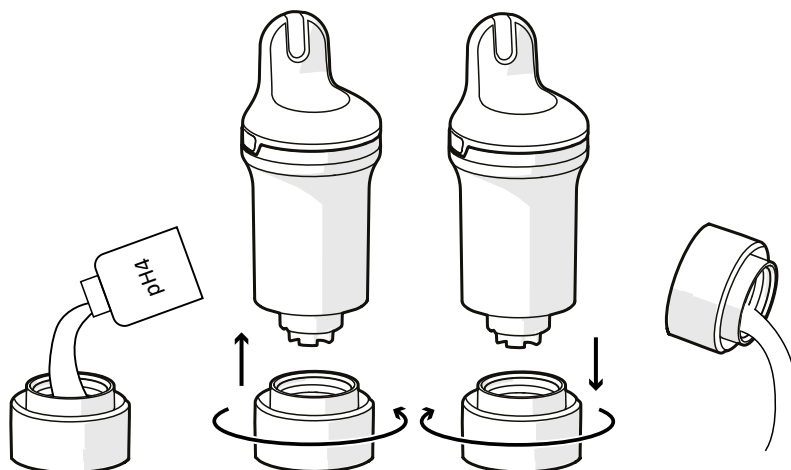
### Kalibrering av pH-sensoren

Kalibreringen av pH-sensoren må utføres én gang i sesongen. Du må bruke et kalibreringssett- kontakt den lokale forhandleren din for mer informasjon. Det er ikke nødvendig for den første installasjonen.

1. Ta utstyret ut av vannet, fjern sensorlokket og skyll sensoren i rent vann.



2. Skyll transportfoten med rent vann og tørk den godt.
3. Sørg for at Bluetooth® er aktivert på smarttelefonen. Opphold deg i nærheten av utstyret gjennom hele kalibreringsprosessen.
4. Velg produktet i appen, finn avsnittet om sensorkalibrering og følg trinnene som beskrives.
5. Sett en pH4-løsning i transportfoten og skru den på utstyret. Følg instruksjonene i appen.
6. Når pH4-målingen er utført, skru løs transportfoten og skyll sensoren. Tøm, skyll med rent vann og tørk av foten.



7. Gjenta trinn 5 med pH7-løsningen.



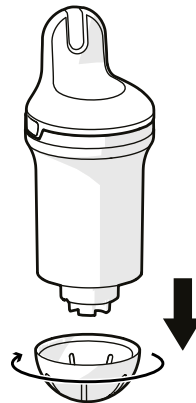
Skyll alltid sensoren og transportfoten med rent vann etter å ha brukt et kalibreringsmiddel for å unngå at de blandes.

8. Bekreft kalibreringen.
9. Installer sensordekslet på Blue Connect og legg det tilbake i svømmebassenget.

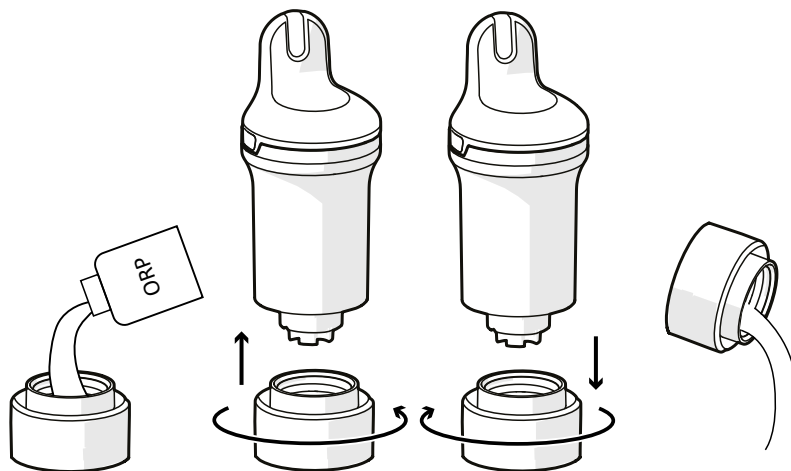
## Kalibrering av ORP-sensoren

Kalibrering av ORP-sensoren bør utføres en gang i sensongen. Du må bruke et kalibreringssett- kontakt den lokale forhandleren din for mer informasjon. Det er ikke nødvendig for den første installasjonen.

1. Ta utstyret ut av vannet, fjern sensorlokket og skyll sensoren i rent vann.



2. Skyll transportfoten med rent vann og tørk den godt.
3. Sørg for at Bluetooth® er aktivert på smarttelefonen. Opphold deg i nærheten av utstyret gjennom hele kalibreringsprosessen.
4. Velg produktet i appen, finn avsnittet om sensorkalibrering og følg trinnene som beskrives.
5. Sett en ORP-løsning i transportfoten og skru den på utstyret. Følg instruksjonene i appen
6. Når ORP-målingen er utført, skru løs transportfoten og skyll sensoren. Tøm, skyll med rent vann og tørk av foten.



- Skyll alltid sensoren og transportfoten med rent vann etter å ha brukt et kalibreringsmiddel for å unngå at de blandes.
- Etter kalibreringen av ORP/redox, kan det ta en viss tid før apparatet måler riktige verdier igjen. Vent minst 6 timer før du måler verdier i bassenget.

7. Bekreft kalibreringen.

8. Installer sensordekslet på Blue Connect og legg det tilbake i svømmebassenget.

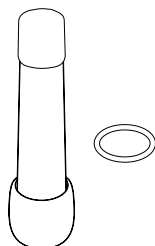
## Bytte sensor

Sensoren må byttes ut ca. hvert andre år. Kontakt forhandleren din for å få en ny sensor.



- For å sikre lengst mulig levetid for sensoren bør den oppbevares så lenge som mulig i et fuktig miljø. Hvis du tar utstyret ut av vannet, må du installere transportfoten med KCl (mettet kaliumklorid), pH4 eller, eller som siste løsning, bassengvann.
- En lav pH (med riktige bassengparametere) forlenger levetiden til sensoren.
- Når sensoren byttes ut, må du sørge for at produktet ikke er åpent for lenge fordi tørkemiddel kan trekke til seg fuktighet og deretter frigjøre denne fuktigheten i produktet når det er lukket.

### Sett for sensorbytte

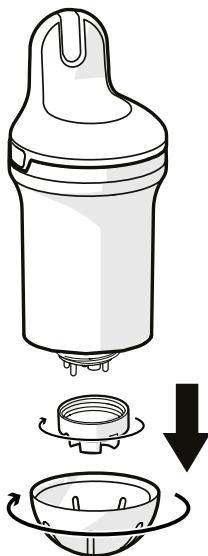


### Installasjon

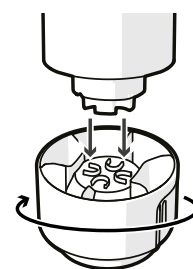


**Det anbefales på det sterkeste å utføre denne prosedyren med produktet i loddrett, stående posisjon slik at det ikke kommer vann ned i utstyret.**

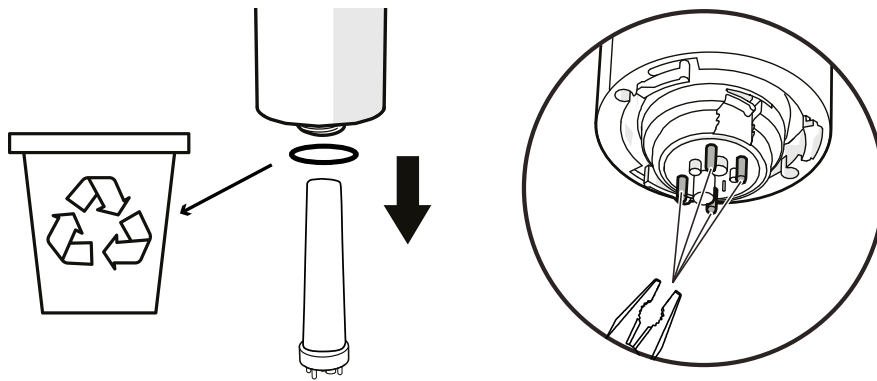
1. Velg produktet i appen, finn avsnittet om sensorbytte og følg trinnene som beskrives.
2. Ta Blue Connect ut av vannet. Tørk utstyret og start prosedyren på et tørt, rent sted.
3. Ta av sensorlokket og sensordekselet.



Ved behov kan du bruke undersiden av transportfoten for å skru løs sensordekselet.

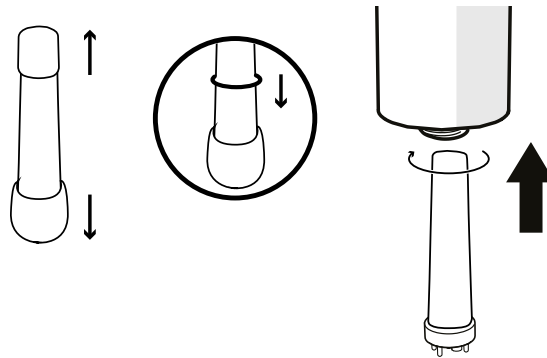


4. Dra forsiktig i de fire plasttuppene til sensoren. Ved behov kan du forsiktig bruke en tang for å fjerne sensoren (se forstørrelsen). Tørk av eventuelt restvann og hold utstyret loddrett. Sørg for å fjerne pakningen og kast den (den kan sitte fast på innsiden).



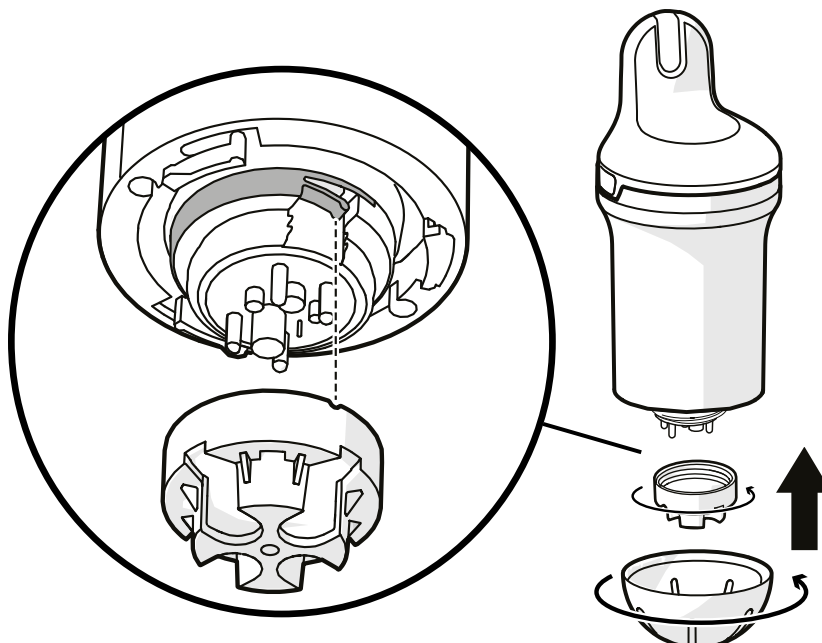
5. Skann QR-koden til den nye sensoren

6. Ta beskyttelsesdekslet av den nye sensoren. Sett den nye pakningen på sensoren. Stikk inn sensoren og vri den inntil den er plassert riktig.



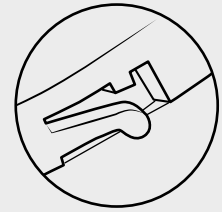
- **Vær forsiktig. Du må ikke miste sensoren fordi den er svært skjør.**
- **IKKE bruk verktøy og IKKE berør sensorområdet når du installerer den, eller risikerer du å skade den.**
- **Disse trinnene bør utføres så raskt som mulig for å unngå å ha utstyret åpent for lenge.**

7. Skru sensordekslet godt fast på utstyret inntil det klikker på plass (se forstørrelsen). Du kan bruke undersiden av transportfoten for å stramme det til. Deretter installerer du sensorlokket. Sett Blue Connect tilbake i vannet.





**Sensordekslet må skrus på slik at den lille klaffen klikker på plass som vist i figuren. Hvis ikke, kan produktet bli skadet.**



Sensoren kan ha behov for noen timer til å stabilisere parameterne sine etter at den legges i svømmebassenget for første gang.

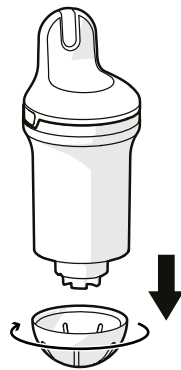
## Overvintring

For å holde utstyret i god stand, må det lagres riktig om vinteren. Da er det viktig å sette det i vintermodus. Sørg for at det er fullt lagret før du følger prosedyren nedenfor.

### Vintermodus

Utstyret må settes i vintermodus før det lagres for vinteren. **Vintermodus kan ikke aktiveres hvis utstyret lader.**

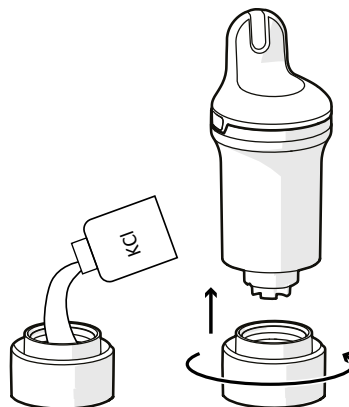
1. Ta Blue Connect ut av vannet. Ta av sensorlokket.



2. Sørg for at Internet (trådløs eller 4G) og Bluetooth® er aktivert på smarttelefonen. Opphold deg i nærheten gjennom hele standby-prosessen.

3. Sett utstyret i vintermodus: velg produktet i appen, finn vintermodus og følg instruksjonene.

4. Skyll transportfoten med rent vann og tørk den. Hell KCl (mettet kaliumklorid) eller pH4 (eller som sist løsning, vann) i transportfoten og skru den på.





KCl i transportfoten kan føre til at det dannes opphoping av salt mellom foten og utstyret, men dette er uansett ikke farlig. Skyll det ganske enkelt med rent vann.

5. Bekreft vintermodus og lagre Blue Connect på et frostfritt sted.

## Lagring

Hvis du trenger å ta Blue Connect ut av bassenget i over en time, installer transportfoten med KCl (mettet kaliumklorid), pH4 eller som siste løsning, bassengvann, fordi sensoren ikke må være tørr.

## Reaktivering etter overvintring

For å reaktivere Blue Connect etter overvintringen kobler du den ganske enkelt til en stikkontakt for å lade batteriet. Da aktiveres utstyret igjen.

# 7. FEILSØKING

PROBLEM	LØSNING
Paring feilet	Ikke bland bokstaver og tall (f.eks. B og 8, I og 1 osv.) i adgangskoden.
Målingene er ikke riktige.	<ul style="list-style-type: none"> <li>Sjekk kalibreringen av sensoren.</li> <li>En luftboble kan føre til feil målinger. Flytt apparatet langsomt for å prøve å bli kvitt boblene.</li> </ul>
Avvikende målinger (pH og ORP)	Bobler på sensoren kan være årsaken. Rist utstyret under vann for å bli kvitt boblene og mål på nytt.
Det skjer ingenting når utstyret snus opp ned for å sjekke status	<ul style="list-style-type: none"> <li>Snu utstyret langsomt og hold det opp ned i minst 1 sekund.</li> <li>Koble det til en stikkontakt for å lade det.</li> </ul> <p>Hvis LED-lampen fortsatt ikke lyser, kontakt forhandleren din.</p>
Utstyret lader ikke (ingen blå LED-lampe)	<ul style="list-style-type: none"> <li>Sjekk laderen</li> <li>Sjekk USB-C-kabelen</li> </ul> <p>Hvis utstyret fortsatt ikke lader, kontakt forhandleren din.</p>
Når du vil koble utstyret ditt til Bluetooth, registreres ikke utstyret og det vises ikke på listen over utstyr.	<ul style="list-style-type: none"> <li>Sjekk om Bluetooth® er aktivert på smarttelefonen</li> <li>Sjekk om utstyret allerede er koblet til en annen smarttelefon</li> <li>Lad utstyret</li> </ul> <p>Hvis utstyret fortsatt ikke lader, kontakt forhandleren din.</p>
Du ser ikke fargen på vannstatusen etter å ha snudd produktet opp ned.	<ul style="list-style-type: none"> <li>Sjekk på et mørkere sted eller ved å lage en skygge med hånden</li> <li>Lad utstyret</li> </ul>
Du må lade utstyret ofte	<ul style="list-style-type: none"> <li>Sjekk kvaliteten på det trådløse signalet</li> <li>Prøv å sette utstyret på et annet sted i bassenget</li> <li>Sett opp en trådløs forsterker nær bassenget</li> </ul>
Den rapporterte dataen er helt utenfor skalaen	Sjekk om sensoren er i utstyret, om mutteren er skrudd godt fast og om skrumerket er på plass.

PROBLEM	LØSNING
Kondens oppstår i LED-området	Dette er normalt og påvirker ikke produktets funksjon. Kondensen vil forsvinne etter riktig lagring i mer enn 6 dager.
Produktet kobler ikke til Wi-Fi	Flytt produktet nærmere Wi-Fi-boksen.
Ingen måling ved første installasjon eller etter overvintring	Sensoren er for tørr. La sensoren ligge i vann i 24 timer, kalibrer den og sjekk om sensoren fungerer som den skal.

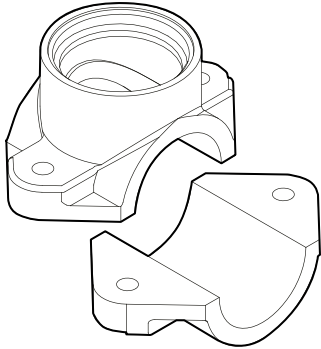
## 8. BLUE FIT 50 PRESENTASJON

Blue Fit50 er en rørklemme som er kompatibel med Blue Connect. Den brukes til å installere Blue Connect på rørsystemet i det tekniske rommet.



Blue Fit50 er et tilbehør til Blue Connect. Det selges separat.

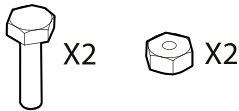
## 9. BLUE FIT50 BESKRIVELSE



En rørklemme



En gjenget kork



To skruer og bolter

### Forholdsregler for bruk

- Ikke la Blue Connect være på Blue Fit50 når det ikke er vann i rørene.
- Når det utføres arbeid på vannkretsen (risiko for vannslag), anbefales det å fjerne Blue Connect for å unngå å skade produktet.
- Sørg for å ha tilstrekkelig flyt i rørsystemet slik at Blue Connect kan foreta målinger.
- Blue Connect må alltid settes loddrett med sensoren pekende nedover.
- Blue Connect må ikke lades når den er installert på Blue Fit50. Ta den av før lading.
- Apparatet må ikke lades hele tiden. De målte verdiene kan være feil under ladingen

## 10. BLUE FIT50 INSTALLASJON

Blue Fit50 skal alltid installeres etter filteret (for å unngå å skade sensorene) og før utstyrets injeksjonssystem eller elektrolyse (for å unngå at målingene til Blue Connect blir feil).

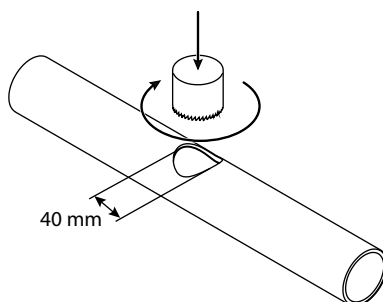
Maksimalt tillatt vanntrykk for installasjonen i røret i 300 kPa.

Ved behov, spør bassengspesialisten om råd hvis du er i tvil.

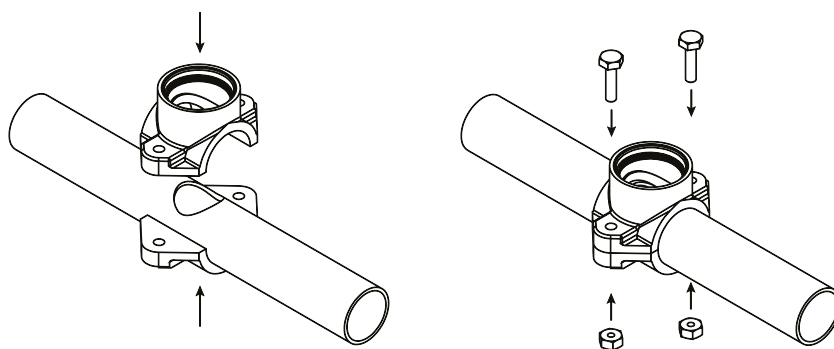
1. Skru av filtreringssystemet.
2. Drill et hull i den øvre delen av røret med en 40 mm diameter hullsag.



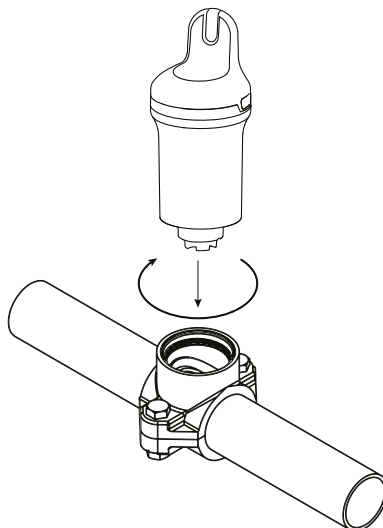
Blue Connect må stå loddrett med sensoren pekende nedover.



3. Sett begge delene av rørklemmen på hver side av røret slik at hullene står overfor hverandre, og skru fast rørklemmen.

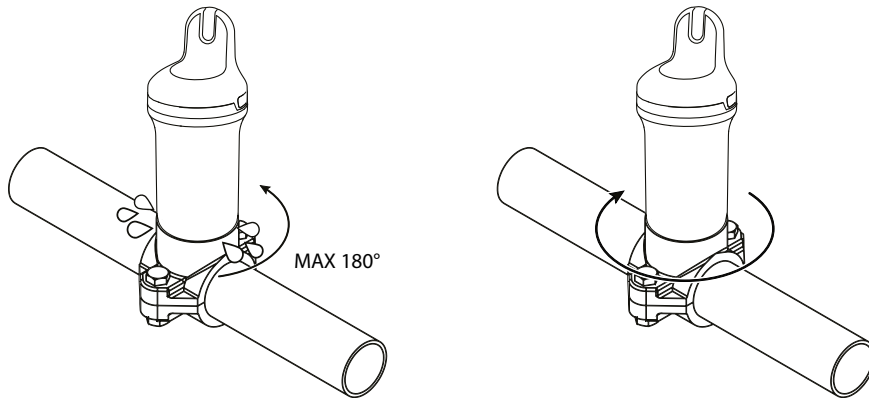


4. Skru Blue Connect på rørklemmen. Den øvre leppen på Blue Connect må være parallell med røret.



5. Slå på filtreringssystemet.

6. Skru løs Blue Connect gradvis og langsomt (maksimalt ½ omdreining) for å slippe løs eventuell luft. Så snart vannet kommer ut, betyr det at det ikke er luft igjen i rørene, og du kan da skru Blue Connect godt fast igjen.

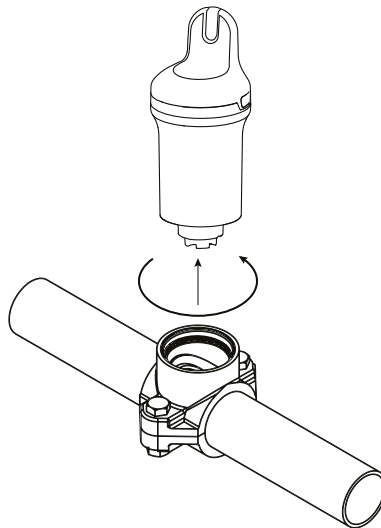


7. Velg produktet i appen og finn avsnittet om å aktivere Blue Fit50. Følg instruksjonene.

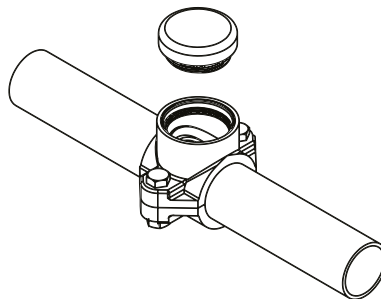
## 11. BLUE FIT50 OVERVINTRING

Følg denne prosedyren når du gjør Blue Connect klar for overvintring.

1. Slå av filterpumpen, lukk ventilene og skru løs Blue Connect.



2. Lukk rørklemmen med korken som følger med Blue Fit50.



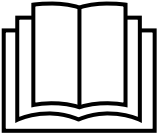
3. Følg prosedyren for Blue Connect Overvintring (se [Overvintring, side 184](#)).

# SISÄLTÖ

1.	BLUE CONNECT -ESITTELY .....	191
	Yleiskatsaus.....	191
2.	KUVAUS.....	192
3.	SOVELLUKSEN ASENTAMINEN.....	193
	Lataa sovellus.....	193
4.	BLUE CONNECT - ASENNUS.....	193
	Lataus.....	193
	Yhteyden muodostaminen sovelluksen kanssa.....	194
	Asennus.....	195
5.	TILAN LED-VALO .....	196
6.	HUOLTO.....	197
	pH Anturin kalibrointi.....	197
	ORP-anturin kalibrointi .....	198
	Anturin vaihto .....	199
	Talvehtiminen .....	201
7.	VIANMÄÄRITYS .....	202
8.	BLUE FIT 50 -ESITTELY .....	204
9.	BLUE FIT50 -KUVAUS.....	204
	Käyttöön liittyvät varoitukset.....	204
10.	BLUE FIT50 -ASENNUS.....	205
11.	BLUE FIT50 -TALVEHTIMINEN.....	206



**Kierrätys** Eurooppalainen direktiivi WEEE 2012/19/EU (sähkö- ja elektroniikkaromudirektiivi) edellyttää tätä symbolia, ja se tarkoittaa, että laitettasi ei saa heittää tavalliseen roskakoriin. Se on hävitettävä valikoidusti uudelleenkäyttöä, kierrätystä tai muuntamista varten. Jos se sisältää ympäristölle mahdollisesti haitallisia aineita, nämä aineet on eliminoidava tai tehtävä vaarattomiksi. Pyydä tietoja kierrätyksestä jälleenmyyjältäsi.



- Ennen laitteen käyttöä on tärkeää, että luet tuotteen mukana toimitetut turvavaroitukset ja takuulehtisen. Jos et tee niin, seurauksena voi olla vakava tai kuolemaan johtava loukkaantuminen, materiaalivahinko ja takuun kumoaminen.
- Pidä nämä asiakirjat ja anna ne omistajan vaihtuessa myöhempää tarvetta varten koko laitteen käyttöön ajaksi.
- Tämän asiakirjan jakelu tai muokkaaminen millä tavalla tahansa on kiellettyä ilman valmistajan etukäteen antamaa lupaa.
- Valmistaja kehittää tuotteitaan jatkuvasti laadun parantamiseksi. Valmistaja pidättää oikeuden muuttaa tuotteen ominaisuuksia tai tämän asiakirjan sisältöä osittain tai kokonaan ilman ennakkovaroitusta.

## 1. BLUE CONNECT -ESITTELY

---

Blue Connect mittaa uima-altaasi tärkeitä parametrejä (lämpötila, pH, kloori, johtokyky). Se antaa myös tietoja maantieteelliseen sijaintiisi perustuvasta ulkoisesta lämpötilasta ja säätilasta. Saat tämän analyysin tulokset Fluidra Pool-sovelluksen kautta lähetettyinä ilmoituksina (sovellus on saatavilla älypuhelimille ja tableteille, se on yhteensopiva Androidin™ ja iOS:in kanssa). Jos laite havaitsee, että yksi parametreistä on virheellinen, saat hälytyksen ja tietoja korjaavista toimenpiteistä, jotta voit säätää ja vakauttaa tämän parametrin ja ylläpitää terveellisen ja vakaan vedenlaadun.

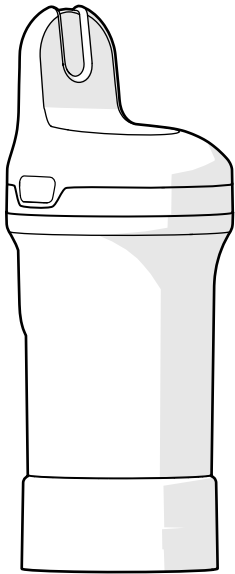
### Yleiskatsaus

Blue Connect mittaa seuraavaa:

- **Veden lämpötila** (°C): Mittaa veden lämpötilan. Korkea lämpötila vähentää kloorin tehokkuutta ja edistää mikro-organismien kehittymistä.
- **pH** (vetypotentiaali): Mittaa veden emäksisyyttä tai happamuutta. pH vaikuttaa puhdistusaineen tehokkuuteen.
- **ORP/REDOX** (hapetus-pelkistyspotentiaali / redox-potentiaali): ORP tai REDOX mittaa veden hapetuskykyä mV:ssä. Se antaa tietoja veden puhdistuskyvystä.
- **Johtokyky** (µS): Mittaa vedessä olevien epäorgaanisten suolojen pitoisuutta sillä, miten se johtaa sähköä (mallikohtainen).
- **Suolapitoisuus** (g/L): Mittaa veteen liuenneen suolan pitoisuutta (mallikohtainen).

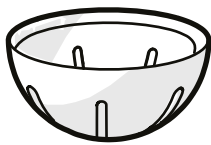
## 2. KUVAUS

---



**Blue Connect** - Toimitetaan säilytystuen kanssa, joka suojaa anturia kuljetuksen aikana. Anturi on upotettu kyllästettyyn kaliumkloridiin (KCl), joka suojaa anturia.

**Säilytystuki** - Käytetään anturin kuljettamiseen veden ulkopuolella tai antureiden upottamiseen, kun ne ovat varastossa pidemmän aikaa (esimerkiksi latauksen aikana tai talvisin).

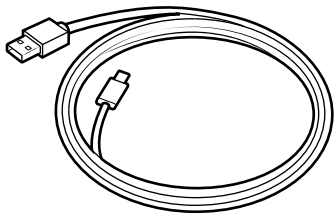


**Anturin suojus** - Sen on oltava aina laitteessa ennen veteen laskemista. Se suojaa antureita kaikilta vahingoilta.



**Johto** - Käytetään laitteen kiinnittämiseen kiinnityspisteeseen (valinnainen).

Saatat tarvita pieniä pihtejä asettaaksesi sen tuotteen sivulla olevan aukon läpi.

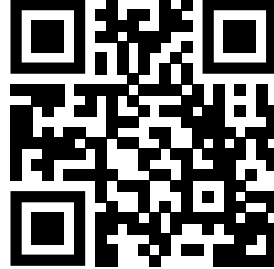


**USB-C-kaapeli** - Käytetään lataamiseen

### 3. SOVELLUKSEN ASENTAMINEN

#### Lataa sovellus

Lataa Fluidra Pool-sovellus ja seuraa ohjeita tilin luomiseksi ja altaasi asetusten tekemiseksi.



### 4. BLUE CONNECT - ASENNUS

Tee seuraavat vaiheet, jotta Blue Connect on käyttövalmis:

- Lataa laite,
- Yhdistä laite Fluidra Pool-sovellukseen
- Asenna anturin suojus ja laita se altaaseen

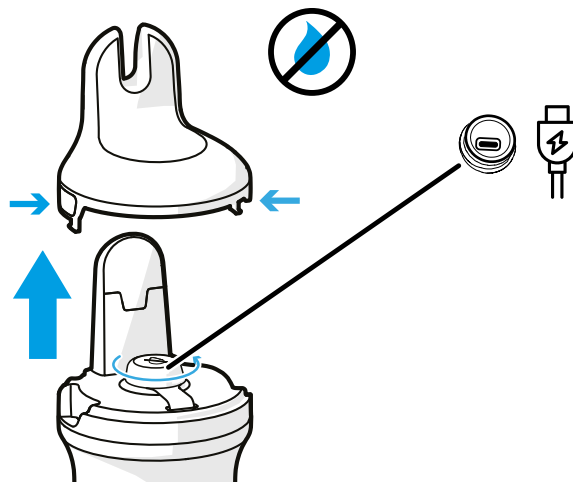
#### Lataus



- Sinun on ladattava laite täyteen ennen käyttöä. Lataa se aina pystyasennossa käyttämällä säilytystukea, joka on täytetty KCI-liuoksella tai vedellä.
- Mitatut arvot (pH, ORP) voivat olla virheellisiä lataamisen aikana. Älä ota näitä arvoja huomioon lataamisen aikana.

Blue Connectin lataus:

1. **Kuivaa Blue Connect huolellisesti** ja poista sitten yläkansi painamalla molemmilta sivuilta ja vetämällä kantta ylöspäin.
2. Kierrä latausportin suojus auki ja liitä USB-C-kaapeli laitteeseen ja virtapistokkeeseen latausta varten.

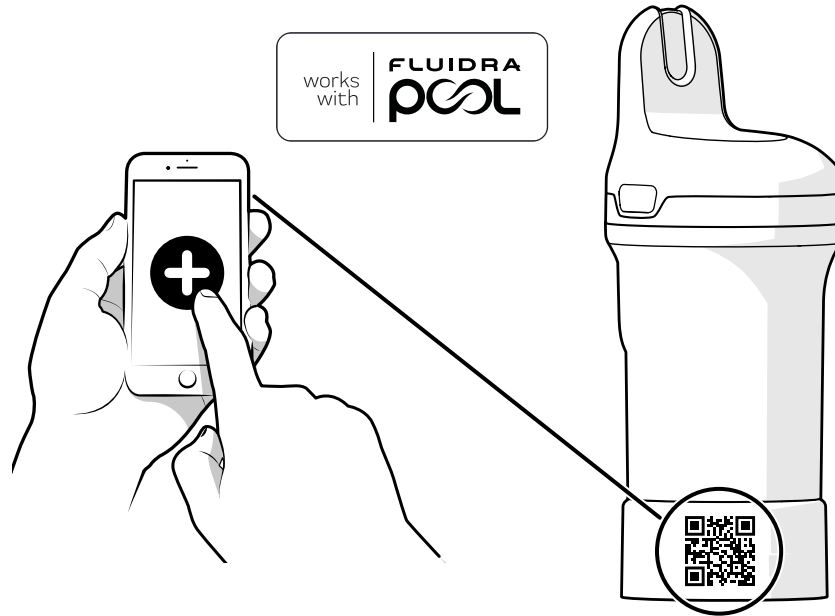


**Latausportin on oltava kuiva ennen lataamista. Käsittele kuivin käsin kuivalla alueella.**

3. Latauksen jälkeen **sulje latausportti tiukasti** ja aseta yläkansi takaisin Blue Connectin päälle

## Yhteyden muodostaminen sovelluksen kanssa

Avaa Fluidra Pool-sovellus ja napsauta **Lisää laite** muodostaaksesi yhteyden Blue Connectin kanssa. Yhteyden muodostamiseen käytettävä QR-koodi sijaitsee säilytystuessa ja yläkannen alla, joka poistetaanlatausta varten.

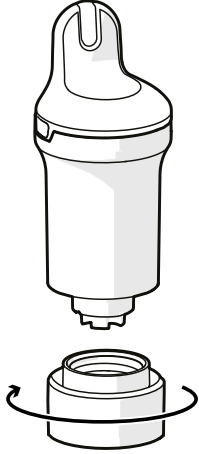


Kun olet muodostanut yhteyden sovellukseen, saat sovellukseen ilmoituksen, kun laiteohjelmistopäivityksiä on saatavilla. Päivitä tuote seuraamalla sovelluksen ohjeita.

## Asennus

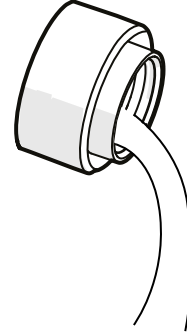
Ennen käyttöä poista säilytystuki ja asenna anturin suojus.

1. Laita Blue Connect pystyasentoon ja avaa säilytystuki.

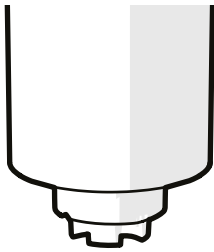


2. Tyhjennä säilytystuki ja huuhtele puhtaalla vedellä. Aseta se sivuun.

**HUOMAUTUS:** Säilytä säilytystuki turvallisessa paikassa myöhempää käyttöä varten.



3. Huuhtele anturi puhtaalla vedellä.

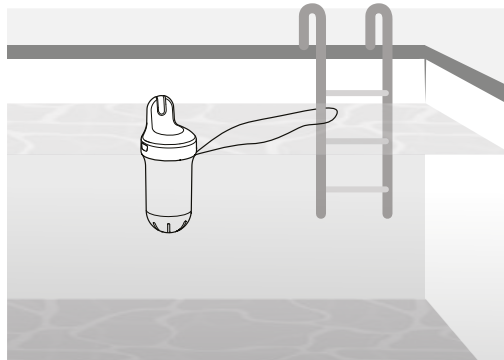


4. Ruuvaa anturin suojus anturien suojelemiseksi.



5. Laita Blue Connect altaaseen ja jätä se kellumaan veteen. Voit tarvittaessa kiinnittää sen kiinnityspisteeseen johdolla.

Varmista, että laite on pystyasennossa ja että kansi on veden yläpuolella hyvän kommunikoinnin varmistamiseksi.

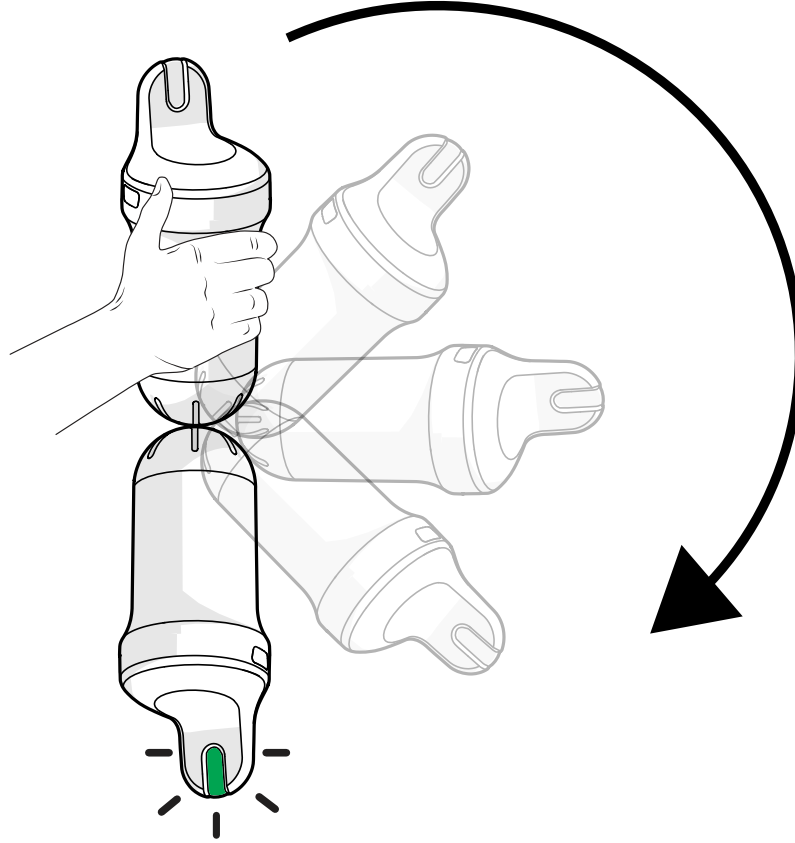


**Allaskansilla varustetuille altaille ei suositella Blue Connectin kiinnittämistä johdolla, kun allaskansi suljetaan. Jos se on kiinnitetty johdolla, laite saattaa upota veteen ja menettää yhteyden.**

## 5. TILAN LED-VALO

Tuotteessa oleva LED-merkkivalo antaa tietoja veden laadusta, akun tilasta ja latauksesta.

Jos haluat tarkistaa veden/akun tilan suoraan laitteesta (sovelluksen sijaan), ota laite pois vedestä ja käännä se ylösalaisin kuvan näyttämällä tavalla. Pidä sitä ylösalaisin vähintään 1 sekunnin ajan. Blue Connectista kuuluu äänimerkki ja LED-valo syttyy (katso LED-tilataulukko alta).



TILA	TILAN LED-VALO/ÄÄNIMERKKI	KUVAUS
Ladataan	Hitaasti vilkkuva sininen valo / 1 äänimerkki	Ladataan
	Kiinteä sininen valo	Ladattu (täyteen)
Ei aktivoitu	Pois päältä	Laitetta ei ole aktivoitu
Nopea tilan tarkistus (Katso selitys alla)	3 vilkkuvaa punaista valoa / 3 äänimerkkiä	Alhainen akku
	Kiinteä vihreä valo 5s / 1 äänimerkki	Vesi OK
	Kiinteä oranssi valo 5s / 1 äänimerkki	Vesi ei ok (veden laatu on tarkistettava ja korjattava. Katso lisätietoja Fluidra Pool -sovelluksesta.)
	Kiinteä valkoinen valo 5s / 1 äänimerkki	Ei veden tilaa, laite päällä
Laiteohjelmistopäivitys	Nopeasti vilkkuva sininen valo / 1 äänimerkki	

## 6. HUOLTO

Kaikki huoltotoimet on tehtävä käyttämällä Fluidra Pool-sovellusta.

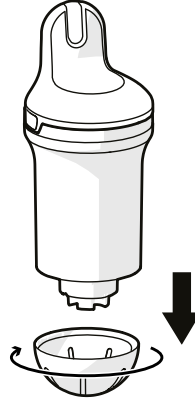


- Kalibrintituotteet ovat kertakäyttöisiä. Älä koskaan käytä niitä uudelleen. Hanki uusi tuote jälleenmyyjältäsi.
- Kalibrointia ei saa suorittaa laitteen lataamisen aikana.

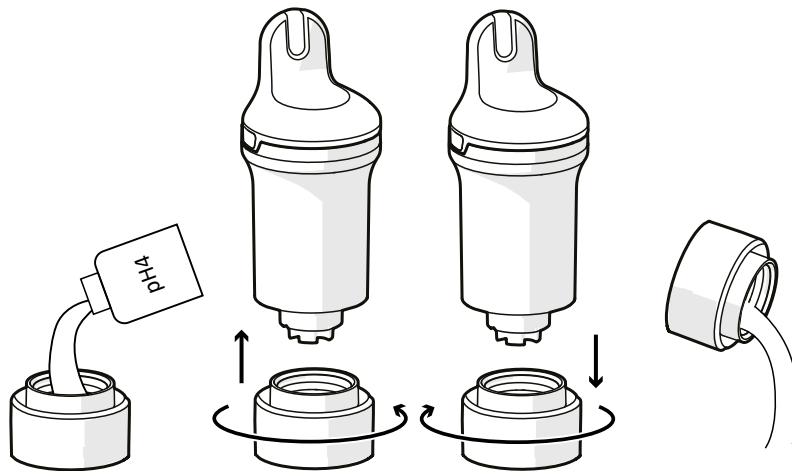
### pH Anturin kalibrointi

pH-anturin kalibrointi tulisi tehdä kerran kauden aikana. Tarvitset kalibrintipaketin- pyydä lisätietoja paikalliselta jälleenmyyjältä. Sitä ei tarvita ensimmäisen asennuksen aikana.

1. Ota laite pois vedestä, poista anturin suojus ja huuhtele anturi puhtaalla vedellä.



2. Huuhtele säilytystuki puhtaalla vedellä ja pyyhi se kuivaksi.
3. Varmista, että Bluetooth® on aktivoitu älypuhelimessasi. Pysy laitteen vieressä koko kalibrointiprosessin ajan.
4. Valitse sovelluksessa tuote, etsi anturin kalibrointiosio ja seuraa opastettuja vaiheita.
5. Laita pH4-liuos säilytystukeen ja ruuvaa se kiinni laitteeseen. Seuraa sovelluksen ohjeita.
6. Kun pH4-mittaus on suoritettu, kierrä säilytystuki auki ja huuhtele anturi. Tyhjennä, huuhtele puhtaalla vedellä ja pyyhi tuki.



7. Toista vaihe 5 pH7-liuoksella.



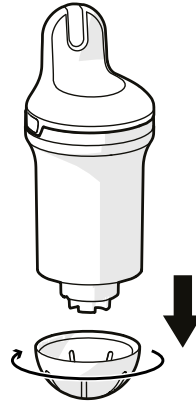
Puhdista anturi ja säilytystuki aina puhtaalla vedellä kalibrintituotteen käytön jälkeen, jotta ne eivät sekoitu keskenään.

8. Vahvista kalibrointi.
9. Asenna anturin suojus Blue Connectiin ja laita se takaisin uima-altaaseen.

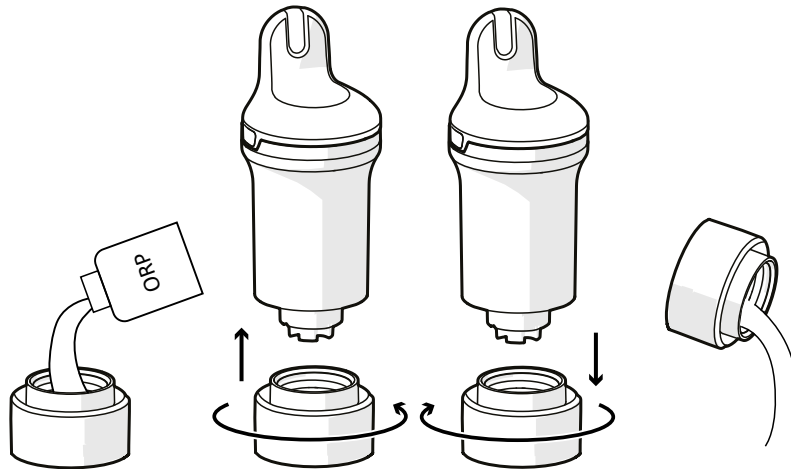
## ORP-anturin kalibrointi

ORP-anturin kalibrointi tulisi tehdä kerran kauden aikana. Tarvitset kalibroitipaketin- pyydä lisätietoja paikalliselta jälleenmyyjältä. Sitä ei tarvita ensimmäisen asennuksen aikana.

1. Ota laite pois vedestä, poista anturin suojuks ja huuhtele anturi puhtaalla vedellä.



2. Huuhtele säilytystuki puhtaalla vedellä ja pyyhi se kuivaksi.
3. Varmista, että Bluetooth® on aktivoitu älypuhelimessasi. Pysy laitteen vieressä koko kalibrointiprosessin ajan.
4. Valitse sovelluksessa tuote, etsi anturin kalibrointiosio ja seuraa opastettuja vaiheita.
5. Laita ORP-liuos säilytystukeen ja ruuvaa se kiinni laitteeseen. Seuraa sovelluksen ohjeita
6. Kun ORP-mittaus on suoritettu, kierrä säilytystuki auki ja huuhtele anturi. Tyhjennä, huuhtele puhtaalla vedellä ja pyyhi tuki.



- Puhdista anturi ja säilytystuki aina puhtaalla vedellä kalibrointituotteen käytön jälkeen, jotta ne eivät sekoitu keskenään.
- ORP/redox-kalibroinnin jälkeen oikeiden mittausten saaminen voi kestää hetken. Odota vähintään 6 tuntia ennen kuin suoritat mittauksen uima-altaassa.

7. Vahvista kalibrointi.

8. Asenna anturin suojuks Blue Connectiin ja laita se takaisin uima-altaaseen.

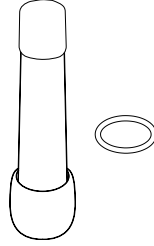
## Anturin vaihto

Anturi on vaihdettava noin kahden vuoden välein. Hanki uusi anturi jälleenmyyjältäsi.



- Säilytä anturia mahdollisimman pitkään kosteassa ympäristössä sen pitkäikäisyyden takaamiseksi. Jos sinun on poistettava laite vedestä, sinun on asennettava säilytystuki, jossa on KCl:tä (kyllästetty kalium-kloridi) tai pH4:tä, tai viimeisenä vaihtoehtona allasvettä.
- Alhainen pH (asianmukaisten allasparametrien sisällä) parantaa anturin pitkäikäisyyttä.
- Kun vaihdat anturin, varmista että tuote ei ole auki liian pitkään, sillä kuivausaine voi imeä kosteutta ja vapauttaa tämän kosteuden tuotteeseen, kun se on suljettu

### Anturin vaihtopaketti

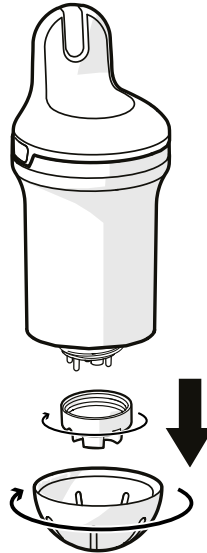


### Asennus

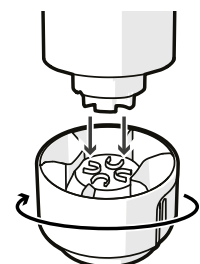


**On erittäin suositeltavaa suorittaa tämä toimenpide pitämällä tuote pystyasennossa, jotta vesi ei pääse laitteen sisään.**

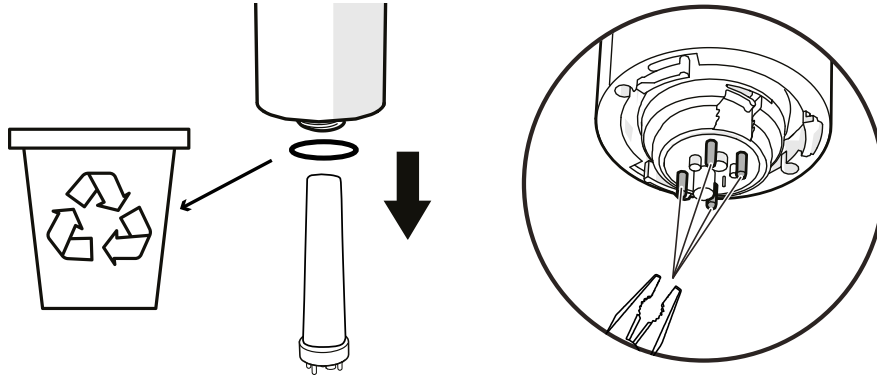
1. Valitse sovelluksessa tuote, etsi anturin vaihto-osio ja seuraa opastettuja vaiheita.
2. Ota Blue Connect pois vedestä. Pyyhi laite kuivaksi ja aloita toimenpide kuivassa ja puhtaassa paikassa.
3. Poista anturin suojus ja anturin kansi.



Voit tarvittaessa käyttää säilytystuen alapuolta anturin kannen avaamiseksi ja poistamiseksi.

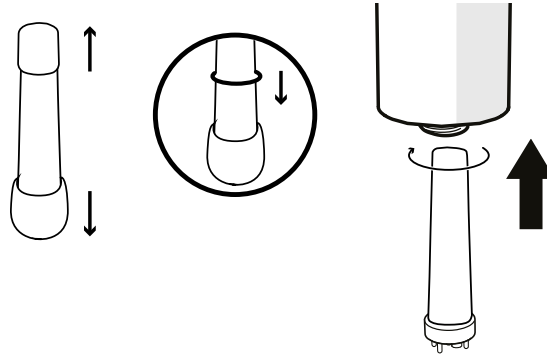


4. Vedä varoen anturin neljästä muovikärjestä. Voit tarvittaessa poistaa anturin varovasti pois pihdeillä (katso lähikuva). Pyyhi ylimääräinen vesi pois ja pidä laite pystyasennossa. Varmista, että poistat tiivisteet ja heität sen pois (muuten se voi juuttua sisään).



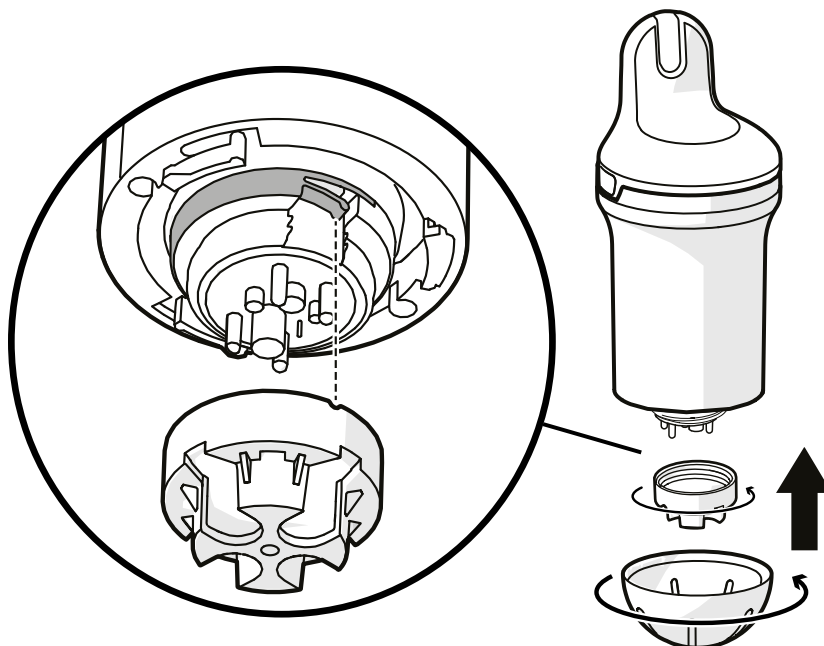
5. Skannaa uuden anturin QR-koodi

6. Poista uuden anturin suojakansi. Aseta uuden anturin uusi tiiviste. Aseta anturi ja käännä sitä, kunnes se on oikein paikoillaan.



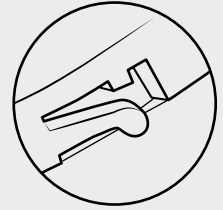
- Älä pudota anturia, sillä se on erittäin hauras.
- ÄLÄ käytä työkaluja ÄLÄKÄ koske anturin tunnistusalueita asennuksen aikana, jotta et vahingoita sitä.
- Nämä vaiheet on suoritettava mahdollisimman nopeasti, jotta laite ei ole auki liian pitkään.

7. Ruuvaa anturin kansi tiukasti laitteeseen, kunnes se napsahtaa paikoilleen (katso lähikuva). Voit käyttää säilytystuen alapuolta sen kiristämiseksi. Asenna sitten anturin suojuks ja laita Blue Connect takaisin veteen.





**Anturin kannen on oltava ruuvattu kiinni, jotta pieni kieleke menee paikoilleen kuvan osoittamalla tavalla. Muuten tuote voi vahingoittua.**



Anturin parametrien vakauttamiseen voi mennä muutama tunti sen jälkeen, kun se on upotettu ensimmäistä kertaa uima-altaaseen

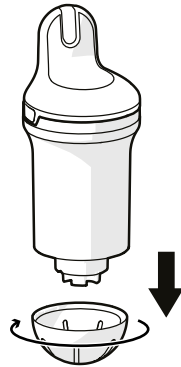
## Talvehtiminen

Jotta laitteesi pysyy hyvässä käyttökunnossa, varastoi se oikealla tavalla asettamalla se talvitilaan. Varmista, että laite on täyteen ladattu ennen kuin teet alla olevaa toimenpiteen.

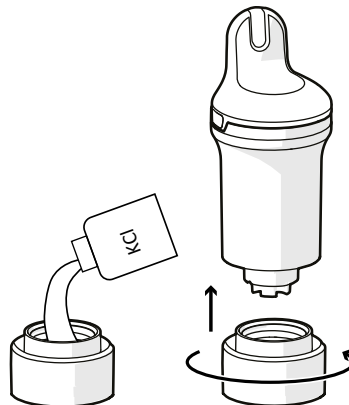
### Talvitila

Sinun on laitettava laite talvitilaan ennen kuin varastoit sen talveksi. **Talvitilaa ei voida aktivoida, jos laitetta ladataan.**

1. Poista Blue Connect vedestä. Poista anturin suojus.



2. Varmista, että älypuhelimessasi on Internet- (Wi-Fi tai 4G) ja Bluetooth®-yhteys Pysy laitteen vieressä koko valmistusprosessin ajan.
3. Aseta laite talvitilaan. Valitse sovelluksessa tuote, etsi talvitila ja noudata opastettuja vaiheita.
4. Huuhtelee säilytystuki puhtaalla vedellä ja pyyhi se. Täytä säilytystuki KCl:lla (kyllästetty kaliumkloridi) tai pH4:lla (tai viimeisimpänä vaihtoehtona, vedellä) ja ruuvaa se kiinni laitteeseen.





Säilytystuessa oleva KCl voi aiheuttaa suolan kerääntymistä tuen ja laitteen rungon yhdistymiskohdassa, mutta se ei ole vaarallista. Huuhtelee se vain puhtaalla vedellä.

5. Vahvista talvitila ja varastoi Blue Connect suojaan pakkaselta.

## Säilytys

Jos sinun on nostettava Blue Connect pois altaasta yli tunniksi, asenna säilytystuki, jossa on KCl:tä (kyllästetty kaliumkloridi), pH4:tä tai, viimeisimpänä vaihtoehtona allasvettä, sillä anturia ei saa jättää kuivaksi.

## Uudelleenaktivointi talvehtimisen jälkeen

Aktivoi Blue Connect uudelleen talvehtimisen jälkeen kytkemällä se akun lataamiseksi. Tämä herättää laitteen.

# 7. VIANMÄÄRITYS

ONGELMA	RATKAISU
Yhteyden muodostaminen laitteeseen epäonnistui	Älä sekoita kirjaimia ja numeroita (esim. B ja 8, I ja 1, jne.) pääsykoodissa.
Mittaukset ovat virheellisiä.	<ul style="list-style-type: none"> <li>Tarkista anturin kalibrointi.</li> <li>Ilmakupla voi vääristää mittaustuloksia. Siirrä laitetta hitaasti poistaaksesi kuplat.</li> </ul>
Oudot mittaukset (pH ja ORP)	Anturissa olevat kuplat voivat olla syynä. Ravista laitetta veden alla, jotta kuplat häviävät, ja tee mittaukset uudelleen.
Käännät laitteen ylösalaisin tarkistaaksesi tilan, mutta mitään ei tapahdu	<ul style="list-style-type: none"> <li>Käännä laitetta hitaasti, varmista, että se on ylösalaisin vähintään 1 sekunnin ajan.</li> <li>Kytke se latausta varten.</li> </ul> <p>Jos LED-valo ei syty, ota yhteys jälleenmyyjään.</p>
Laite ei lataudu (ei sinistä LED-valoa)	<ul style="list-style-type: none"> <li>Tarkista laturi</li> <li>Tarkista USB-C-kaapeli</li> </ul> <p>Jos laite ei lataudu, ota yhteys jälleenmyyjään.</p>
Kun haluat liittää laitteen Bluetoothiin, laitetta ei tunnisteta eikä se näy laiteluettelossa.	<ul style="list-style-type: none"> <li>Tarkista, että Bluetooth on aktivoitu älypuhelimessasi</li> <li>Tarkista, ettei laitetta ole yhdistetty toiseen älypuhelimeen</li> <li>Lataa laite</li> </ul> <p>Jos laite ei lataudu, ota yhteys jälleenmyyjään.</p>
Vedentilan väriä ei näy laitteen kääntämisen jälkeen.	<ul style="list-style-type: none"> <li>Tarkista hämärässä tilassa tai tekemällä varjoa kädelläsi</li> <li>Lataa laite</li> </ul>
Sinun on ladattava laitteesi usein	<ul style="list-style-type: none"> <li>Tarkista Wi-Fi-signaalin laatu</li> <li>Yritä jättää laite altaan eri kohtiin</li> <li>Asenna Wi-Fi-toistin altaan lähelle</li> </ul>
Raportoidut tiedot ovat täysin arvojen ulkopuolella	Tarkista, että anturi on paikoillaan, että mutteri on tiukasti kiristetty ja että ruuvaustodiste on paikoillaan.

ONGELMA	RATKAISU
Kondenssia ilmenee LED-alueella	Tämä on normaalia eikä vaikuta tuotteen toimintaan. Kondenssi häviää, kun tuote säilytetään oikein yli 6 päivän ajan.
Tuote ei yhdistä Wi-Fi-verkkoon	Siirrä tuote lähemmäs Wi-Fi-reititintä.
Ei mittauksia ensimmäisen asennuksen aikana tai talvehtimisen jälkeen	Anturi on liian kuiva. Jätä anturi veteen 24 tunniksi, suorita sen jälkeen kalibrointi ja tarkista, että anturi toimii kunnolla.

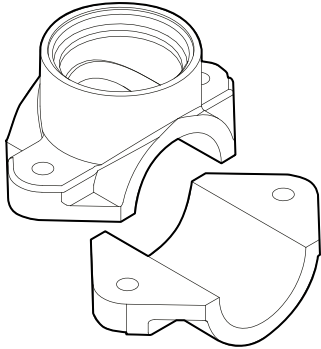
## 8. BLUE FIT 50 -ESITTELY

Blue Fit50 on Blue Connectin kanssa yhteensopiva letkuside. Sen avulla voit asentaa Blue Connectin teknisen tilan putkistoon.



Blue Fit50 on Blue Connect-lisätarvike. Se myydään erikseen.

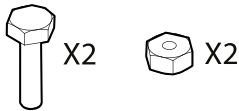
## 9. BLUE FIT50 -KUVAUS



**Yksi letkuside**



**Yksi kierteinen korkki**



**Kaksi ruuvia ja pulttia**

### Käyttöön liittyvät varoitukset

- Älä jätä Blue Connectia Blue Fit50-letkusiteeseen, kun putkissa ei ole vettä.
- Jos käsittelet hydraulipiiriä (vesi-iskun riski), on suositeltavaa irrottaa Blue Connect, jotta tuote ei vahingoitu.
- Varmista, että kokoonpanossasi on tarpeeksi virtaa, jotta Blue Connect voi tehdä mittauksia.
- Aseta Blue Connect aina pystyasentoon niin, että anturi on alaspäin.
- Älä lataa Blue Connectia, kun se on asennettu Blue Fit50-letkusiteeseen. Poista se ennen latausta.
- Älä lataa laitetta jatkuvasti. Mitatut arvot voivat olla virheellisiä lataamisen aikana.

## 10. BLUE FIT50 -ASENNUS

Muista aina laittaa Blue Fit50 suodattimen jälkeen (jotta anturit eivät vahingoitu) ja ennen tuotteen ruiskutusjärjestelmää tai elektrolyysiä (jotta se ei vaikuta Blue Connectin tekemiin mittauksiin).

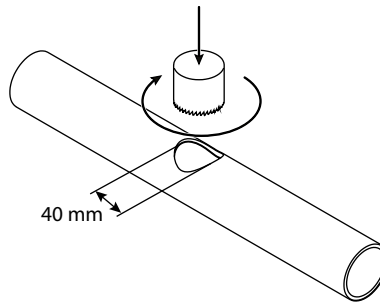
Letkun kokoonpanon sallittu enimmäisvedenpaine on 300 kPa.

Kysy tarvittaessa allasiantuntijaltasi neuvoa, jos ole epävarma jostakin.

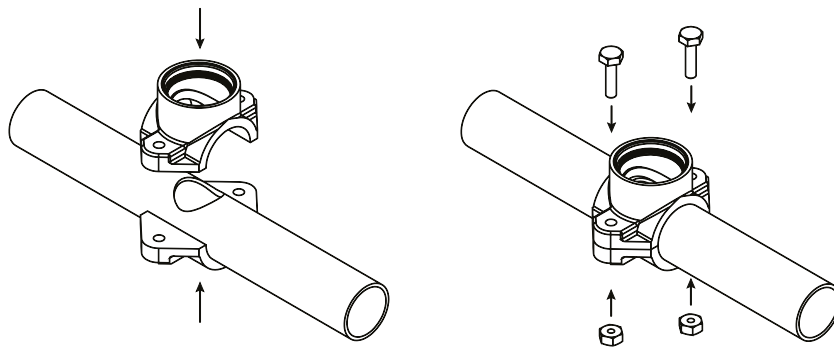
1. Sammuta suodatusjärjestelmä.
2. Pora halkaisijaltaan 40 mm:n reikäsahalla reikä putken yläosaan.



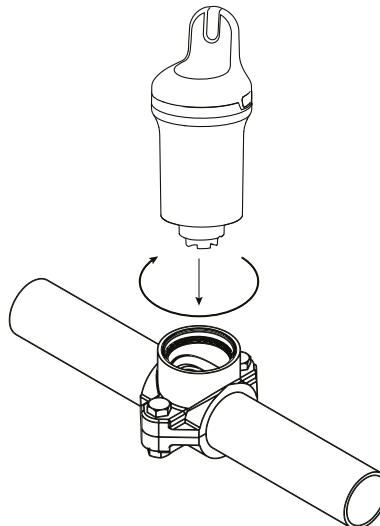
Blue Connectin on oltava pystyasennossa niin, että anturi on alaspäin.



3. Aseta letkusiteen molemmat osat putken molemmille puolille oikein kohdistettuina reikiin, ja ruuvaa letkuside.

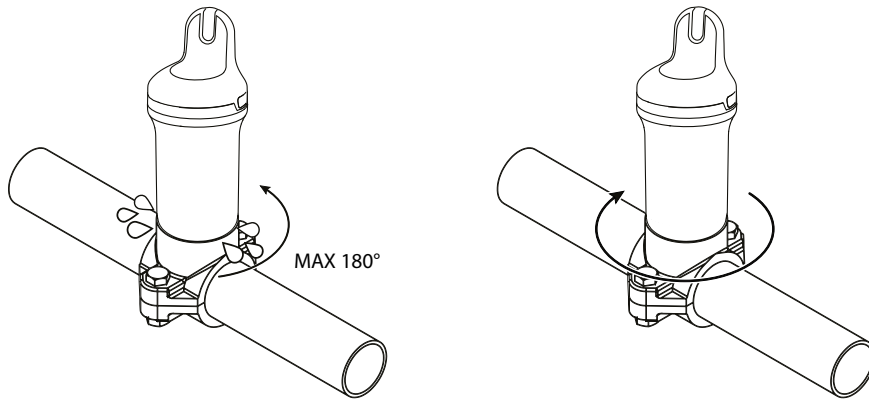


4. Ruuvaa Blue Connect letkusiteeseen. Blue Connectin yläreunan on oltava samansuuntainen putken kanssa.



5. Käynnistä suodatusjärjestelmä.

6. Kierrä Blue Connect hitaasti ja varovasti auki (enintään ½ kierrosta) ilman poistamiseksi. Heti kun vesi tulee ulos, se tarkoittaa että putkessa ei ole enää vettä. Sen jälkeen voit ruuvata Blue Connectin varovasti kiinni uudelleen.

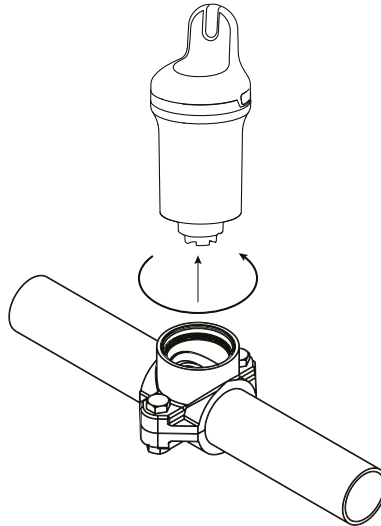


7. Valitse sovelluksessa tuote ja etsi Blue Fit50in aktivointivaihtoehto ja seuraa ohjeita.

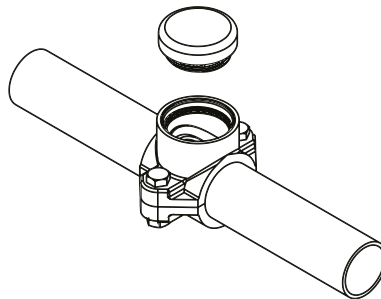
## 11.BLUE FIT50 -TALVEHTIMINEN

Seuraa tätä toimenpidettä, kun valmistaudut Blue Connectin varastointiin talveksi.

1. Sammuta suodatinpumppu, sulje venttiilit ja kierrä Blue Connect auki.



2. Tiivistä letkusiده Blue Fit50-laatikon mukana toimitetulla korkilla.



3. Seuraa toimenpidettä Blue Connectin talvehtimiseen asettamiseksi (katso [Talvehtiminen, sivu 201](#)).

## SPIS TREŚCI

1. BLUE CONNECT – WPROWADZENIE .....	208
Przegląd .....	208
2. OPIS.....	209
3. INSTALACJA APLIKACJI.....	210
Pobierz aplikację .....	210
4. INSTALACJA BLUE CONNECT.....	210
Ładowanie.....	210
Parowanie z aplikacją.....	211
Instalacja .....	212
5. STAN DIOD LED.....	213
6. KONSERWACJA .....	214
Kalibracja sondy pH.....	214
Kalibracja sondy ORP .....	215
Wymiana sondy .....	216
Przechowywanie przez okres zimowy .....	218
7. ROZWIĄZYWANIE PROBLEMÓW .....	220
8. WPROWADZENIE DO BLUE FIT 50.....	221
9. OPIS PRODUKTU BLUE FIT50.....	221
Środki ostrożności dotyczące użytkowania .....	221
10. INSTALACJA PRODUKTU BLUE FIT50 .....	222
11. PRZECHOWYWANIE PRZEZ OKRES ZIMOWY PRODUKTU BLUE FIT50 .....	223



**Recykling** Ten symbol jest wymagany dyrektywą europejską WEEE 2012/19/UE (dyrektywa w sprawie odpadów elektrycznych i elektronicznych) i oznacza, że urządzenia nie wolno wyrzucać do zwykłego pojemnika na odpady. Musi ono zostać przekazane do selektywnej zbiórki odpadów, recyklingu lub transformacji. Jeśli urządzenie zawiera jakiegokolwiek substancje, które mogą być szkodliwe dla środowiska, zostaną one prawidłowo usunięte lub zneutralizowane. Aby uzyskać informacje dotyczące recyklingu, należy skontaktować się ze sprzedawcą.



- Przed rozpoczęciem użytkowania urządzenia należy zapoznać się z ostrzeżeniami dotyczącymi bezpieczeństwa i kartą gwarancyjną dołączoną do produktu. Nieprzestrzeganie tych zaleceń może prowadzić do poważnych lub śmiertelnych obrażeń, uszkodzenia urządzenia i unieważnienia gwarancji.
- Dokumenty te należy przechowywać przez cały okres eksploatacji urządzenia i przekazywać kolejnym użytkownikom.
- Dystrybucja lub modyfikacja tego dokumentu w jakikolwiek sposób bez wcześniejszego uzyskania zgody producenta jest zabroniona.
- Producent stale rozwija swoje produkty w celu poprawy jakości. Producent zastrzega sobie prawo do całkowitej lub częściowej zmiany cech produktu lub treści niniejszego dokumentu bez wcześniejszego powiadomienia.

## 1. BLUE CONNECT – WPROWADZENIE

---

Blue Connect nieustannie monitoruje kluczowe parametry basenu (temperatura, pH, chlor, przewodnictwo). Urządzenie to dostarcza także informacji o temperaturze zewnętrznej i pogodzie na podstawie geolokalizacji. Wyniki tych analiz są przesyłane za pośrednictwem powiadomień w aplikacji Fluidra Pool (dostępnej na smartfony i tablety, kompatybilnej z Android™ i iOS). Jeśli urządzenie wykryje, że jeden z parametrów jest nieprawidłowy, wysyłane jest powiadomienie wraz z informacją o działaniach naprawczych, które należy podjąć w celu wyregulowania i ustabilizowania danego parametru, tak aby utrzymać zdrową i zrównoważoną jakość wody.

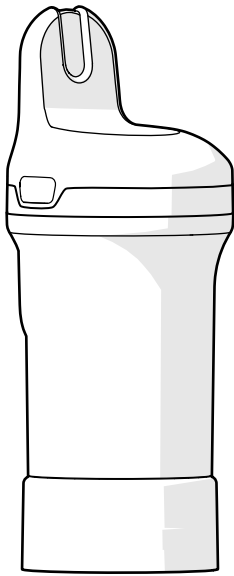
### Przegląd

Pomiary wykonywane przez Blue Connect:

- **Temperatura wody** (°C): Mierzy temperaturę wody. Podwyższona temperatura zmniejsza skuteczność działania chloru i sprzyja rozwojowi mikroorganizmów.
- **pH** (potencjał wodoru): Mierzy kwasowość lub zasadowość wody. Wartość pH ma wpływ na skuteczność działania środka dezynfekującego.
- **ORP/REDOX** (potencjał oksydacyjno-redukcyjny / potencjał redoks): ORP lub REDOX mierzy zdolność utleniającą wody w mV. Dostarcza informacji o właściwościach dezynfekujących wody.
- **Przewodność** (µS): Mierzy stężenie soli nieorganicznych w wodzie na podstawie jej zdolności do przewodzenia prądu (w zależności od modelu).
- **Zasolenie** (g/l): Mierzy stężenie soli rozpuszczonej w wodzie (w zależności od modelu).

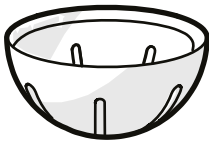
## 2. OPIS

---



**Blue Connect** – dostarczany z zamontowaną stopką zabezpieczającą sondę podczas transportu. Sonda jest zanurzona w KCl (nasyconym chlorku potasu), co zapewnia jej ochronę.

**Stopka zabezpieczająca** – służy do transportu sondy poza wodą lub do utrzymywania czujników zanurzonych podczas dłuższego przechowywania (np. podczas ładowania lub zimą).

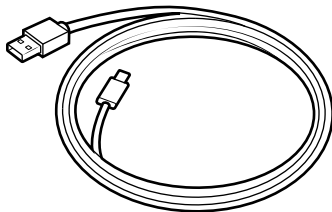


**Nasadka czujnika** – musi być zawsze zamontowana na urządzeniu przed umieszczeniem go w wodzie. Chroni czujniki przed uszkodzeniem.



**Przewód** – służy do przymocowania urządzenia do punktu zaczeplenia (opcjonalnie).

Może być konieczne użycie małych szczypiec, aby włożyć go do otworu z boku produktu.

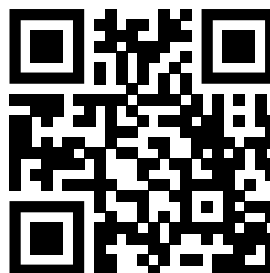


**Kabel USB-C** – używany do ładowania.

### 3. INSTALACJA APLIKACJI

#### Pobierz aplikację

Pobierz aplikację Fluidra Pool i postępuj zgodnie z instrukcjami, aby utworzyć konto i skonfigurować basen.



### 4. INSTALACJA BLUE CONNECT

Aby uruchomić Blue Connect, należy wykonać następujące czynności:

- Naładuj urządzenie
- Sparuj urządzenie z aplikacją Fluidra Pool
- Załóż nasadkę czujnika i umieść ją w basenie

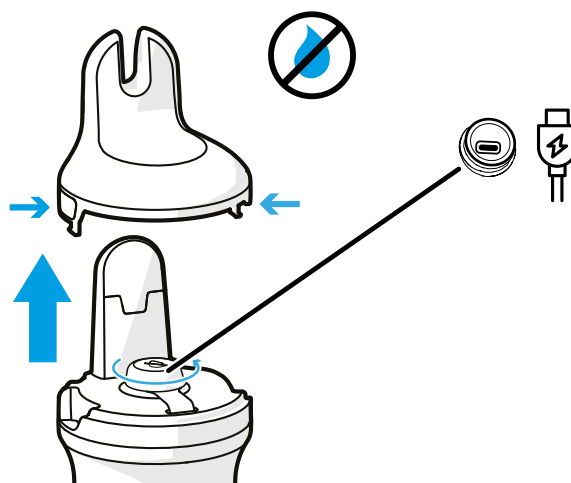
#### Ładowanie



- Przed rozpoczęciem użytkowania należy całkowicie naładować urządzenie. Należy zawsze ładować je w pozycji pionowej, używając stopki zabezpieczającej wypełnionej roztworem KCL lub wodą.
- Podczas ładowania, mierzone wartości (pH, ORP) mogą być błędne. Nie należy brać tych wartości pod uwagę podczas ładowania.

Ładowanie Blue Connect:

1. **Dokładnie osusz sondę Blue Connect**, a następnie zdejmij górną pokrywę, naciskając ją z obu stron i pociągając do góry.
2. Odkręć zaślepkę portu ładowania i podłącz kabel USB-C do urządzenia oraz do zasilacza, aby rozpocząć ładowanie.



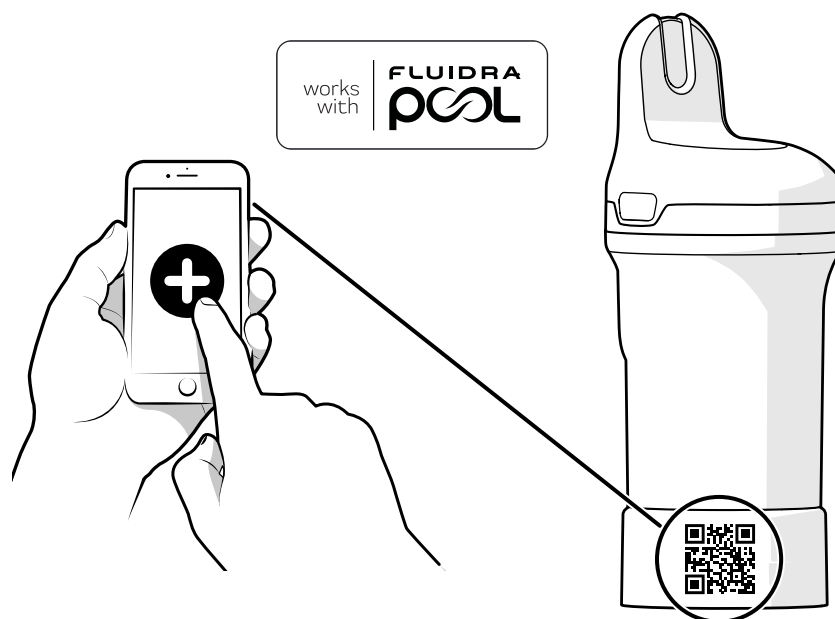


**Port ładowania musi być suchy przed ładowaniem. Urządzenie należy obsługiwać suchymi rękami i w suchym miejscu.**

3. Po zakończeniu ładowania **szczelnie zamknij port ładowania** i załóż z powrotem pokrywę Blue Connect.

## Parowanie z aplikacją

Otwórz aplikację Fluidra Pool i kliknij **Dodaj sprzęt**, aby sparować Blue Connect. Kod QR używany do parowania znajduje się na stopce zabezpieczającej i pod górną pokrywą, która jest zdejmowana w celu ładowania.

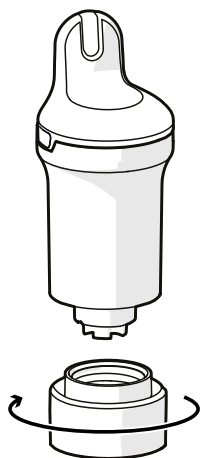


Po połączeniu z aplikacją w przypadku dostępnych aktualizacji oprogramowania wysłane będą powiadomienia. Postępuj zgodnie z instrukcjami w aplikacji, aby zaktualizować produkt.

## Instalacja

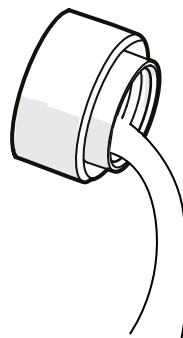
Przed użyciem zdejmij stopkę zabezpieczającą i załóż nasadkę czujnika.

1. Ustaw Blue Connect pionowo i odkręć stopkę zabezpieczającą.

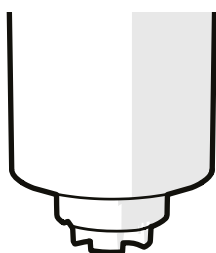


2. Opróżnij stopkę zabezpieczającą i opłucz ją czystą wodą. Odłóż ją.

**UWAGA:** Przechowuj stopkę zabezpieczającą w bezpiecznym miejscu do późniejszego użycia.



3. Wyfłucz sondę w czystej wodzie.

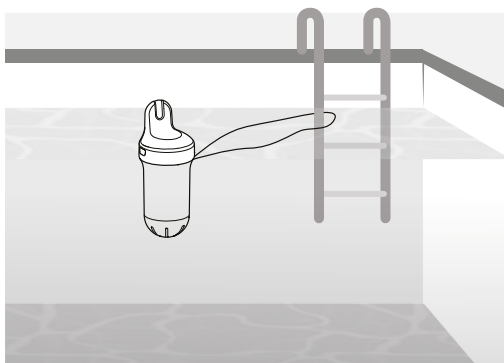


4. Przykręć nasadkę czujnika, aby zabezpieczyć sondy.



5. Umieść sondę Blue Connect w basenie i pozostaw ją unoszącą się na powierzchni wody. W razie potrzeby możesz ją zabezpieczyć, mocując do punktu mocowania za pomocą przewodu.

Upewnij się, że urządzenie znajduje się w pozycji pionowej, a jego górna część pozostaje poza wodą, aby zapewnić prawidłową komunikację.

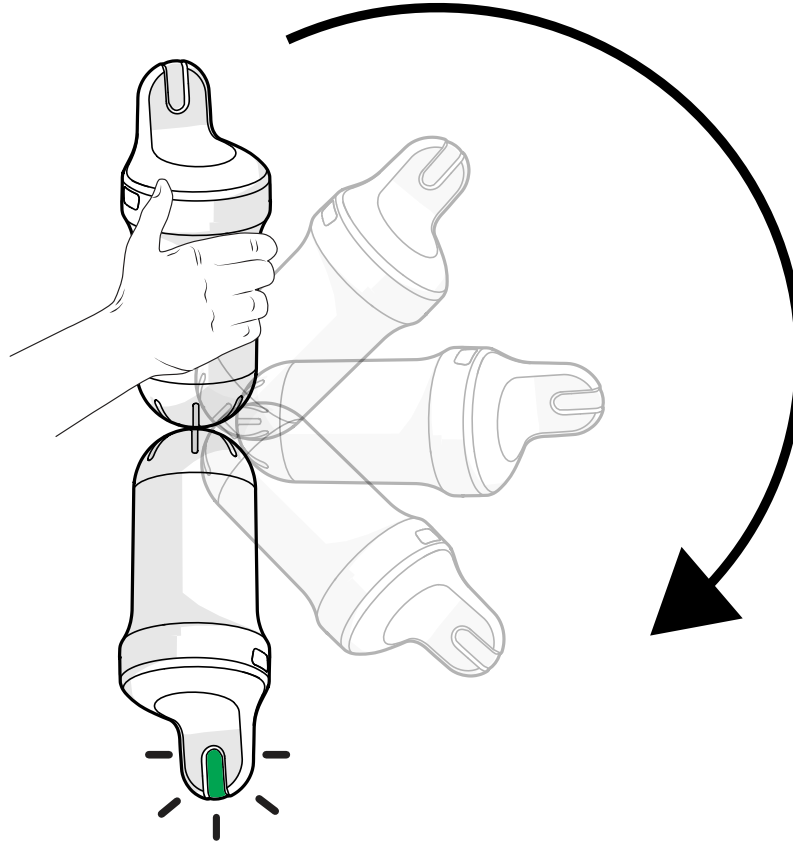


**W przypadku basenów wyposażonych w pokrywę nie zaleca się używania przewodu do mocowania sondy Blue Connect, kiedy pokrywa basenu jest zamknięta. Jeśli urządzenie jest zamocowane, może zanurzyć się w wodzie, co spowoduje utratę łączności.**

## 5. STAN DIOD LED

Dioda LED na produkcie informuje o jakości wody, stanie baterii i ładowaniu.

Jeśli chcesz sprawdzić stan wody/baterii bezpośrednio na urządzeniu (zamiast w aplikacji), wyjmij je z wody i odwróć do góry nogami, jak a obrazku. Musisz trzymać urządzenie w tej pozycji przez co najmniej 1 sekundę. Blue Connect wyemituje sygnał dźwiękowy i dioda LED się zapali (patrz tabela stanu diod LED poniżej).



STAN	STAN DIOD LED / SYGNAŁ DŹWIĘKOWY	OPIS
Ładowanie	Powolne miganie na niebiesko / 1 sygnał dźwiękowy	Ładowanie
	Stałe światło niebieskie	Naładowane (pełne)
Nie aktywowano	Wył.	Urządzenie nie zostało aktywowane
Szybkie sprawdzenie stanu	3 mignięcia na czerwono / 3 sygnały dźwiękowe	Niski poziom naładowania baterii
(zobacz wyjaśnienie poniżej)	Stałe światło zielone przez 5 s / 1 sygnał dźwiękowy	Woda OK
	Stałe światło pomarańczowe przez 5 s / 1 sygnał dźwiękowy	Woda nie OK (jakość wody musi zostać sprawdzona i skorygowana. Aby uzyskać więcej informacji, skorzystaj z aplikacji Fluidra Pool.)
	Stałe światło białe przez 5 s / 1 sygnał dźwiękowy	Brak stanu wody, urządzenie włączone
Aktualizacja oprogramowania sprzętowego	Szybkie miganie na niebiesko / 1 sygnał dźwiękowy	

## 6. KONSERWACJA

Wszystkie procedury w ramach konserwacji muszą być wykonywane przy użyciu aplikacji Fluidra Pool.

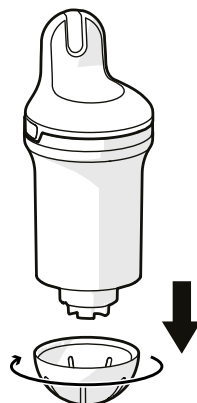


- Produkty do kalibracji są przeznaczone wyłącznie do jednorazowego użytku. Nie wolno używać ich dwa razy. Skontaktuj się ze sprzedawcą, aby otrzymać nowe.
- Kalibracja nie może być przeprowadzana podczas ładowania urządzenia.

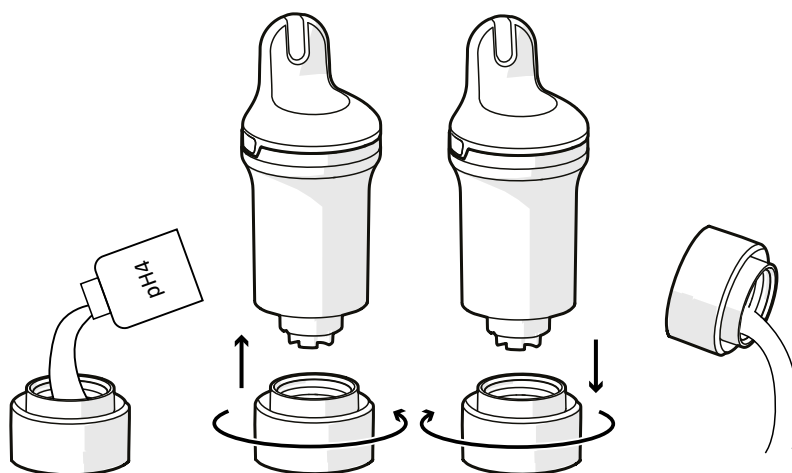
### Kalibracja sondy pH

Kalibrację sondy pH należy przeprowadzać raz na sezon. Konieczny jest zestaw do kalibracji – skontaktuj się z lokalnym sprzedawcą, aby uzyskać więcej informacji. Nie jest on konieczny przy pierwszej instalacji.

1. Wyjmij urządzenie z wody, zdejmij nasadkę czujnika i wypłucz sondę w czystej wodzie.



2. Wypłucz stopkę zabezpieczającą w czystej wodzie i wytrzyj ją do sucha.
3. Upewnij się, że funkcja Bluetooth® jest włączona w Twoim smartfonie. Pozostań w pobliżu urządzenia przez cały proces kalibracji.
4. Wybierz produkt w aplikacji, znajdź sekcję kalibracji sondy i postępuj zgodnie z instrukcjami.
5. Umieść roztwór pH4 w stopce zabezpieczającej i przykręć ją do urządzenia. Postępuj zgodnie z instrukcjami w aplikacji.
6. Po zakończeniu pomiaru pH4 odkręć stopkę zabezpieczającą i przepłucz sondę. Opróżnij, przepłucz czystą wodą i wytrzyj stopkę.



7. Powtórz krok 5, używając roztworu pH7.



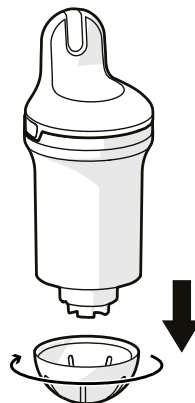
Po użyciu produktu kalibracyjnego należy zawsze przemyć sondę i stopkę zabezpieczającą czystą wodą, aby uniknąć wymieszania się produktów.

8. Zatwierdź kalibrację.
9. Załóż nasadkę czujnika na Blue Connect i umieść ją z powrotem w basenie.

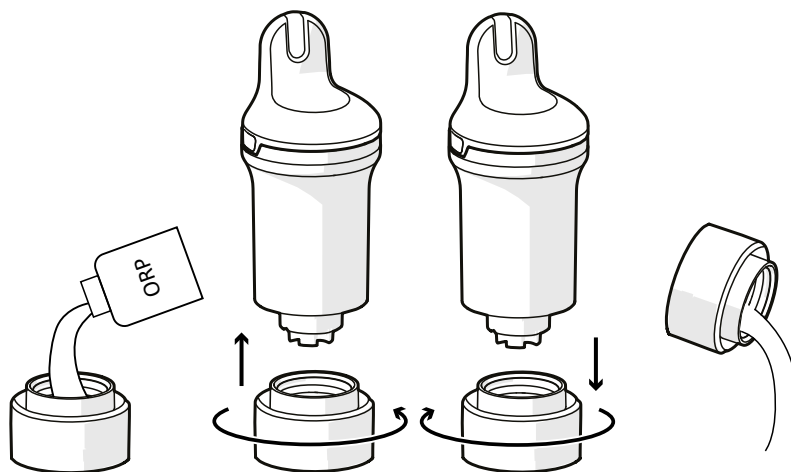
## Kalibracja sondy ORP

Kalibrację sondy ORP należy wykonywać raz na sezon. Konieczny jest zestaw do kalibracji – skontaktuj się z lokalnym sprzedawcą, aby uzyskać więcej informacji. Nie jest on konieczny przy pierwszej instalacji.

1. Wyjmij urządzenie z wody, zdejmij nasadkę czujnika i wypłucz sondę w czystej wodzie.



2. Wypłucz stopkę zabezpieczającą w czystej wodzie i wytrzyj ją do sucha.
3. Upewnij się, że funkcja Bluetooth® jest włączona w Twoim smartfonie. Pozostań w pobliżu urządzenia przez cały proces kalibracji.
4. Wybierz produkt w aplikacji, znajdź sekcję kalibracji sondy i postępuj zgodnie z instrukcjami.
5. Umieść roztwór ORP w stopce zabezpieczającej i przykręć ją do urządzenia. Postępuj zgodnie z instrukcjami w aplikacji
6. Po zakończeniu pomiaru ORP odkręć stopkę zabezpieczającą i przepłucz sondę. Opróżnij, przepłucz czystą wodą i wytrzyj stopkę.



- Po użyciu produktu kalibracyjnego należy zawsze przemyć sondę i stopkę zabezpieczającą czystą wodą, aby uniknąć wymieszania się produktów.
- Po kalibracji ORP/redox, uzyskanie prawidłowych pomiarów może zająć trochę czasu. Odczekaj co najmniej 6 godzin przed wykonaniem pomiaru w basenie.

7. Zatwierdź kalibrację.
8. Załóż nasadkę czujnika na Blue Connect i umieść ją z powrotem w basenie.

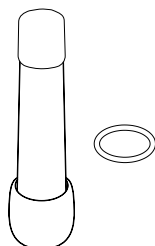
## Wymiana sondy

Sondę należy wymieniać mniej więcej co dwa lata. Skontaktuj się ze sprzedawcą, aby otrzymać nową sondę.



- Aby zapewnić maksymalną żywotność sondy należy przechowywać ją w wilgotnym środowisku zawsze, gdy jest to możliwe. Kiedy urządzenie ma zostać wyjęte z wody, należy założyć stopkę zabezpieczającą z KCl (nasyconym chlorkiem potasu), z pH4 lub, w ostateczności, ze zwykłą wodą basenową.
- Niskie pH (w granicach prawidłowych parametrów basenu) wydłuża żywotność sondy.
- Podczas wymiany sondy upewnij się, że produkt nie pozostaje otwarte zbyt długo – środek pochłaniający wilgoć może wchłonąć wilgoć, a następnie uwolnić ją do produktu po jego zamknięciu.

### Zestaw do wymiany sondy

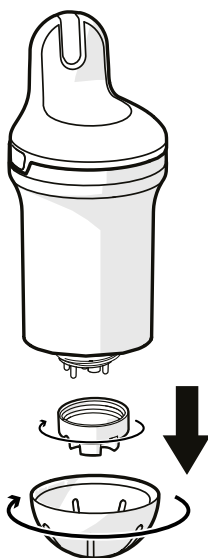


### Instalacja



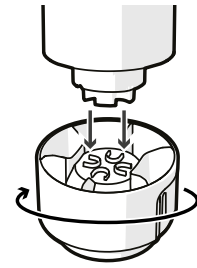
**Zdecydowanie zaleca się, aby podczas wykonywania tej procedury trzymać produkt w pozycji pionowej, tak aby woda nie dostała się do urządzenia.**

1. Wybierz swój produkt w aplikacji, znajdź sekcję kalibracji sondy i postępuj zgodnie z instrukcjami.
2. Wyjmij Blue Connect z wody. Wytrzyj urządzenie do sucha i rozpocznij procedurę w suchym, czystym miejscu.
3. Zdejmij nasadkę czujnika i osłonę sondy.

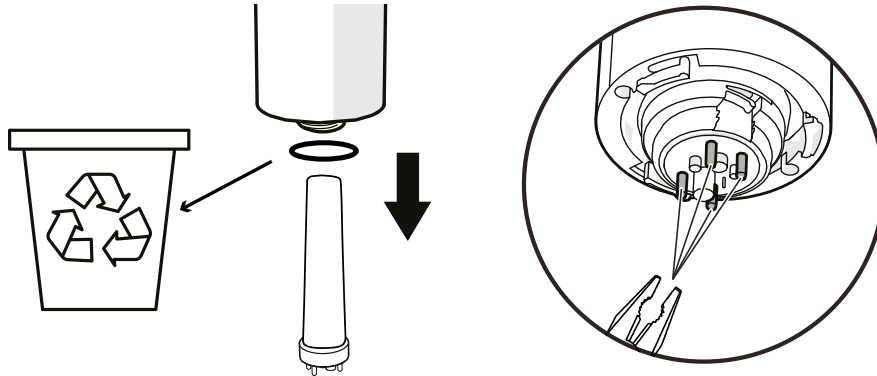




W razie potrzeby możesz użyć dolnej strony stopki zabezpieczającej, aby odkręcić osłonę sondy.

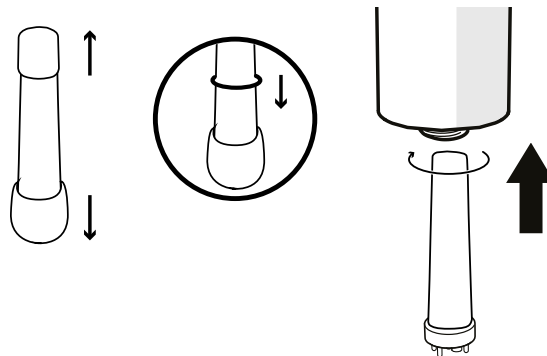


4. Delikatnie pociągnij za cztery plastikowe końcówki sondy. W razie potrzeby możesz (z zachowaniem ostrożności) użyć szczyptec, aby wyjąć sondę (patrz powiększenie). Wytrzyj pozostałości wody i przytrzymaj urządzenie w pozycji pionowej. Nie zapomnij zdemontować uszczelkę i wyrzucić jej (może utknąć w środku).



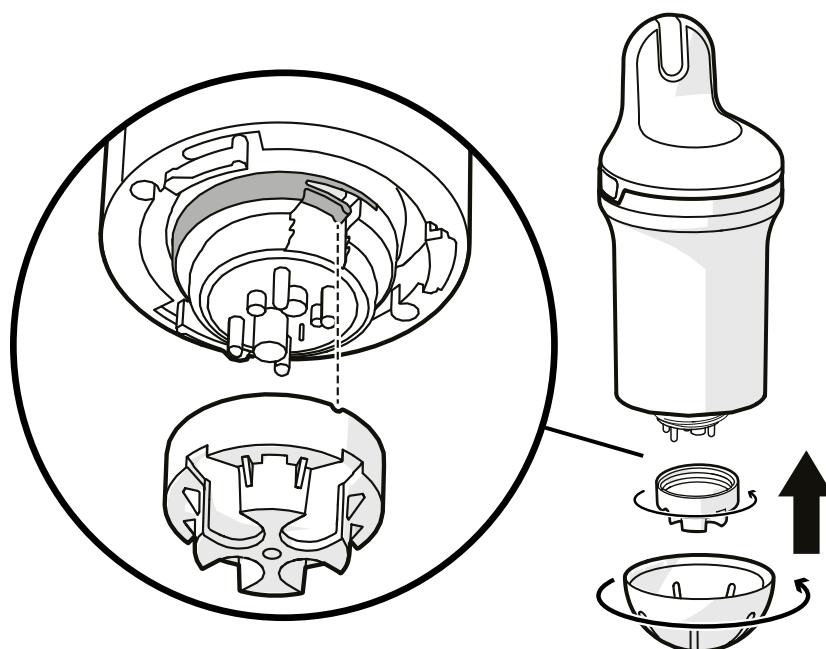
5. Zeskanuj kod QR nowej sondy.

6. Zdejmij osłonę ochronną z nowej sondy. Umieść nową uszczelkę na nowej sondzie. Włóż sondę i obracaj ją, aż znajdzie się we właściwym miejscu.

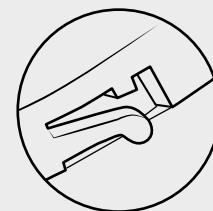


- **Uważaj, aby nie upuścić sondy – jest bardzo delikatna.**
- **NIE używaj żadnych narzędzi i NIE dotykaj obszarów czujnika sondy podczas zakładania, aby jej nie uszkodzić.**
- **Wszystkie te kroki należy wykonać jak najszybciej, aby nie pozostawiać urządzenia otwartego zbyt długo.**

7. Mocno przykręć osłonę sondy do urządzenia, aż zatrzaśnie się na swoim miejscu (patrz powiększenie). Możesz użyć dolnej strony stopki zabezpieczającej, aby ją dokręcić. Następnie załóż nasadkę czujnika i umieść sondę Blue Connect z powrotem w wodzie.



**Ostona sondy musi być przykręcona tak, aby mała zakładka zatrzasnęła się na swoim miejscu w sposób pokazany na rysunku. W przeciwnym razie produkt może zostać uszkodzony.**



Po pierwszym zanurzeniu w basenie sonda może potrzebować kilku godzin, aby ustabilizować swoje parametry.

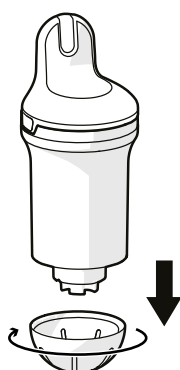
## Przechowywanie przez okres zimowy

Aby utrzymać urządzenie w dobrym stanie technicznym, należy zapewnić jego prawidłowe przechowywanie w okresie zimowym, włączając tryb zimowy. Przed wykonaniem poniższej procedury upewnij się, że urządzenie jest całkowicie naładowane.

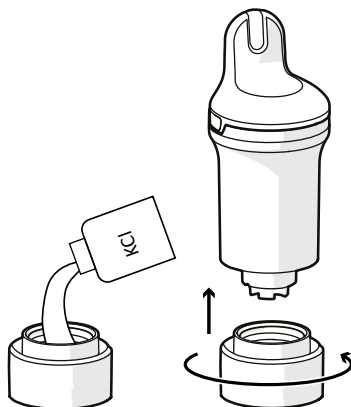
### Tryb zimowy

Przed przechowywaniem urządzenia w okresie zimowym należy przełączyć je w tryb zimowy. **Tryb zimowy nie może zostać aktywowany, kiedy urządzenie jest ładowane.**

1. Wyjmij Blue Connect z wody. Zdejmij nasadkę czujnika.



2. Upewnij się, że internet (Wi-Fi lub 4G) oraz Bluetooth® są włączone w smartfonie. Pozostań w pobliżu urządzenia przez cały proces oczekiwania.
3. Przełącz urządzenie w tryb zimowy – wybierz swój produkt w aplikacji, znajdź tryb zimowy i postępuj zgodnie z instrukcjami.
4. Wypłucz stopkę zabezpieczającą czystą wodą i wytrzyj ją. Umieść KCl (nasycony chlorek potasu) lub pH4 (lub, w ostateczności, zwykłą wodę) w stopce zabezpieczającej i przykręć ją.



Obecność KCl w stopce zabezpieczającej może spowodować tworzenie się zgrubień soli w miejscu kontaktu z obudową urządzenia, nie stanowi to jednak zagrożenia i jest całkowicie bezpieczne. Wystarczy wypłukać pod czystą wodą.

5. Zatwierdź tryb zimowy i przechowuj Blue Connect w miejscu zabezpieczonym przed mrozem.

## Przechowywanie

Jeśli musisz wyjąć Blue Connect z basenu na dłużej niż godzinę, załóż stopkę zabezpieczającą z KCl (nasyconym chlorkiem potasu), pH4 lub, w ostateczności, ze zwykłą wodą z basenu, ponieważ sonda nigdy nie powinna być sucha.

## Ponowna aktywacja po przechowywaniu w okresie zimowym

Aby ponownie aktywować sondę Blue Connect po przechowywaniu w okresie zimowym, wystarczy podłączyć ją do celu naładowania baterii. Spowoduje to wybudzenie urządzenia z trybu zimowego.

## 7. ROZWIĄZYWANIE PROBLEMÓW

PROBLEM	ROZWIĄZANIE
Parowanie nie udało się	Należy uważać, aby nie pomylić liter i cyfr (np. B i 8, l i 1 itd.) w kodzie dostępu.
Pomiary są nieprawidłowe.	<ul style="list-style-type: none"> <li>• Sprawdź kalibrację czujnika.</li> <li>• Pęcherzyk powietrza może spowodować nieprawidłowy pomiar. Przesuwaj urządzenie powoli, aby spróbować usunąć pęcherzyki powietrza.</li> </ul>
Nietypowe pomiary (pH i ORP)	Przyczyną może być obecność pęcherzyków powietrza na sondzie. Wstrząśnij urządzeniem pod wodą, aby pozbyć się pęcherzyków powietrza i wykonaj pomiar ponownie.
Gdy urządzenie zostało odwrócone do góry nogami, aby sprawdzić status, ale nic się nie dzieje	<ul style="list-style-type: none"> <li>• Odwróć urządzenie powoli, pamiętając, aby trzymać je do góry nogami przez co najmniej 1 sekundę.</li> <li>• Podłącz je, aby naładować.</li> </ul> <p>Jeśli dioda LED nadal się nie świeci, skontaktuj się ze sprzedawcą.</p>
Urządzenie nie jest ładowane (niebieska dioda LED się nie świeci)	<ul style="list-style-type: none"> <li>• Sprawdź ładowarkę.</li> <li>• Sprawdź kabel USB-C.</li> </ul> <p>Jeśli urządzenie nadal nie jest ładowane, skontaktuj się ze sprzedawcą.</p>
Podczas próby połączenia urządzenia przez Bluetooth, urządzenie nie jest wykrywane i nie pojawia się na liście urządzeń	<ul style="list-style-type: none"> <li>• Sprawdź, czy funkcja obsługi Bluetooth jest włączona w Twoim smartfonie.</li> <li>• Sprawdź, czy urządzenie nie jest już połączone z innym smartfonem.</li> <li>• Naładuj urządzenie.</li> </ul> <p>Jeśli urządzenie nadal nie jest ładowane, skontaktuj się ze sprzedawcą.</p>
Po odwróceniu produktu nie widzisz koloru oznaczającego stan wody	<ul style="list-style-type: none"> <li>• Sprawdź w ciemniejszym miejscu lub stwórz cień, zakrywając urządzenie za pomocą dłoni.</li> <li>• Naładuj urządzenie.</li> </ul>
Musisz często ponownie ładować urządzenie	<ul style="list-style-type: none"> <li>• Sprawdź jakość sygnału Wi-Fi.</li> <li>• Spróbuj pozostawić urządzenie w innym miejscu w basenie.</li> <li>• Zainstaluj wzmacniacz sygnału Wi-Fi w pobliżu swojego basenu.</li> </ul>
Wskazywane dane są całkowicie poza zakresem	Sprawdź, czy sonda jest obecna, czy nasadka jest mocno dokręcona i czy wskaźnik dokręcenia jest na swoim miejscu.
Kondensacja pojawia się w obszarze LED	To normalne i nie wpływa na działanie produktu. Kondensacja zniknie po prawidłowym przechowywaniu produktu przez ponad 6 dni.
Produkt nie łączy się z Wi-Fi	Przenieś produkt bliżej routera Wi-Fi.
Brak pomiaru przy pierwszej instalacji lub po przechowywaniu zimowym	Czujnik jest zbyt suchy. Pozostaw czujnik w wodzie na 24 h, a następnie przeprowadź kalibrację i sprawdź, czy czujnik działa prawidłowo.

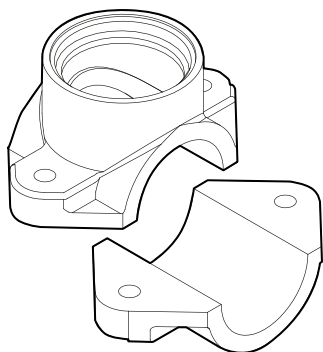
## 8. WPROWADZENIE DO BLUE FIT 50

Blue Fit50 to zacisk węża kompatybilny z Blue Connect. Umożliwia on instalację sondy Blue Connect na rurociągach w pomieszczeniu technicznym.



Blue Fit50 to akcesorium produktu Blue Connect. Akcesorium jest sprzedawane oddzielnie.

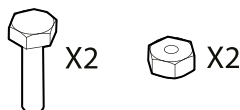
## 9. OPIS PRODUKTU BLUE FIT50



**Jeden zacisk węża**



**Jedna nasadka gwintowana**



**Dwie śruby i nakrętki**

### Środki ostrożności dotyczące użytkowania

- Nie należy pozostawiać produktu Blue Connect na Blue Fit50, gdy w rurach nie ma wody.
- W przypadku prac przy obwodzie hydraulicznym (ryzyko uderzenia wodnego) zaleca się zdjęcie produktu Blue Connect, aby go nie uszkodzić.
- Upewnij się, że przepływ w instalacji jest wystarczający, aby produkt Blue Connect mógł pracować.
- Produkt Blue Connect należy zawsze umieszczać pionowo, z sondą skierowaną w dół.
- Nie należy ładować produktu Blue Connect, gdy jest założony na Blue Fit50. Przed ładowaniem należy go zdjąć.
- Nie ładuj urządzenia w sposób ciągły. Wartości mierzone podczas ładowania mogą być błędne.

## 10. INSTALACJA PRODUKTU BLUE FIT50

Upewnij się, że produkt Blue Fit50 jest zawsze umieszczany za filtrem (aby uniknąć uszkodzenia sond) i przed systemem wtrysku produktu lub elektrolizy (aby nie zmienić wyników pomiarów dokonywanych przez Blue Connect).

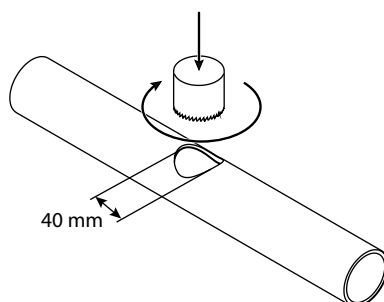
Maksymalne dopuszczalne ciśnienie wody w instalacji rurowej wynosi 300 kPa.

W razie jakichkolwiek wątpliwości zasięgnij porady u swojego specjalisty w dziedzinie basenów.

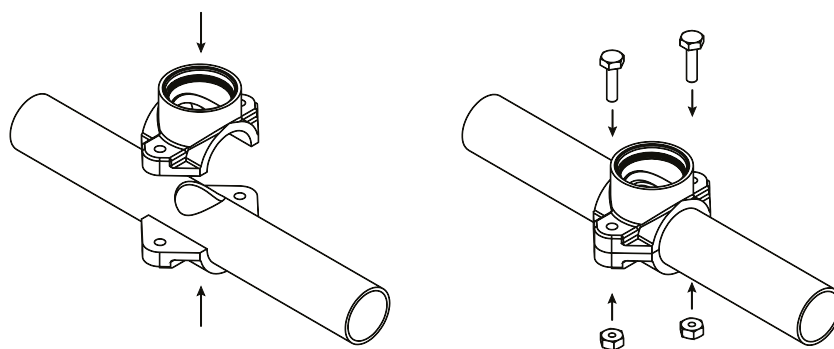
1. Wyłącz system filtracji.
2. Wywierć otwór w górnej części rury otwornicą o średnicy 40 mm.



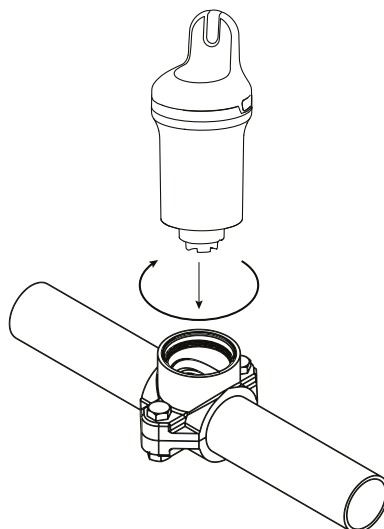
Blue Connect musi znajdować się w pozycji pionowej, z sondą skierowaną w dół.



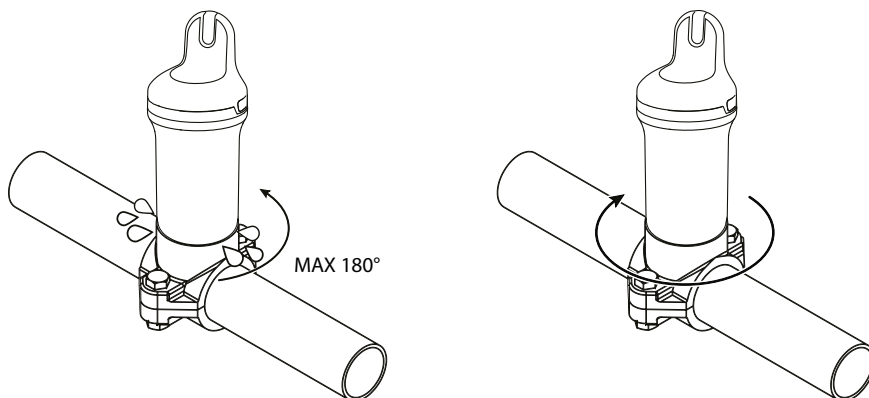
3. Umieść obie części zacisku węży po obu stronach rury tak, aby otwory się pokrywały, i przykręć zacisk węży.



4. Przykręć Blue Connect do zacisku węży. Górna krawędź produktu Blue Connect powinna być równoległa do rury.



5. Włącz system filtracji.
6. Delikatnie i powoli odkręć Blue Connect (maksymalnie o ½ obrotu), aby usunąć powietrze. Gdy woda zacznie wypływać, oznacza to, że powietrze zostało usunięte z rur i że można ponownie mocno przykręcić Blue Connect.

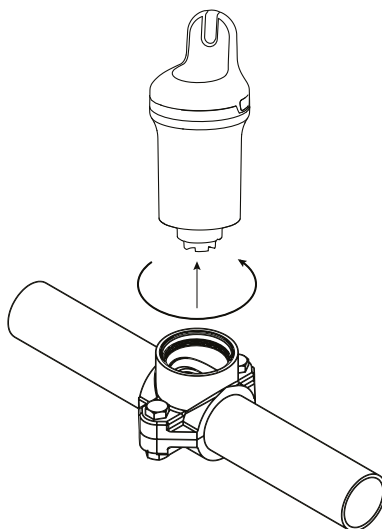


7. Wybierz produkt w aplikacji, znajdź opcję aktywacji Blue Fit50, a następnie postępuj zgodnie z instrukcjami.

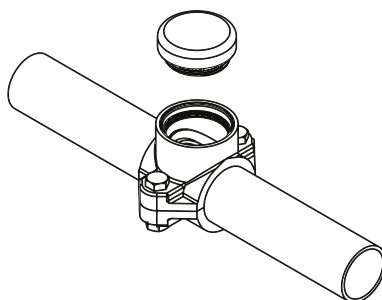
## 11. PRZECHOWYWANIE PRZEZ OKRES ZIMOWY PRODUKTU BLUE FIT50

Postępuj zgodnie z poniższą procedurą, aby przygotować Blue Connect do przechowywania w okresie zimowym.

1. Wyłącz pompę filtra, zamknij zawory i odkręć Blue Connect.



2. Zamknij zacisk węży za pomocą zatyczki dostarczonej w opakowaniu Blue Fit50.



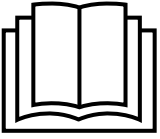
3. Postępuj zgodnie z procedurą dotyczącą przechowywania produktu Blue Connect w okresie zimowym (patrz [Przechowywanie przez okres zimowy, strona 218](#)).

## TARTALOM

1. A BLUE CONNECT BEMUTATÁSA.....	225
Áttekintés.....	225
2. LEÍRÁS .....	226
3. AZ ALKALMAZÁS TELEPÍTÉSE .....	227
Az alkalmazás letöltése .....	227
4. A BLUE CONNECT TELEPÍTÉSE .....	227
Töltés.....	227
Párosítás az alkalmazással.....	228
Telepítés.....	229
5. ÁLLAPOTJELZŐ LED.....	230
6. KARBANTARTÁS.....	231
pH-szonda kalibrálása .....	231
Az ORP-szonda kalibrálása .....	232
A szonda cseréje .....	233
Télielésítés.....	235
7. HIBAELHÁRÍTÁS .....	237
8. A BLUE FIT50 BEMUTATÁSA.....	238
9. BLUE FIT50 LEÍRÁSA .....	238
Használattal kapcsolatos óvintézkedések .....	238
10. A BLUE FIT50 TELEPÍTÉSE .....	239
11. A BLUE FIT50 TÉLIESÍTÉSE .....	240



**Újrahasznosítás** Ezt a szimbólumot az elektromos és elektronikus berendezések hulladékairól szóló 2012/19/EU irányelv írja elő. Azt jelzi, hogy a berendezést nem szabad a normál háztartási hulladékgyűjtőbe kidobni. Újbóli felhasználás, újrahasznosítás, illetve átalakítás érdekében szelektív gyűjtés tárgyát képezi. Ha a környezetre potenciálisan káros anyagokat tartalmaz ezeket ártalmatlanítani vagy semlegesíteni kell. Az újrahasznosítási információkkal kapcsolatosan forduljon a viszonteladóhoz.



- A készülék használata előtt fontos, hogy elolvassa a termékhez mellékelt biztonsági figyelmeztetéseket és garancialevelet. Ennek elmulasztása súlyos vagy halálos sérüléshez, anyagi kárhoz vezethet, és érvényteleníti a garanciát.
- Őrizze meg és adja tovább a dokumentumokat, hogy a készülék teljes élettartama során később is megtekinthetők legyenek.
- A dokumentum bármilyen módon történő terjesztése vagy módosítása a gyártó előzetes engedélye nélkül tilos.
- A gyártó folyamatosan fejleszti termékeit a minőség javítása érdekében. A gyártó fenntartja a jogot, hogy előzetes figyelmeztetés nélkül teljesen vagy részlegesen módosítsa a termék jellemzőit vagy a jelen dokumentum tartalmát.

## 1. A BLUE CONNECT BEMUTATÁSA

---

A Blue Connect folyamatosan méri a medence kulcsfontosságú paramétereit (hőmérséklet, pH, klór, vezetőképesség). Emellett a földrajzi elhelyezkedése alapján a külső hőmérsékletről és az időjárásról is tájékoztatja Önt. Az elemzés eredményeit ezután a Fluidra Pool alkalmazás értesítésein keresztül közöljük Önnel (okostelefonon és táblagépen elérhető, Android™ és iOS rendszerrel kompatibilis). Ha a készülék azt észleli, hogy az egyik paraméter helytelen, figyelmeztetést és információkat kap a paraméter szabályozásához és stabilizálásához szükséges korrekciós intézkedésekről az egészséges és kiegyensúlyozott vízminőség fenntartása érdekében.

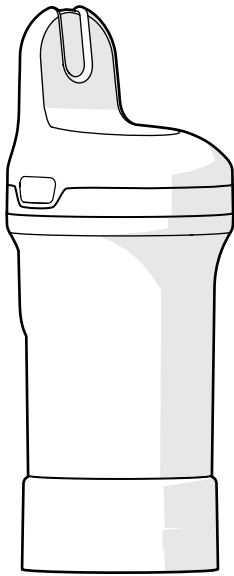
### Áttekintés

Blue Connect mérések:

- **Víz hőmérséklet** (°C): méri a víz hőmérsékletét. A magasabb hőmérséklet csökkenti a klór hatékonyságát és elősegíti a mikroorganizmusok kialakulását.
- **pH** (hidrogénpotenciál): a víz savas vagy lúgos jellegét méri. A pH hozzájárul a fertőtlenítőszer hatékonyságához.
- **ORP/REDOX** (oxidációs-redukciós potenciál/REDOX-potenciál): az ORP vagy REDOX a víz oxidáló erejét méri mV-ban. Információkat nyújt a víz fertőtlenítő hatásáról.
- **Vezetőképesség** (μS): a vízben lévő szervesetlen sók koncentrációját az elektromosság vezetésére való képességével méri (modelltől függően).
- **Só tartalom** (g/l): a vízben oldott só koncentrációját méri (típustól függően).

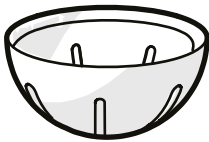
## 2. LEÍRÁS

---



**Blue Connect** – a tárolótalppal szállítva védi a szondát a szállítás során. A szondát KCl-be (telített kálium-klorid) merítik, ami biztosítja annak védelmét.

**Tárolótalp** – a szonda vízen kívüli szállítására vagy az érzékelők vízbe merítve tartására szolgál hosszabb tárolás során (például töltéskor vagy télen).

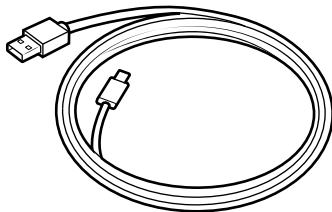


**Érzékelősapka** – a vízbe helyezés előtt mindig fel kell szerelni a készülékre. Megvédi az érzékelőket a sérülésektől.



**Kábel** – a készülék rögzítési ponthoz való rögzítésére szolgál (opcionális).

Előfordulhat, hogy egy kis fogóval kell behelyezni a termék oldalán lévő nyílásba.

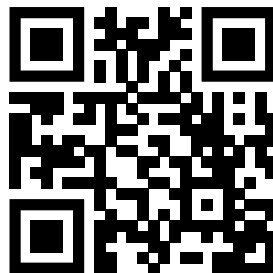


**USB-C kábel** – a töltéshez használható.

### 3. AZ ALKALMAZÁS TELEPÍTÉSE

#### Az alkalmazás letöltése

Töltse le a Fluidra Pool alkalmazást, és kövesse az utasításokat a fiók létrehozásához és a medence beállításához.



### 4. A BLUE CONNECT TELEPÍTÉSE

A Blue Connect üzembe helyezéséhez a következő lépéseket kell elvégeznie:

- Töltse fel a készüléket
- Párosítsa a készüléket a Fluidra Pool alkalmazással
- Helyezze fel az érzékelősapkát, és helyezze a medencébe

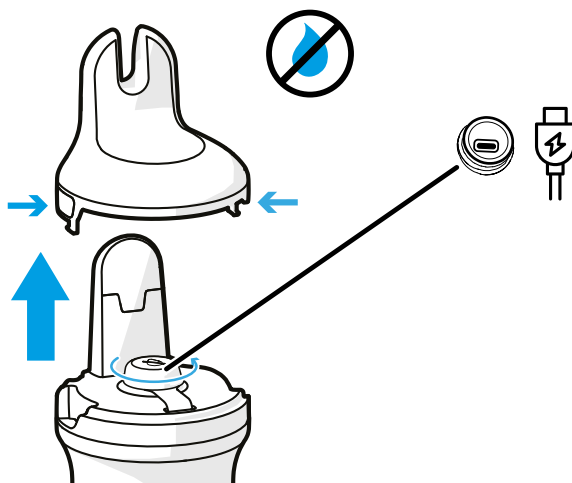
#### Töltés



- Használat előtt teljesen fel kell töltenie a készüléket. Mindig függőleges helyzetben töltse fel a KCL oldattal vagy vízzel feltöltött tárolótalp segítségével.
- Töltés közben a mért értékek (pH, ORP) hibásak lehetnek. A töltés során ne vegye figyelembe ezeket az értékeket.

A Blue Connect töltéséhez:

1. **Szárítsa meg alaposan a Blue Connectet**, majd vegye le a felső fedelet úgy, hogy mindkét oldalát megnyomja, és felfelé húzza.
2. Csavarja le a töltőport sapkáját, és csatlakoztassa az USB-C kábelt a készülékhez és egy áramforráshoz a töltéshez.



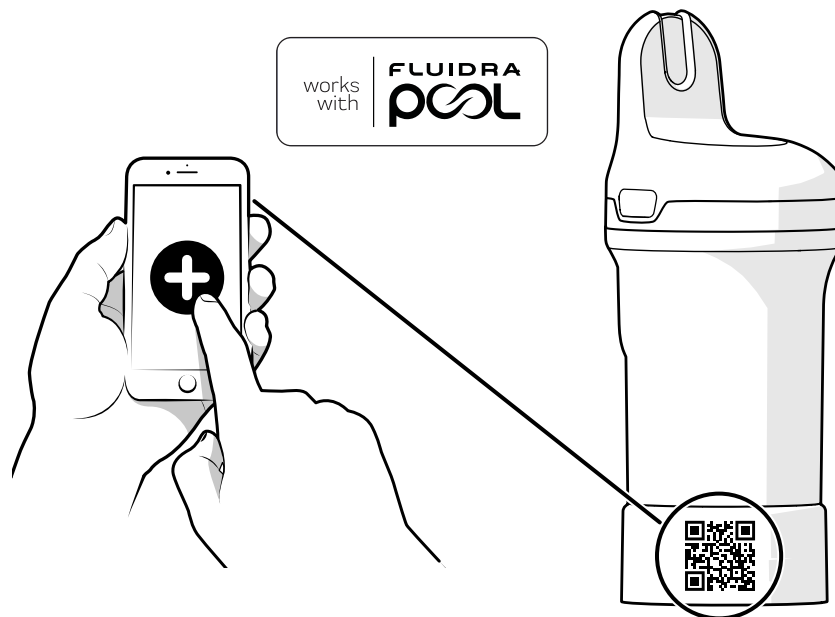


**A töltőportnak száraznak kell lennie a töltés előtt. Száraz helyen, száraz kézzel kezelje.**

3. Töltés után **szorosán zárja le a töltőportot**, és helyezze vissza a tetejét a Blue Connectre

## Párosítás az alkalmazással

Nyissa meg a Fluidra Pool alkalmazást, és kattintson az **Add Equipment** (Berendezés hozzáadása) lehetőségre a Blue Connect párosításához. A párosításhoz használt QR-kód a tárolótalpon és a töltéskor eltávolított felső fedél alatt található.

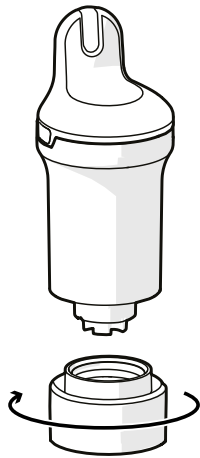


Az alkalmazáshoz való kapcsolódás után az alkalmazásban értesítést kap, ha firmware-frissítések állnak rendelkezésre. A termék frissítéséhez kövesse az alkalmazásban megjelenő utasításokat.

## Telepítés

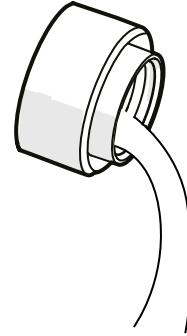
Használat előtt el kell távolítani a tárolótalpat, és fel kell helyezni az érzékelősapkát.

1. Állítsa a Blue Connectet függőleges helyzetbe, és csavarja ki a tárolótalpat.

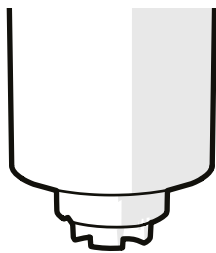


2. Ürítse ki a tárolótalpat, és tiszta vízben öblítse le. Tegye félre.

**MEGJEGYZÉS:** Tartsa a tárolótalpat biztonságos helyen, hogy később is használhassa.



3. Öblítse le a szondát tiszta vízben.

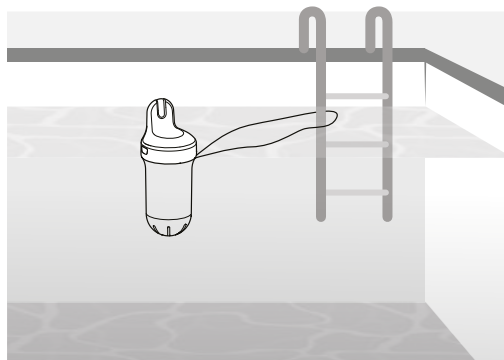


4. A szondák védelme érdekében csavarja fel az érzékelősapkát.



5. Helyezze a Blue Connectet a medencébe, és hagyja lebegni a vízben. Ha szükséges, rögzítse a kábellel egy rögzítési ponthoz.

Győződjön meg arról, hogy a készülék függőleges helyzetben van, és a teteje nincs a vízben, hogy lehetővé tegye a megfelelő kommunikációt.

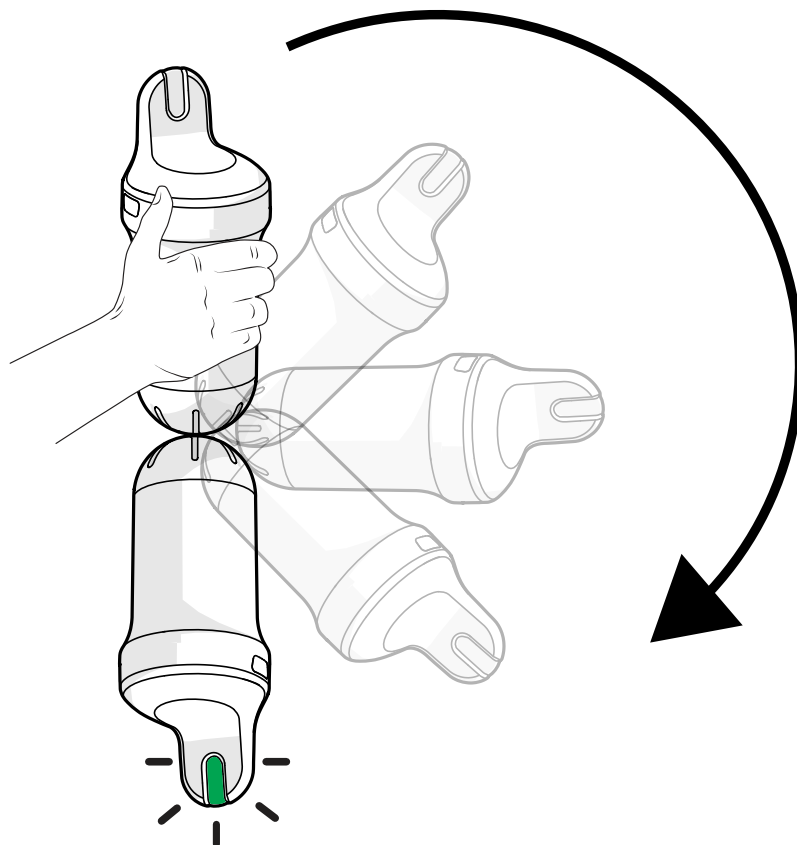


**Medencetakaróval rendelkező medencék esetében nem ajánlott a kábel használata a Blue Connect csatlakoztatásához a medencefedél lecsukásakor. Ha csatlakoztatva van, előfordulhat, hogy a készülék vízbe merül, és megszakad a kapcsolat.**

## 5. ÁLLAPOTJELZŐ LED

A terméken lévő LED jelzőlámpa tájékoztatást nyújt a vízminőségről, az akkumulátor állapotáról és a töltésről.

Ha közvetlenül az eszközön szeretné ellenőrizni a víz/akkumulátor állapotát (ahelyett, hogy az alkalmazásban nézné meg), vegye ki a vízből, és fordítsa lefelé az ábrán látható módon. Legalább 1 másodpercig tartsa fejjel lefelé. A Blue Connect hangjelzést ad, és a LED világítani kezd (lásd az alábbi LED-állapottáblázatot).



ÁLLAPOT	ÁLLAPOTJELZŐ LED/HANGJELZÉS	LEÍRÁS
Töltés alatt	Lassan villogó kék / 1 hangjelzés	Töltés alatt
	Folyamatos kék	Feltöltve (tele)
Nincs aktiválva	Nem világít	Az eszköz nincs aktiválva
Gyors állapotellenőrzés (Lásd az alábbi magyarázatot)	3 piros villogás / 3 hangjelzés	Az akkumulátor töltöttsége alacsony
	Folyamatos zöld 5 mp / 1 hangjelzés	Víz OK
	Folyamatos narancssárga 5 mp / 1 hangjelzés	A víz nincs rendben (a vízminőséget ellenőrizni és korrigálni kell. További információkért tekintse meg a Fluidra Pool alkalmazást.)
	Folyamatos fehér 5 mp / 1 hangjelzés	Nincs vízállapot, a készülék be van kapcsolva
Firmware-frissítés	Gyorsan villogó kék / 1 hangjelzés	

## 6. KARBANTARTÁS

Minden karbantartási műveletet a Fluidra Pool alkalmazás segítségével kell elvégezni.

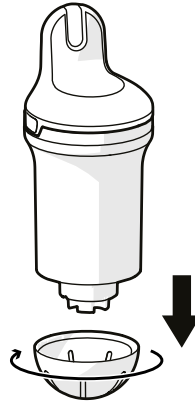


- A kalibrációs termékek kizárólag egyszer használatosak. Soha ne használja őket kétszer. Kérjük, vegye fel a kapcsolatot viszonteladójával, hogy újat kapjon.
- A kalibrálás nem végezhető el a készülék töltése közben.

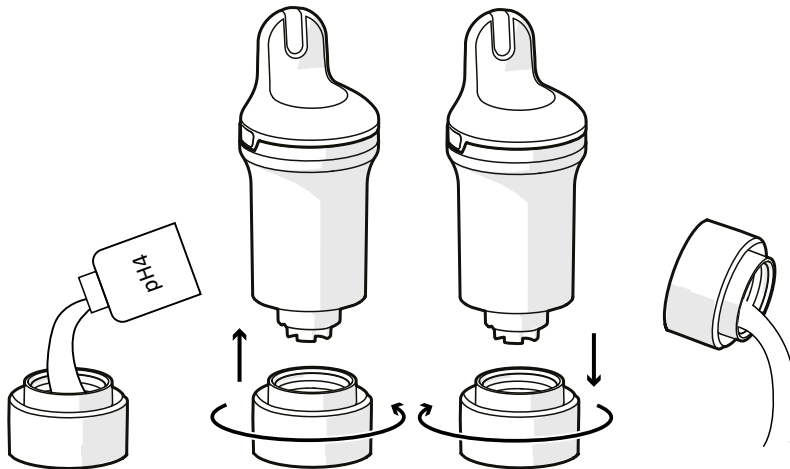
### pH-szonda kalibrálása

A pH-szonda kalibrálását szezononként egyszer el kell végezni. Kalibrációs készletre van szükség – további információért forduljon a helyi viszonteladóhoz. Az első telepítéshez nem szükséges.

1. Vegye ki a készüléket a vízből, távolítsa el az érzékelősapkát, és tiszta vízben öblítse le a szondát.



2. Öblítse le a tárolótalpat tiszta vízzel, és törölje szárazra.
3. Győződjön meg róla, hogy okostelefonján aktiválva van a Bluetooth®. A teljes kalibrálási folyamat során maradjon a készülék közelében.
4. Az alkalmazásban válassza ki a terméket, keresse meg a szonda kalibrálása részt, és kövesse az útmutató lépéseit.
5. Helyezzen pH4-oldatot a tárolótalpba, és csavarozza rá az eszközre. Kövesse az alkalmazásban megjelenő utasításokat.
6. Miután a pH4 mérés befejeződött, csavarja ki a tárolótalpat, és öblítse ki a szondát. Ürítse ki, öblítse le tiszta vízzel, és törölje le a lábát.



7. Ismétlje meg az 5. lépést a pH7-oldattal.



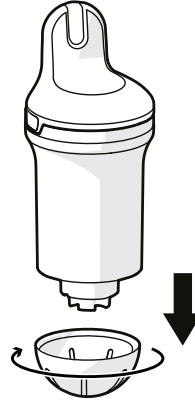
A keveredések elkerülése érdekében kalibrációs termék használata után mindig tisztítsa meg a szondát és a tárolótalpat tiszta vízzel.

8. Hitelesítse a kalibrálást.
9. Helyezze fel az érzékelősapkát a Blue Connectre, és helyezze vissza a medencébe.

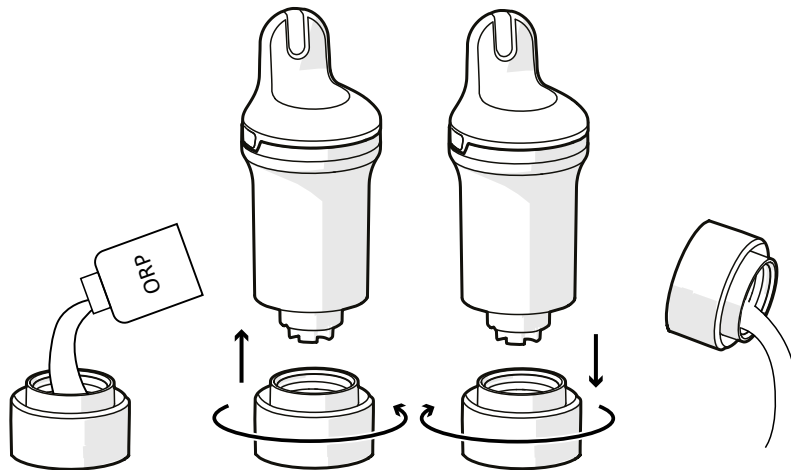
## Az ORP-szonda kalibrálása

Az ORP szonda kalibrálását szezononként egyszer el kell végezni. Kalibrációs készletre van szükség – további információért forduljon a helyi viszonteladóhoz. Az első telepítéshez nem szükséges.

1. Vegye ki a készüléket a vízből, távolítsa el az érzékelősapkát, és tiszta vízben öblítse le a szondát.



2. Öblítse le a tárolóalpat tiszta vízzel, és törölje szárazra.
3. Győződjön meg róla, hogy okostelefonján aktiválva van a Bluetooth®. A teljes kalibrálási folyamat során maradjon a készülék közelében.
4. Az alkalmazásban válassza ki a terméket, keresse meg a szonda kalibrálása részt, és kövesse az útmutató lépéseit.
5. Helyezzen ORP-oldatot a tárolóalpatba, és csavarozza rá az eszközre. Kövesse az alkalmazásban megjelenő utasításokat
6. Miután az ORP mérés befejeződött, csavarja ki a tárolóalpat, és öblítse ki a szondát. Ürítse ki, öblítse le tiszta vízzel, és törölje le a lábát.



- A keveredések elkerülése érdekében kalibrációs termék használata után mindig tisztítsa meg a szondát és a tárolóalpat tiszta vízzel.
- Az ORP/redox kalibrálás után a helyes mérések eléréséhez bizonyos időre lehet szükség. Várjon legalább 6 órát, mielőtt mérést végez a medencében.

7. Hitelesítse a kalibrálást.
8. Helyezze fel az érzékelősapkát a Blue Connectre, és helyezze vissza a medencébe.

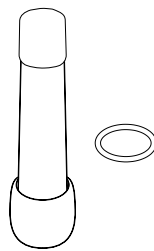
## A szonda cseréje

A szondát körülbelül kétévente kell kicserélni. Új szonda beszerzéséhez vegye fel a kapcsolatot viszonteladójával.



- A szonda maximális élettartamának biztosítása érdekében tartsa a szondát a lehető leghosszabb ideig párás környezetben. Ha kiveszi a készüléket a vízből, akkor a tárolótalpat KCl-el (telített kálium-klorid), pH4-el vagy végső esetben medence vízzel kell feltölteni.
- Az alacsony pH-érték (a megfelelő medenceparamétereken belül) növeli a szonda élettartamát.
- A szonda cseréjekor ügyeljen arra, hogy a termék ne maradjon túl sokáig nyitva, mivel a nedvszívó nedvességet szívhat fel, majd ha le van zárva ezt a nedvességet a termékbe juttathatja

### Szonda cserekészlet

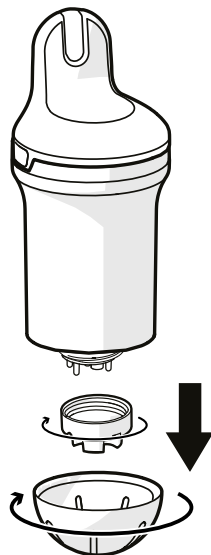


### Telepítés



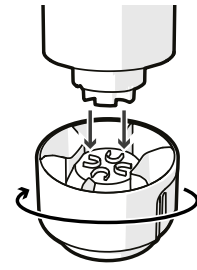
**Nyomatékosan javasoljuk, hogy ezt az eljárást függőleges helyzetben tartva végezze el, hogy ne kerüljön víz a készülékbe.**

1. Az alkalmazásban válassza ki a terméket, keresse meg a szonda cseréje részt, és kövesse az útmutató lépéseit.
2. Vegye ki a Blue Connectet a vízből. Törölje szárazra a készüléket, és száraz, tiszta helyen kezdje meg az eljárást.
3. Távolítsa el az érzékelősapkát és a szonda fedelét.

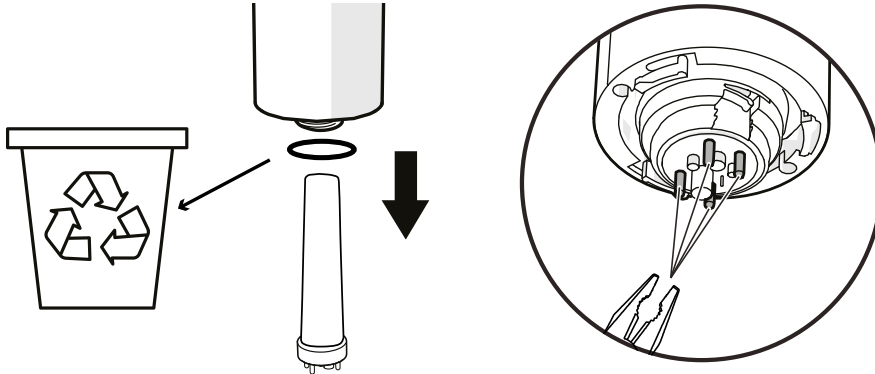




Szükség esetén a szondafedél lecsavarásához használja a tárolótalp alsó részét.

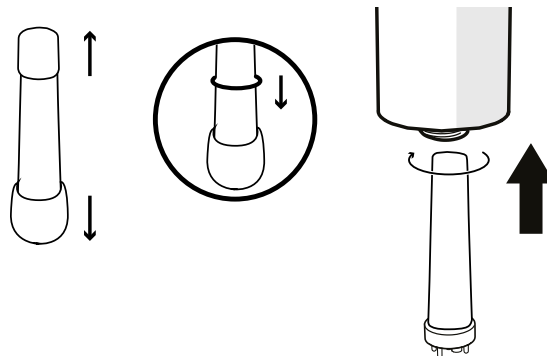


4. Óvatosan húzza meg a szonda négy műanyag csúcsát. Ha szükséges, óvatosan használjon fogót a szonda eltávolításához (lásd a nagyítást). Törölje le a maradék vizet, és tartsa a készüléket függőlegesen. Ne felejtse el eltávolítani a tömítést, és selejtezze le (előfordulhat, hogy beszorul).



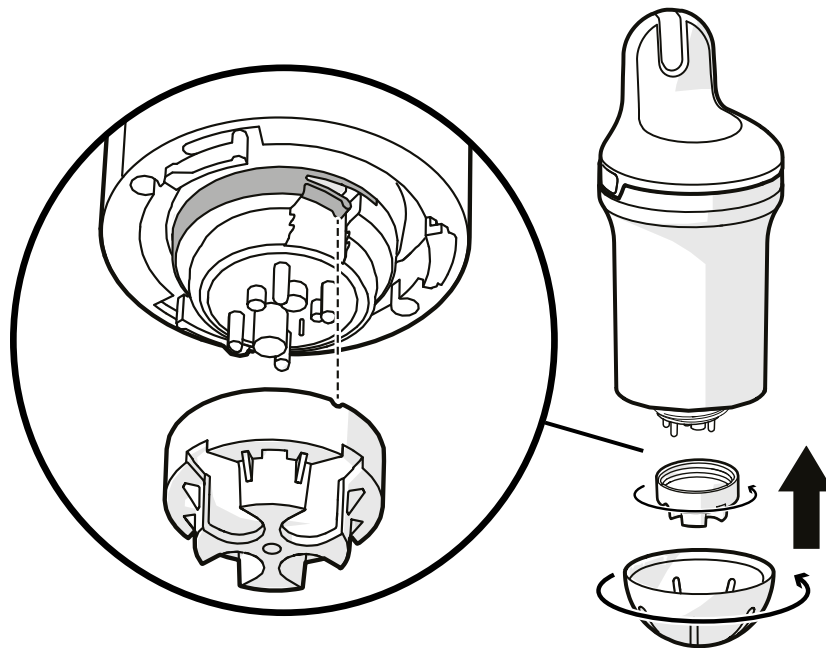
5. Olvassa be az új szonda QR-kódját

6. Távolítsa el az új szonda védőburkolatát. Helyezze az új tömítést az új szondára. Helyezze be a szondát, és fordítsa el, amíg a helyére nem kerül.

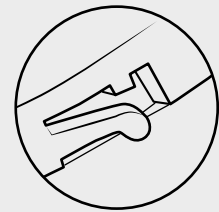


- Vigyázzon, hogy ne ejtse le a szondát, mert nagyon törékeny.
- A károsodás elkerülése érdekében NE használjon semmilyen eszközt, és NE érintse meg a szonda érzékelési területeit a felszerelés során.
- Ezeket a lépéseket a lehető leggyorsabban kell elvégezni, hogy a készülék ne legyen túl sokáig nyitva.

7. Csavarja erősen a szonda fedelét az eszközre, amíg a helyére nem kattan (lásd a nagyítást). A rögzítéshez használja a tárolótalp alsó részét. Ezután helyezze fel az érzékelősapkát, és helyezze vissza a Blue Connectet a vízbe.



**A szonda fedelét úgy kell becsavarni, hogy a kis fül az ábrán látható módon a helyére kattanjon. Ellenkező esetben a termék károsodhat.**



Az érzékelőnek néhány órába is beletelhet, amíg stabilizálja a paramétereit az úszómedencébe történő első merítés után

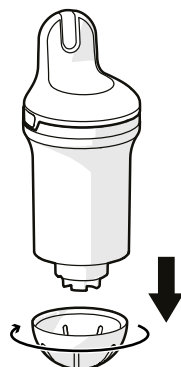
## Téliesítés

Ahhoz, hogy készüléke működőképes állapotban maradjon, téli üzemmódba állítva télen is megfelelően kell tárolnia. Az alábbi eljárás végrehajtása előtt győződjön meg róla, hogy a készülék teljesen fel van töltve.

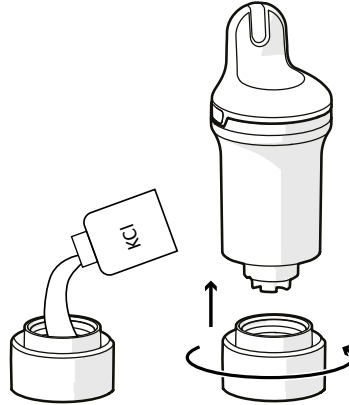
### Téli üzemmód

A téli tárolás előtt a készüléket téli üzemmódba kell állítani. **A téli üzemmód nem kapcsolható be, ha a készülék töltődik.**

1. Vegye ki a Blue Connectet a vízből. Távolítsa el az érzékelősapkát.



2. Győződjön meg arról, hogy az internet (Wi-Fi vagy 4G) és a Bluetooth® engedélyezve van az okostelefonján. A teljes készenléti folyamat során maradjon a készülék közelében.
3. Állítsa a készüléket téli üzemmódba – az alkalmazásban válassza ki a terméket, keresse meg a téli üzemmódot, és kövesse az utasításokat.
4. Öblítse le a tárolótalpat tiszta vízzel, és törölje le. Helyezzen KCl-t (telített kálium-klorid) vagy pH4-et (vagy végső esetben vizet) a tárolótalpba, és csavarozza fel.



A tárolótalpban lévő KCl agglomerált só képződését okozhatja az eszköz testével való találkozásokor, de ez semmilyen esetben sem veszélyes. Egyszerűen öblítse le tiszta vízzel.

5. Ellenőrizze a téli üzemmódot, és tárolja a Blue Connectet a fagytól védve.

## Tárolás

Ha több mint egy órára ki kell vennie a Blue Connectet a medencéből, töltsse fel a tárolótalpat KCl-vel (telített kálium-klorid), pH4-el vagy végső esetben medence vízzel, mivel a szondát nem szabad szárazon hagyni.

## Újraaktiválás a téliesítés után

A Blue Connect téliesítést követő újbóli aktiválásához egyszerűen csatlakoztassa azt az akkumulátor feltöltéséhez. Ez felébreszti a készüléket.

## 7. HIBAELHÁRÍTÁS

PROBLÉMA	MEGOLDÁS
A párosítás sikertelen	Ne keverje össze a hozzáférési kódban lévő betűket és számokat (pl. B és 8, I és 1 stb.).
A mérések nem megfelelőek.	<ul style="list-style-type: none"> <li>Ellenőrizze az érzékelő kalibrálását.</li> <li>A levegőbuborékok téves mérésekhez vezethetnek. Mozgassa lassan a készüléket, hogy eltávolítsa a levegőbuborékokat.</li> </ul>
Furcsa mérések (pH és ORP)	Ennek okai lehetnek a szondában lévő buborékok. Rázza meg a készüléket víz alatt, hogy megszabaduljon a buborékoktól, és végezze el újból a mérést.
A készüléket fejjel lefelé fordítja, hogy ellenőrizze az állapotot, de semmi sem történik	<ul style="list-style-type: none"> <li>Lassan fordítsa meg a készüléket, és legalább 1 másodpercig tartsa fejjel lefelé.</li> <li>Csatlakoztassa a töltéshez.</li> </ul> <p>Ha a LED továbbra sem világít, forduljon a márkakereskedőhöz.</p>
A készülék nem töltődik (nincs kék LED)	<ul style="list-style-type: none"> <li>Ellenőrizze a töltőjét</li> <li>Ellenőrizze az USB-C kábelt</li> </ul> <p>Ha a készülék továbbra sem töltődik, forduljon a márkakereskedőhöz.</p>
Amikor Bluetooth-on keresztül szeretné csatlakoztatni a készülékét, a készüléket nem észleli a rendszer, és nem jelenik meg az eszközlistán.	<ul style="list-style-type: none"> <li>Ellenőrizze, hogy a Bluetooth aktív-e az okostelefonján</li> <li>Ellenőrizze, hogy a készülék nincs-e már csatlakoztatva egy másik okostelefonhoz</li> <li>Töltse fel a készüléket</li> </ul> <p>Ha a készülék továbbra sem töltődik, forduljon a márkakereskedőhöz.</p>
A termék megfordítása után nem jelenik meg a vízállapot színe.	<ul style="list-style-type: none"> <li>Ellenőrizze egy sötétebb területen vagy a kezével árnyékot vetve</li> <li>Töltse fel a készüléket</li> </ul>
A készüléket gyakran kell tölteni	<ul style="list-style-type: none"> <li>Ellenőrizze a Wi-Fi jel minőségét</li> <li>Próbálja meg a készüléket a medence más pontján hagyni</li> <li>Telepítsen egy Wi-Fi jelismétlőt a medence közelébe</li> </ul>
A jelentett adatok teljesen kívül esnek a tartományon	Ellenőrizze, hogy a szonda jelen van-e, hogy az anya szoroson fel van-e csavarva, és hogy a csavarozási rögzítő a helyén van-e.
Páralecsapódás jelenik meg a LED területen	Ez normális, és nem befolyásolja a termék működését. A páralecsapódás eltűnik, ha a terméket megfelelően tárolják több mint 6 napig.
A termék nem csatlakozik a Wi-Fi-hez	Helyezze közelebb a terméket a Wi-Fi routerhez.
Nincs mérés az első telepítéskor vagy a téliesítés után	Az érzékelő túl száraz. Hagyja az érzékelőt a vízben 24 órán át, majd kalibrálja, és ellenőrizze, hogy az érzékelő megfelelően működik-e.

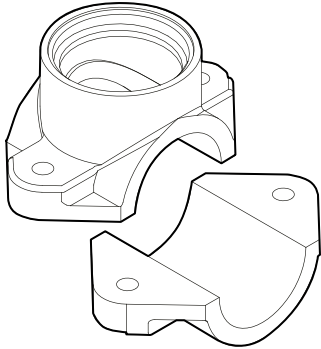
## 8. A BLUE FIT50 BEMUTATÁSA

A Blue Fit50 a Blue Connect rendszerrel kompatibilis tömlőbilincs. Lehetővé teszi a Blue Connect telepítését a műszaki helyiségben lévő csővezetékekre.



A Blue Fit50 a Blue Connect tartozéka. Külön vásárolható meg.

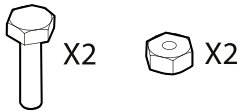
## 9. BLUE FIT50 LEÍRÁSA



**Egy tömlőbilincs**



**Egy menetes sapka**



**Két csavar és fejescsavar**

### Használattal kapcsolatos óvintézkedések

- Ne hagyja a Blue Connectet a Blue Fit50-en, ha nincs víz a csövekben.
- Ha a hidraulikus körön kezeli (vízlökés veszélye), tanácsos eltávolítani a Blue Connectet, hogy ne sértse meg a terméket.
- Ügyeljen arra, hogy a telepítés során megfelelő áramlást hozzon létre, hogy a Blue Connect el tudja végezni a méréseket.
- A Blue Connectet mindig függőlegesen, a szondával lefelé helyezze el.
- Ne töltsé a Blue Connectet, ha a Blue Fit50 készülékre van felszerelve. Töltés előtt vegye ki.
- Ne töltsé folyamatosan a készüléket. Töltés közben a mért értékek hibásak lehetnek.

## 10.A BLUE FIT50 TELEPÍTÉSE

Ügyeljen arra, hogy a Blue Fit50-et mindig a szűrő után helyezze el (a szondák károsodásának elkerülése érdekében), valamint a termékbefecskendező rendszer vagy az elektrolízis előtt (a Blue Connect által végzett mérések megváltoztatásának elkerülése érdekében).

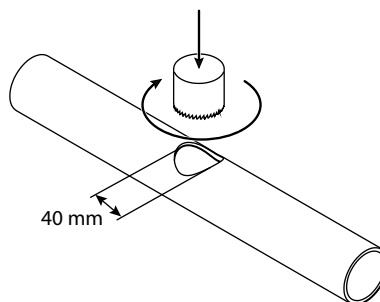
A maximális megengedett víznyomás a csőbe történő beszereléskor 300 kPa.

Szükség esetén kérjen tanácsot medenceszakértőtől, ha kétségei vannak.

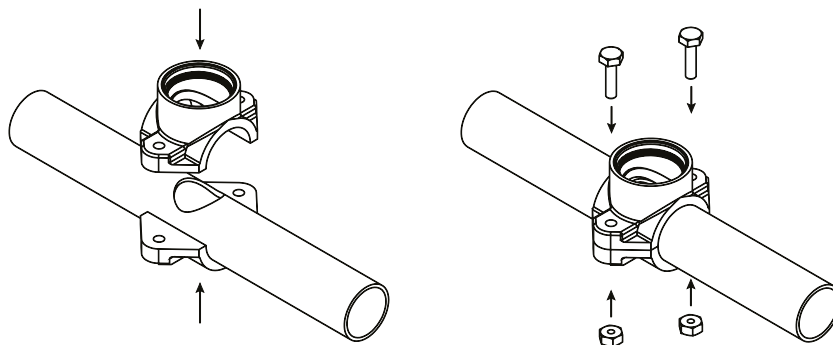
1. Kapcsolja ki a szűrőrendszert.
2. Egy 40 mm átmérőjű lyukfűrészszel fúrjon egy lyukat a cső felső részébe.



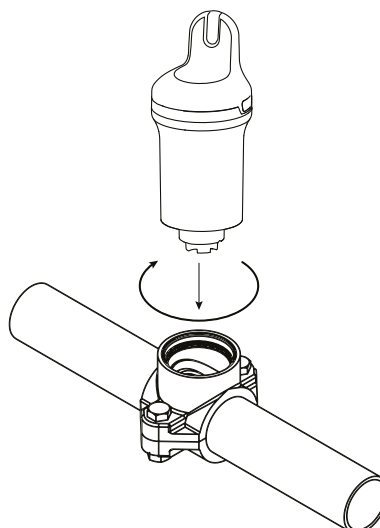
A Blue Connectnek függőleges helyzetben, a szondával lefelé kell lennie.



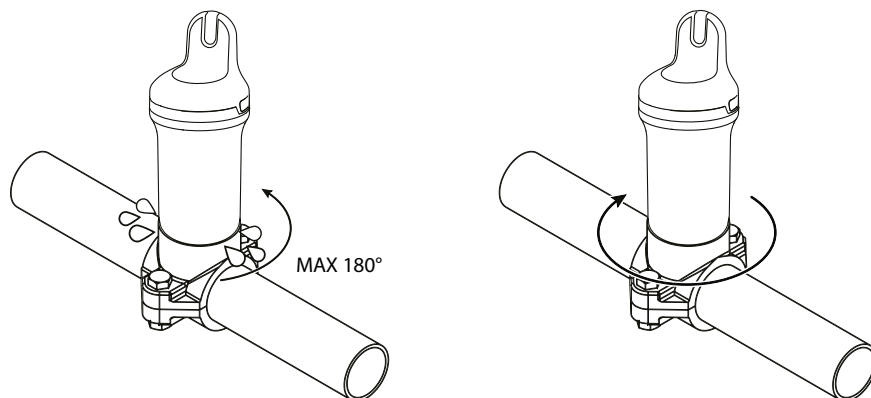
3. Helyezze a tömlőbilincs mindkét részét a cső két oldalára úgy, hogy a furatok egybeessenek, majd csavarja be a tömlőbilincset.



4. Csavarja fel a Blue Connectet a tömlőbilincsrre. A Blue Connect felső peremének párhuzamosnak kell lennie a csővel.



5. Kapcsolja be a szűrőrendszert.
6. Enyhén és lassan csavarja ki a Blue Connectet (legfeljebb  $\frac{1}{2}$  fordulattal), hogy eltávolítsa a levegőt. Ha víz folyik ki, az azt jelenti, hogy nem maradt levegő a csövekben, és ezután ismét szorosan becsavarhatja a Blue Connectet.

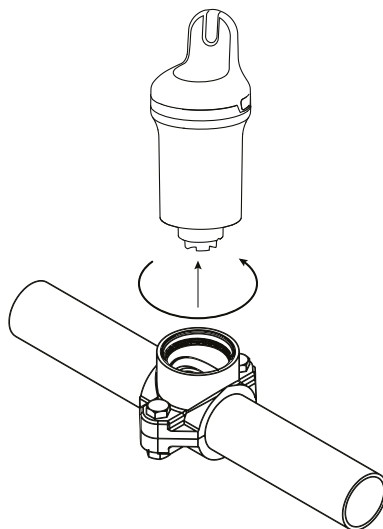


7. Az alkalmazásban válassza ki a terméket, keresse meg a Blue Fit50 aktiválása opciót, és kövesse az utasításokat.

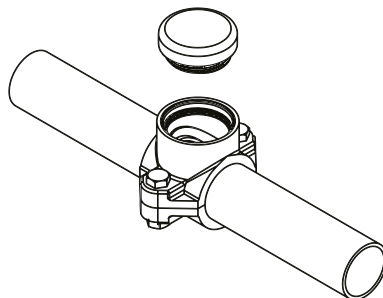
## 11.A BLUE FIT50 TÉLIESÍTÉSE

Kövesse ezt az eljárást, amikor felkészül a Blue Connect téli tárolására.

1. Kapcsolja ki a szűrőszivattyút, zárja el a szelepeket, és csavarja ki a Blue Connectet.



2. Zárja le a tömlőbilincset a Blue Fit50 dobozában mellékelt kupakkal.



3. Kövesse a Blue Connect téliesítésre vonatkozó eljárást (lásd: [„Téliesítés”, 235. oldal](#)).

## ΠΕΡΙΕΧΟΜΕΝΑ

1. ΠΑΡΟΥΣΙΑΣΗ BLUE CONNECT.....	242
Σύνοψη .....	242
2. ΠΕΡΙΓΡΑΦΗ .....	243
3. ΕΓΚΑΤΑΣΤΑΣΗ ΤΗΣ ΕΦΑΡΜΟΓΗΣ .....	244
Λήψη της εφαρμογής .....	244
4. ΕΓΚΑΤΑΣΤΑΣΗ ΤΟΥ BLUE CONNECT.....	244
Φόρτιση .....	244
Σύζευξη με την εφαρμογή .....	245
Εγκατάσταση.....	246
5. ΕΝΔΕΙΞΗ LED ΚΑΤΑΣΤΑΣΗΣ .....	247
6. ΣΥΝΤΗΡΗΣΗ.....	248
Βαθμονόμηση αισθητήρα pH .....	248
Βαθμονόμηση αισθητήρα ORP .....	249
Αντικατάσταση αισθητήρα .....	250
Προετοιμασία για τη χειμερινή περίοδο .....	252
7. ΑΝΤΙΜΕΤΩΠΙΣΗ ΠΡΟΒΛΗΜΑΤΩΝ .....	254
8. ΕΠΙΣΚΟΠΗΣΗ BLUE FIT50 .....	255
9. ΠΕΡΙΓΡΑΦΗ BLUE FIT50.....	255
Προφυλάξεις χρήσης .....	255
10. ΕΓΚΑΤΑΣΤΑΣΗ BLUE FIT50.....	256
11. ΠΡΟΕΤΟΙΜΑΣΙΑ BLUE FIT50 ΓΙΑ ΤΗ ΧΕΙΜΕΡΙΝΗ ΠΕΡΙΟΔΟ .....	257



**Ανακύκλωση** Αυτό το σύμβολο απαιτείται από την ευρωπαϊκή Οδηγία ΑΗΗΕ 2012/19/ΕΕ (οδηγία σχετικά με τα απόβλητα ηλεκτρικού και ηλεκτρονικού εξοπλισμού) και σημαίνει ότι η συσκευή σας δεν πρέπει να απορρίπτεται σε κανονικό κάδο. Θα γίνεται επιλεκτική συλλογή για σκοπούς επαναχρησιμοποίησης, ανακύκλωσης ή μεταποίησης. Αν περιέχει οποιεσδήποτε ουσίες που ενδεχομένως να είναι επιβλαβείς για το περιβάλλον, αυτές θα απαλειφθούν ή θα εξουδετερωθούν. Για πληροφορίες σχετικά με την ανακύκλωση, επικοινωνήστε με τον πωλητή σας.



- Πριν χρησιμοποιήσετε τη συσκευή, είναι σημαντικό να διαβάσετε τις προειδοποιήσεις για την ασφάλεια και το φυλλάδιο εγγύησης που συνοδεύουν το προϊόν. Αν δεν το κάνετε, ενδέχεται να προκύψει σοβαρός ή μοιραίος τραυματισμός, βλάβη στα υλικά ή σοβαρός και ακύρωση της εγγύησης.
- Φυλάξτε και διαβιβάστε αυτά τα έγγραφα, για να τα συμβουλευτείτε στο μέλλον, καθ' όλη τη διάρκεια ζωής της συσκευής.
- Η διανομή ή η τροποποίηση αυτού του εγγράφου με οποιονδήποτε τρόπο, χωρίς την προγενέστερη συγκατάθεση του κατασκευαστή, απαγορεύεται.
- Ο κατασκευαστής αναπτύσσει συνεχώς τα προϊόντα του για να βελτιώνει την ποιότητά τους. Ο κατασκευαστής διατηρεί το δικαίωμα να αλλάξει πλήρως ή εν μέρει τα χαρακτηριστικά των προϊόντων ή το περιεχόμενο αυτού του εγγράφου χωρίς προηγούμενη προειδοποίηση.

## 1. ΠΑΡΟΥΣΙΑΣΗ BLUE CONNECT

Το Blue Connect μετρά συνεχώς τις βασικές παραμέτρους της πισίνας σας (θερμοκρασία, pH, χλώριο, αγωγιμότητα). Σας ενημερώνει, επίσης, για την εξωτερική θερμοκρασία και τον καιρό με βάση τον προσδιορισμό της γεωγραφικής θέσης σας. Έπειτα, λαμβάνετε τα αποτελέσματα αυτής της ανάλυσης μέσω ειδοποιήσεων στην εφαρμογή Fluidra Pool (διατίθεται για smartphone και tablet, είναι συμβατή με Android™ και iOS). Εάν η συσκευή ανιχνεύσει ότι μία από τις παραμέτρους είναι εσφαλμένη, θα λάβετε μια ειδοποίηση και πληροφορίες σχετικά με την επανορθωτική ενέργεια που πρέπει να εκτελέσετε για τη ρύθμιση και τη σταθεροποίηση αυτής της παραμέτρου, προκειμένου η ποιότητα του νερού να διατηρείται υγιεινή και ισορροπημένη.

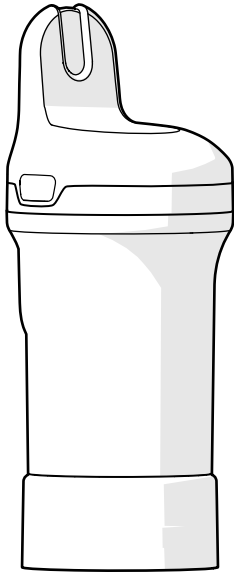
### Σύνοψη

Το Blue Connect μετρά τα εξής:

- **Θερμοκρασία νερού** (°C): Μετρά τη θερμοκρασία του νερού. Η αυξημένη θερμοκρασία μειώνει την αποτελεσματικότητα του χλωρίου και προωθεί την ανάπτυξη μικροοργανισμών.
- **pH** (δυναμικό υδρογόνου): Μετρά τον όξινο ή βασικό χαρακτήρα του νερού. Το pH συμβάλλει στην αποτελεσματικότητα του απολυμαντικού.
- **ORP/REDOX** (δυναμικό οξειδοαναγωγής/οξειδοαναγωγικό δυναμικό): Το ORP ή REDOX μετρά την οξειδωτική ισχύ του νερού σε mV. Παρέχει πληροφορίες για την ισχύ απολύμανσης του νερού.
- **Αγωγιμότητα** (μS): Μετρά τη συγκέντρωση ανόργανων αλάτων στο νερό μέσω της ικανότητας του νερού ως αγωγού του ηλεκτρισμού (ανάλογα με το μοντέλο).
- **Αλατότητα** (g/L): Μετρά τη συγκέντρωση άλατος που είναι διαλυμένο στο νερό (ανάλογα με το μοντέλο).

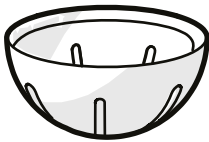
## 2. ΠΕΡΙΓΡΑΦΗ

---



**Blue Connect** - Παρέχεται προσαρτημένο στη βάση αποθήκευσης για την προστασία του αισθητήρα κατά τη μεταφορά. Ο αισθητήρας είναι εμβυθισμένος σε KCl (κορεσμένο χλωριούχο κάλιο), το οποίο διασφαλίζει την προστασία του.

**Βάση αποθήκευσης** - Χρησιμοποιείται για τη μεταφορά του αισθητήρα εκτός νερού ή για τη διατήρηση των αισθητήρων εμβυθισμένων για παρατεταμένη αποθήκευση (για παράδειγμα, κατά τη φόρτιση ή τον χειμώνα).

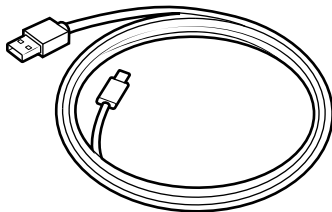


**Καπάκι αισθητήρων** - Πρέπει πάντοτε να τοποθετείται στη συσκευή πριν από την τοποθέτησή της στο νερό. Προστατεύει τους αισθητήρες από βλάβη.



**Λουράκι** - Χρησιμοποιείται για την προσάρτηση της συσκευής σε ένα σημείο σύνδεσης (προαιρετικά).

Ενδέχεται να πρέπει να χρησιμοποιήσετε μια μικρή πένσα για να τον εισαγάγετε στο άνοιγμα στο πλάι του προϊόντος.

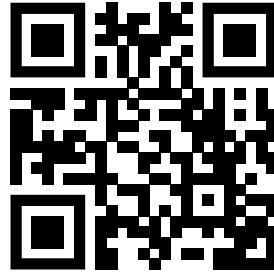


**Καλώδιο USB-C** - Χρησιμοποιείται για τη φόρτιση

### 3. ΕΓΚΑΤΑΣΤΑΣΗ ΤΗΣ ΕΦΑΡΜΟΓΗΣ

#### Λήψη της εφαρμογής

Κατεβάστε την εφαρμογή Fluidra Pool και ακολουθήστε τις οδηγίες για να δημιουργήσετε λογαριασμό και να ρυθμίσετε την πισίνα σας.



### 4. ΕΓΚΑΤΑΣΤΑΣΗ ΤΟΥ BLUE CONNECT

Για να χρησιμοποιήσετε το Blue Connect, πρέπει να ακολουθήσετε τα παρακάτω βήματα:

- Φορτίστε τη συσκευή,
- Συνδέστε τη συσκευή στην εφαρμογή Fluidra Pool
- Εγκαταστήστε το καπάκι αισθητήρων και τοποθετήστε τη συσκευή στην πισίνα

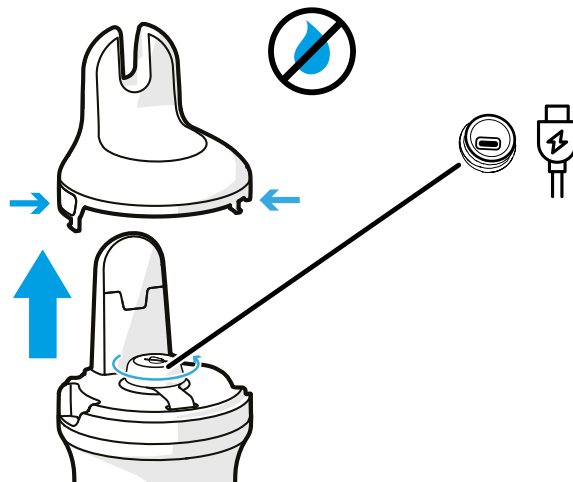
#### Φόρτιση



- Πρέπει να φορτίσετε πλήρως τη συσκευή πριν τη χρησιμοποιήσετε. Πάντα να τη φορτίζετε σε κατακόρυφη θέση χρησιμοποιώντας τη βάση αποθήκευσης γεμισμένη με διάλυμα KCl ή νερό.
- Κατά τη φόρτιση, οι μετρούμενες τιμές (pH, ORP) ενδέχεται να είναι λανθασμένες. Μην λαμβάνετε υπόψη αυτές τις τιμές κατά τη φόρτιση.

Για να φορτίσετε το Blue Connect:

1. **Στεγνώστε καλά το Blue Connect** και, στη συνέχεια, αφαιρέστε το κάλυμμα πιέζοντας τις δύο πλευρές και τραβώντας προς τα επάνω.
2. Ξεβιδώστε το κάλυμμα της θύρας φόρτισης και συνδέστε το καλώδιο USB-C στη συσκευή και σε παροχή ηλεκτρικού ρεύματος για να φορτίσετε τη συσκευή.



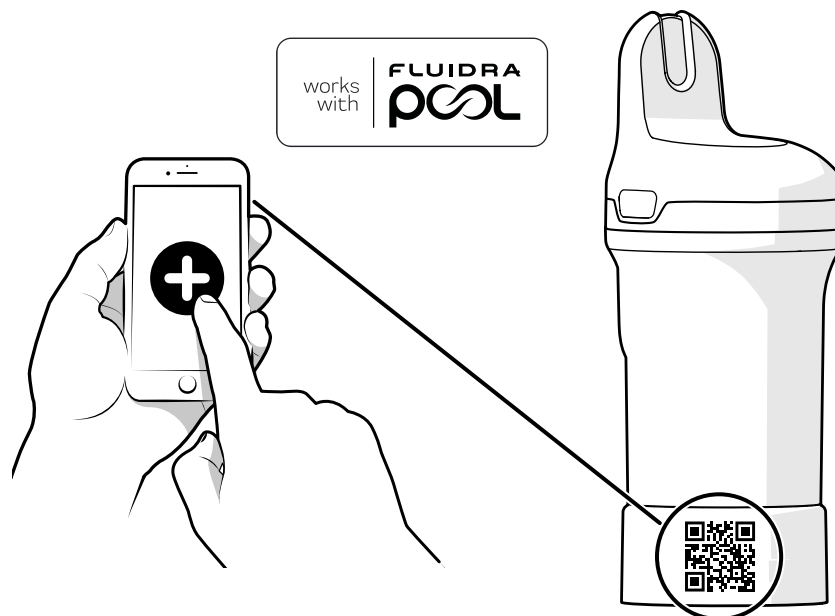


Η θύρα φόρτισης πρέπει να είναι στεγνή πριν από τη φόρτιση. Να χειρίζεστε τη συσκευή με στεγνά χέρια σε στεγνό χώρο.

3. Μετά από τη φόρτιση, **κλείστε καλά τη θύρα φόρτισης** και επανατοποθετήστε το κάλυμμα στο Blue Connect

## Σύζευξη με την εφαρμογή

Ανοίξτε την εφαρμογή Fluidra Pool και κάντε κλικ στην επιλογή **Προσθήκη εξοπλισμού** για να συνδέσετε το Blue Connect. Ο κωδικός QR που χρησιμοποιείται για τη σύζευξη βρίσκεται στη βάση αποθήκευσης και κάτω από το κάλυμμα που αφαιρείται για τη φόρτιση.

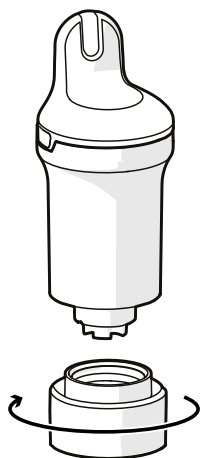


Μόλις συνδεθείτε στην εφαρμογή, θα ειδοποιηθείτε στην εφαρμογή εάν υπάρχουν διαθέσιμες ενημερώσεις υλικολογισμικού. Ακολουθήστε τις οδηγίες στην εφαρμογή για να ενημερώσετε το προϊόν σας.

## Εγκατάσταση

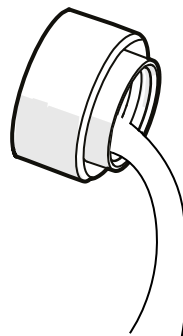
Πριν από τη χρήση, πρέπει να αφαιρέσετε τη βάση αποθήκευσης και εγκαταστήσετε το κάλυμμα αισθητήρων.

1. Τοποθετήστε το Blue Connect σε κάθετη θέση και ξεβιδώστε τη βάση αποθήκευσης.

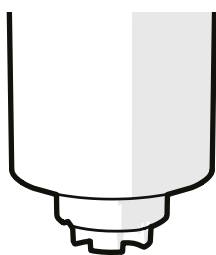


2. Αδειάστε τη βάση αποθήκευσης και ξεπλύνετε τη με καθαρό νερό. Αφήστε τη στην άκρη.

**ΣΗΜΕΙΩΣΗ:** Τοποθετήστε τη βάση αποθήκευσης σε ασφαλές σημείο για να τη χρησιμοποιήσετε αργότερα.



3. Ξεπλύνετε τον αισθητήρα με καθαρό νερό.

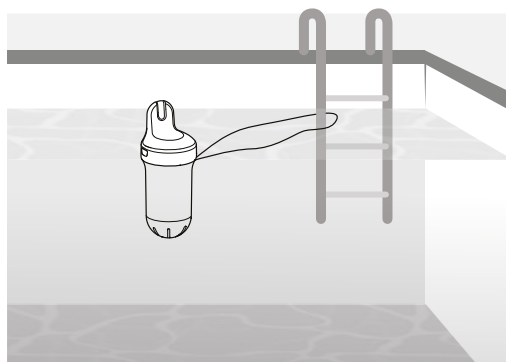


4. Βιδώστε το καπάκι αισθητήρων για την προστασία των αισθητήρων.



5. Τοποθετήστε το Blue Connect στην πισίνα και αφήστε το να επιπλέει στο νερό. Εάν απαιτείται, μπορείτε να το ασφαλίσετε στερεώνοντάς το σε ένα σημείο σύνδεσης με το λουράκι.

Βεβαιωθείτε ότι η συσκευή είναι σε κατακόρυφη θέση και ότι το επάνω μέρος της είναι έξω από το νερό, ώστε να είναι δυνατή η σωστή επικοινωνία.

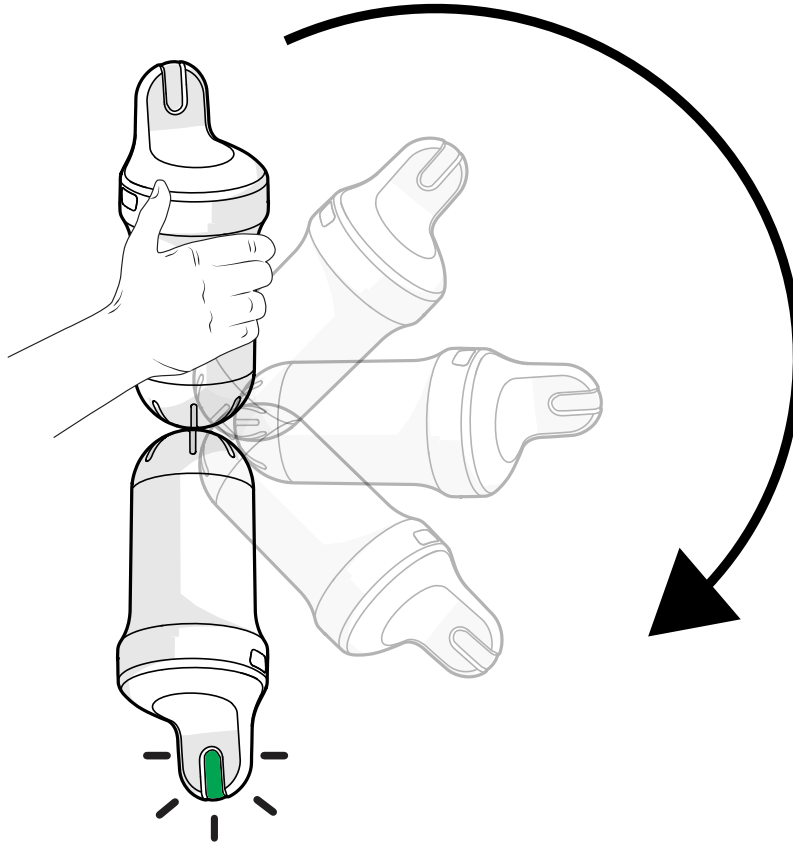


**Για πισίνες με κάλυμμα πισίνας, δεν συνιστάται η χρήση του λουριού για το δέσιμο του Blue Connect όταν το κάλυμμα πισίνας είναι κλειστό. Εάν είναι δεμένη, η συσκευή ενδέχεται να βυθιστεί στο νερό και να χάσει τη σύνδεσή του.**

## 5. ΕΝΔΕΙΞΗ LED ΚΑΤΑΣΤΑΣΗΣ

Η ένδειξη LED στο προϊόν παρέχει πληροφορίες σχετικά με την ποιότητα του νερού, την κατάσταση της μπαταρίας και τη φόρτιση.

Εάν θέλετε να δείτε την κατάσταση νερού/μπαταρίας απευθείας στη συσκευή (αντί να τη δείτε στην εφαρμογή), βγάλτε την από το νερό και γυρίστε τη ανάποδα όπως φαίνεται στο σχήμα. Πρέπει να την κρατήσετε στην ανάποδη θέση τουλάχιστον για 1 δευτερόλεπτο. Το Blue Connect εκπέμπει ένα ηχητικό σήμα και η ένδειξη LED ανάβει (ανατρέξτε στον πίνακα κατάστασης LED παρακάτω).



ΚΑΤΑΣΤΑΣΗ	ΚΑΤΑΣΤΑΣΗ LED / ΗΧΗΤΙΚΟ ΣΗΜΑ	ΠΕΡΙΓΡΑΦΗ
Φόρτιση	Μπλε που αναβοσβήνει αργά / 1 ηχητικό σήμα	Φόρτιση
	Σταθερά αναμμένο μπλε	Φορτισμένο (πλήρως)
Μη ενεργοποιημένη	Απενεργοποιημένη	Συσκευή μη ενεργοποιημένη
Γρήγορος έλεγχος κατάστασης (βλ. επεξήγηση παρακάτω)	Κόκκινο που αναβοσβήνει 3 φορές / 3 ηχητικά σήματα	Χαμηλή μπαταρία
	Σταθερά αναμμένο πράσινο 5 δευτ. / 1 ηχητικό σήμα	Νερό OK
	Σταθερά αναμμένο πορτοκαλί 5 δευτ. / 1 ηχητικό σήμα	Νερό όχι OK (πρέπει να γίνει έλεγχος και διόρθωση της ποιότητας νερού. Συμβουλευτείτε την εφαρμογή Fluidra Pool για περισσότερες πληροφορίες.)
	Σταθερά αναμμένο λευκό 5 δευτ. / 1 ηχητικό σήμα	Χωρίς κατάσταση νερού, συσκευή ενεργοποιημένη
Ενημέρωση υλικολογισμικού	Μπλε που αναβοσβήνει γρήγορα / 1 ηχητικό σήμα	

## 6. ΣΥΝΤΗΡΗΣΗ

Όλες οι διαδικασίες συντήρησης πρέπει να εκτελούνται χρησιμοποιώντας την εφαρμογή Fluidra Pool.

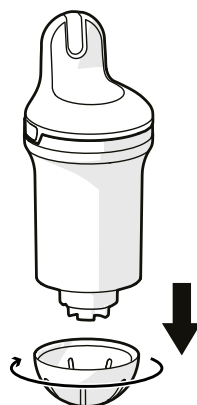


- Τα προϊόντα βαθμονόμησης είναι μόνο για μία χρήση. Ποτέ μην τα χρησιμοποιείτε δύο φορές. Επικοινωνήστε με τον μεταπωλητή σας για να προμηθευτείτε ένα καινούριο.
- Δεν πρέπει να εκτελείται βαθμονόμηση κατά τη φόρτιση της συσκευής.

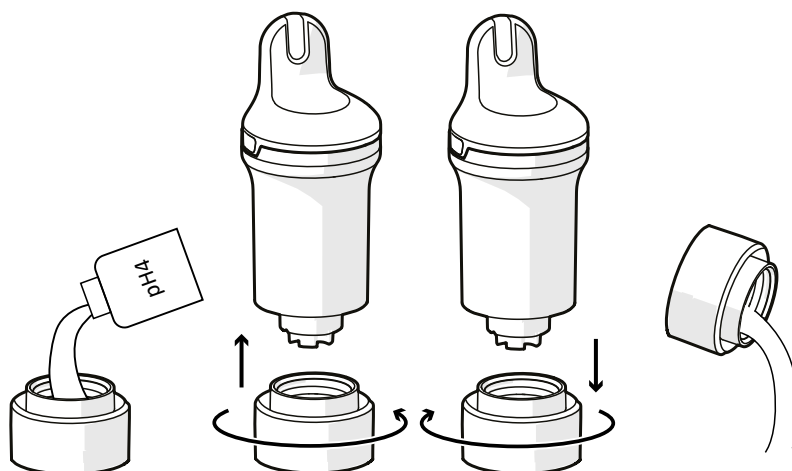
### Βαθμονόμηση αισθητήρα pH

Η βαθμονόμηση του αισθητήρα pH πρέπει να εκτελείται μία φορά τη σεζόν. Απαιτείται κιτ βαθμονόμησης-επικοινωνήστε με τον τοπικό μεταπωλητή σας για περισσότερες πληροφορίες. Δεν απαιτείται βαθμονόμηση για την πρώτη εγκατάσταση.

1. Αφαιρέστε τη συσκευή από το νερό, αφαιρέστε το καπάκι αισθητήρων και ξεπλύνετε τον αισθητήρα με καθαρό νερό.



2. Ξεπλύνετε τη βάση αποθήκευσης με καθαρό νερό και σκουπίστε τη για να στεγνώσει.
3. Βεβαιωθείτε ότι το Bluetooth® στο smartphone σας είναι ενεργοποιημένο. Παραμείνετε κοντά στη συσκευή σας καθ' όλη τη διάρκεια της διαδικασίας βαθμονόμησης.
4. Στην εφαρμογή, επιλέξτε το προϊόν, αναζητήστε την ενότητα βαθμονόμησης αισθητήρων και ακολουθήστε τα βήματα.
5. Τοποθετήστε διάλυμα pH4 στη βάση αποθήκευσης και βιδώστε τη στη συσκευή. Ακολουθήστε τις οδηγίες στην εφαρμογή.
6. Μόλις ολοκληρωθεί η μέτρηση pH4, ξεβιδώστε τη βάση αποθήκευσης και ξεπλύνετε τον αισθητήρα. Αδειάστε, ξεπλύνετε με καθαρό νερό και σκουπίστε τη βάση.



7. Επαναλάβετε το βήμα 5 χρησιμοποιώντας το διάλυμα pH7.



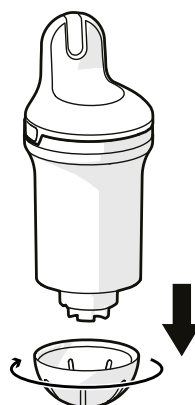
Πάντα καθαρίζετε τον αισθητήρα και τη βάση αποθήκευσης με καθαρό νερό μετά τη χρήση προϊόντος βαθμονόμησης για να αποφύγετε τις προσμίξεις.

8. Επιβεβαιώστε τη βαθμονόμηση.
9. Εγκαταστήστε το καπάκι αισθητήρων στο Blue Connect και τοποθετήστε το ξανά στην πισίνα.

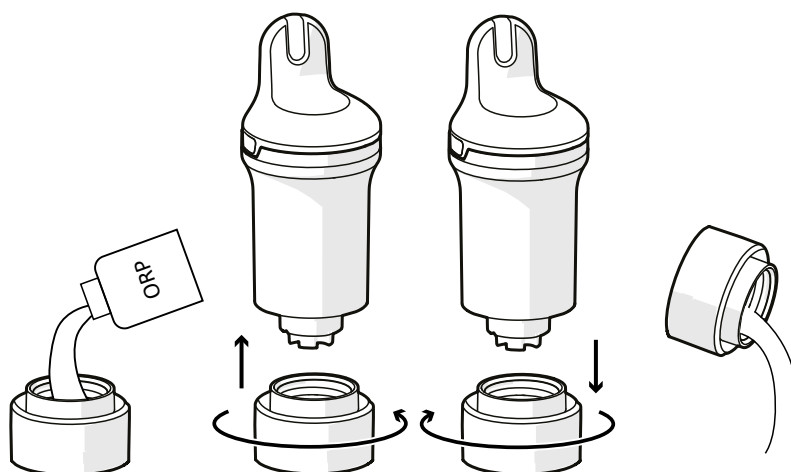
## Βαθμονόμηση αισθητήρα ORP

Η βαθμονόμηση του αισθητήρα ORP πρέπει να εκτελείται μία φορά τη σεζόν. Απαιτείται κιτ βαθμονόμησης - επικοινωνήστε με τον τοπικό μεταπωλητή σας για περισσότερες πληροφορίες. Δεν απαιτείται βαθμονόμηση για την πρώτη εγκατάσταση.

1. Αφαιρέστε τη συσκευή από το νερό, αφαιρέστε το καπάκι αισθητήρων και ξεπλύνετε τον αισθητήρα με καθαρό νερό.



2. Ξεπλύνετε τη βάση αποθήκευσης με καθαρό νερό και σκουπίστε τη για να στεγνώσει.
3. Βεβαιωθείτε ότι το Bluetooth® στο smartphone σας είναι ενεργοποιημένο. Παραμείνετε κοντά στη συσκευή σας καθ' όλη τη διάρκεια της διαδικασίας βαθμονόμησης.
4. Στην εφαρμογή, επιλέξτε το προϊόν, αναζητήστε την ενότητα βαθμονόμησης αισθητήρων και ακολουθήστε τα βήματα.
5. Τοποθετήστε διάλυμα ORP στη βάση αποθήκευσης και βιδώστε τη στη συσκευή. Ακολουθήστε τις οδηγίες στην εφαρμογή
6. Μόλις ολοκληρωθεί η μέτρηση ORP, ξεβιδώστε τη βάση αποθήκευσης και ξεπλύνετε τον αισθητήρα. Αδειάστε, ξεπλύνετε με καθαρό νερό και σκουπίστε τη βάση.



- Πάντα καθαρίζετε τον αισθητήρα και τη βάση αποθήκευσης με καθαρό νερό μετά τη χρήση προϊόντος βαθμονόμησης για να αποφύγετε τις προσμίξεις.
- Μετά τη βαθμονόμηση ORP/οξειδοαναγωγής, ενδέχεται να χρειαστεί λίγος χρόνος για να ληφθούν σωστές μετρήσεις. Περιμένετε τουλάχιστον 6 ώρες πριν κάνετε μια μέτρηση στην πισίνα.

7. Επιβεβαιώστε τη βαθμονόμηση.
8. Εγκαταστήστε το καπάκι αισθητήρων στο Blue Connect και τοποθετήστε το ξανά στην πισίνα.

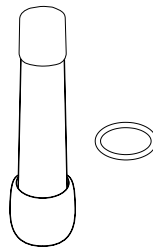
## Αντικατάσταση αισθητήρα

Ο αισθητήρας πρέπει να αντικαθίσταται περίπου κάθε δύο έτη. Επικοινωνήστε με τον μεταπωλητή σας για να προμηθευτείτε έναν καινούριο αισθητήρα.



- Για να διασφαλίσετε τη μέγιστη διάρκεια ζωής του αισθητήρα, διατηρείτε τον όσο το δυνατόν περισσότερο σε υγρές συνθήκες περιβάλλοντος. Εάν βγάλετε τη συσκευή από την πισίνα, πρέπει να τοποθετήσετε το κάλυμμα αποθήκευσης με KCl (κορεσμένο χλωριούχο κάλιο) ή pH4 ή, ως έσχατη λύση, νερό πισίνας.
- Το χαμηλό pH (εντός των σωστών παραμέτρων πισίνας) ενισχύει τη διάρκεια ζωής του αισθητήρα.
- Κατά τη φόρτιση του αισθητήρα, βεβαιωθείτε ότι το προϊόν δεν παραμένει ανοιχτό για μεγάλο χρονικό διάστημα, καθώς η ξηραντική ουσία ενδέχεται να απορροφήσει υγρασία και να απελευθερώσει την υγρασία αυτή στο προϊόν όταν κλείσει

### Κιτ αντικατάστασης αισθητήρα

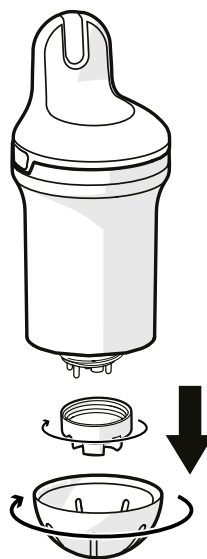


### Εγκατάσταση



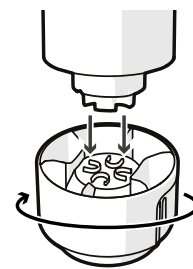
**Συνιστάται να εκτελείτε αυτή τη διαδικασία διατηρώντας το προϊόν σε κατακόρυφη θέση, ώστε να μην εισέρχεται νερό στη συσκευή.**

1. Στην εφαρμογή, επιλέξτε το προϊόν σας, αναζητήστε την ενότητα αντικατάστασης αισθητήρων και ακολουθήστε τα βήματα.
2. Βγάλτε το Blue Connect από το νερό. Σκουπίστε και στεγνώστε τη συσκευή και ξεκινήστε να εκτελείτε τη διαδικασία σε ένα στεγνό, καθαρό μέρος.
3. Αφαιρέστε το καπάκι αισθητήρων και το κάλυμμα αισθητήρων.

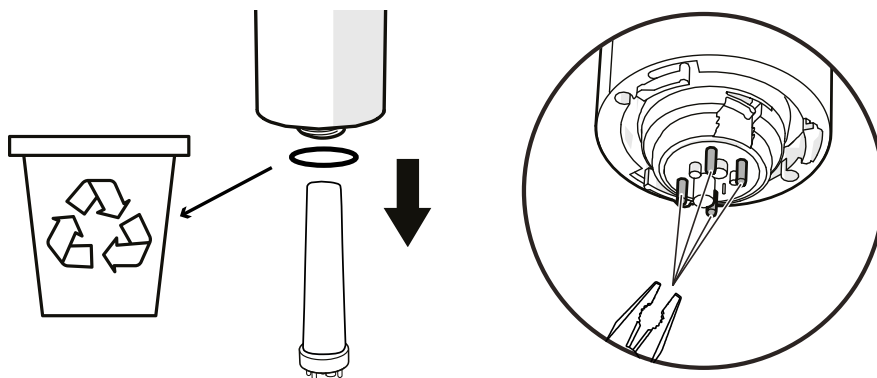




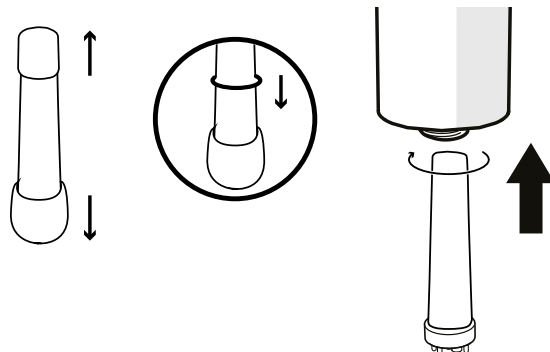
Εάν απαιτείται, μπορείτε να χρησιμοποιήσετε την κάτω πλευρά της βάσης αποθήκευσης για να ξεβιδώσετε το κάλυμμα αισθητήρων.



4. Τραβήξτε απαλά τις τέσσερις πλαστικές άκρες του αισθητήρα. Εάν απαιτείται, μπορείτε να χρησιμοποιήσετε μια πένσα για να αφαιρέσετε τον αισθητήρα (βλ. μεγεθυμένο σχέδιο). Σκουπίστε τυχόν υπολείμματα νερού και διατηρήστε τη συσκευή σε κατακόρυφη θέση. Αφαιρέστε την τσιμούχα και απορρίψτε την (ενδέχεται να έχει κολλήσει μέσα στη συσκευή).

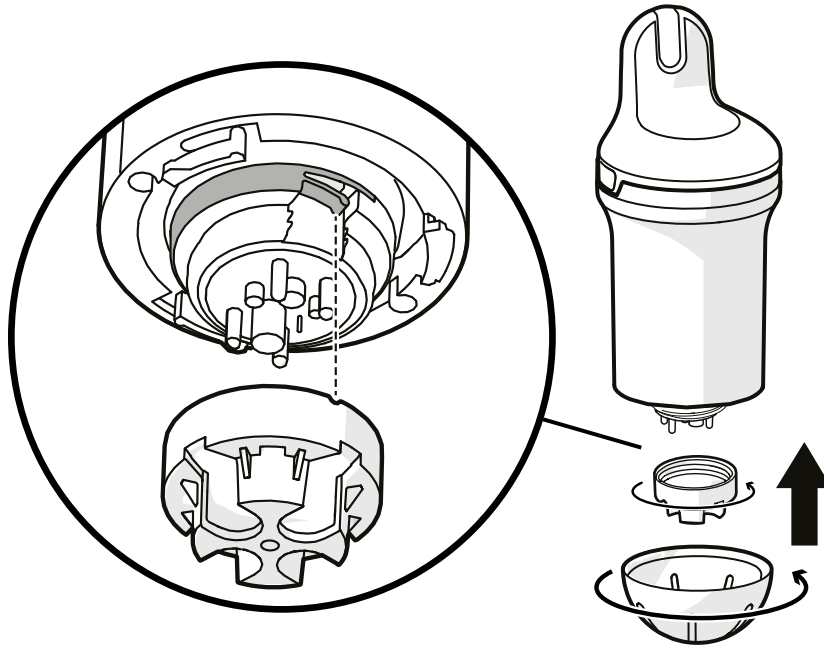


5. Σκανάρετε τον κωδικό QR του νέου αισθητήρα
6. Αφαιρέστε το προστατευτικό κάλυμμα του νέου αισθητήρα. Τοποθετήστε τη νέα τσιμούχα στον νέο αισθητήρα. Εισαγάγετε τον αισθητήρα και περιστρέψτε τον μέχρι να τοποθετηθεί σωστά.

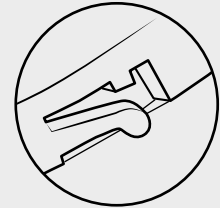


- Προσέξτε να μην ρίξετε τον αισθητήρα, καθώς είναι πολύ εύθραυστος.
- ΜΗΝ χρησιμοποιείτε εργαλεία και μην αγγίζετε τα σημεία ανίχνευσης του αισθητήρα κατά την εγκατάσταση, προκειμένου να αποφύγετε τυχόν βλάβες.
- Αυτά τα βήματα πρέπει να εκτελούνται όσο το δυνατόν ταχύτερα, ώστε να αποφύγετε να έχετε τη συσκευή ανοιχτή για μεγάλο χρονικό διάστημα.

7. Βιδώστε το κάλυμμα αισθητήρων σφιχτά στη συσκευή μέχρι να μπει στη θέση του και να ακουστεί ένα κλικ (βλ. μεγεθυμένο σχέδιο). Μπορείτε να χρησιμοποιήσετε την κάτω πλευρά της βάσης αποθήκευσης για να το σφίξετε. Στη συνέχεια, εγκαταστήστε το καπάκι αισθητήρων και επανατοποθετήστε στο Blue Connect στο νερό.



Πρέπει να βιδώσετε το κάλυμμα αισθητήρων με τέτοιο τρόπο, ώστε το μικρό πτερύγιο να μπει στη θέση του και να ακουστεί ένα κλικ, όπως φαίνεται στο σχέδιο. Σε αντίθετη περίπτωση, το προϊόν ενδέχεται να υποστεί βλάβη.



Ενδέχεται να χρειαστούν μερικές ώρες για τη σταθεροποίηση των παραμέτρων του αισθητήρα μετά την πρώτη εμβύθισή του στην πισίνα

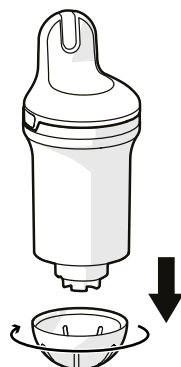
## Προετοιμασία για τη χειμερινή περίοδο

Προκειμένου η συσκευή σας να εξακολουθεί να λειτουργεί καλά, πρέπει να την αποθηκεύετε σωστά για τον χειμώνα θέτοντάς στη λειτουργία χειμώνα. Φροντίστε η συσκευή να είναι πλήρως φορτισμένη πριν ακολουθήσετε την παρακάτω διαδικασία.

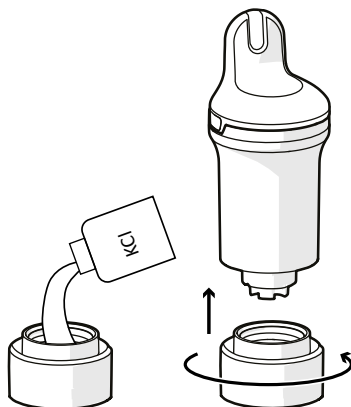
### Χειμερινή λειτουργία

Πρέπει να θέσετε τη συσκευή στη χειμερινή λειτουργία πριν την αποθηκεύσετε για τον χειμώνα. **Η χειμερινή λειτουργία δεν μπορεί να ενεργοποιηθεί όταν η συσκευή είναι στη φόρτιση.**

1. Αφαιρέστε το Blue Connect από το νερό. Αφαιρέστε το καπάκι αισθητήρων.



2. Βεβαιωθείτε ότι το Internet (Wi-Fi ή 4G) και το Bluetooth® στο smartphone σας είναι ενεργοποιημένα. Παραμείνετε κοντά στη συσκευή καθ' όλη τη διάρκεια της διαδικασίας αναμονής.
3. Θέστε τη συσκευή στη χειμερινή λειτουργία- στην εφαρμογή, επιλέξτε το προϊόν σας, αναζητήστε τη χειμερινή λειτουργία και ακολουθήστε τα βήματα.
4. Ξεπλύνετε τη βάση αποθήκευσης με καθαρό νερό και σκουπίστε τη. Τοποθετήστε KCl (κορεσμένο χλωριούχο κάλιο) ή pH4 (ή, ως έσχατη λύση, νερό) στη βάση αποθήκευσης και βιδώστε τη στη συσκευή.



Το KCl που υπάρχει στη βάση αποθήκευσης μπορεί να οδηγήσει στον σχηματισμό συσσωματωμένου άλατος στη σύνδεση με το σώμα της συσκευής, αλλά αυτό δεν είναι σε καμία περίπτωση επικίνδυνο. Απλώς ξεπλύνετε το με καθαρό νερό.

5. Επαληθεύστε τη χειμερινή λειτουργία και αποθηκεύστε το Blue Connect προστατευμένο από τον παγετό.

## Αποθήκευση

Εάν πρέπει να αφαιρέσετε το Blue Connect από την πισίνα για περισσότερο από μία ώρα, τοποθετήστε τη βάση αποθήκευσης με KCl (κορεσμένο χλωριούχο κάλιο), pH4 ή, ως έσχατη λύση, νερό πισίνας, καθώς ο αισθητήρας δεν πρέπει να στεγνώνει.

## Εκ νέου ενεργοποίηση μετά από την προετοιμασία για τη χειμερινή περίοδο

Για να ενεργοποιήσετε εκ νέου το Blue Connect μετά από την προετοιμασία για τη χειμερινή περίοδο, απλώς συνδέστε το καλώδιο φόρτισης της μπαταρίας. Αυτό ενεργοποιεί τη συσκευή.

## 7. ΑΝΤΙΜΕΤΩΠΙΣΗ ΠΡΟΒΛΗΜΑΤΩΝ

ΠΡΟΒΛΗΜΑ	ΛΥΣΗ
Η σύζευξη απέτυχε	Μην συγχέετε γράμματα και αριθμούς (π.χ. B και 8, I και 1 κ.λπ.) στον κωδικό πρόσβασης.
Οι μετρήσεις δεν είναι σωστές.	<ul style="list-style-type: none"> <li>• Ελέγξτε τη βαθμονόμηση του αισθητήρα.</li> <li>• Οι φυσαλίδες αέρα μπορεί να προκαλέσουν ανακριβείς μετρήσεις. Κουνήστε τη συσκευή αργά για να προσπαθήσετε να αφαιρέσετε τις φυσαλίδες.</li> </ul>
Ακανόνιστες μετρήσεις (pH και ORP)	Αυτό μπορεί να οφείλεται στην ύπαρξη φυσαλίδων επάνω στον αισθητήρα. Κουνήστε τη συσκευή κάτω από το νερό για να απομακρύνετε τις φυσαλίδες και πραγματοποιήστε νέα μέτρηση.

ΠΡΟΒΛΗΜΑ	ΛΥΣΗ
Γυρίζετε τη συσκευή ανάποδα για να ελέγξετε την κατάσταση της και δεν συμβαίνει τίποτα	<ul style="list-style-type: none"> <li>• Γυρίστε τη συσκευή αργά, βεβαιωθείτε ότι την κρατάτε ανάποδα για τουλάχιστον 1 δευτερόλεπτο.</li> <li>• Συνδέστε τη στη φόρτιση.</li> </ul> <p>Εάν η ένδειξη LED εξακολουθεί να μην ανάβει, επικοινωνήστε με το κατάστημα λιανικής σας.</p>
Η συσκευή δεν φορτίζει (δεν υπάρχει μπλε ένδειξη LED)	<ul style="list-style-type: none"> <li>• Ελέγξτε τον φορτιστή σας</li> <li>• Ελέγξτε το καλώδιο USB-C σας</li> </ul> <p>Εάν η συσκευή εξακολουθεί να μη φορτίζει, επικοινωνήστε με το κατάστημα λιανικής σας.</p>
Όταν θέλετε να συνδέσετε τη συσκευή σας μέσω Bluetooth, η συσκευή σας δεν ανιχνεύεται και δεν εμφανίζεται στη λίστα συσκευών.	<ul style="list-style-type: none"> <li>• Ελέγξτε εάν το Bluetooth® στο smartphone σας είναι ενεργοποιημένο</li> <li>• Ελέγξτε εάν η συσκευή είναι συνδεδεμένη σε άλλο smartphone</li> <li>• Φορτίστε τη συσκευή</li> </ul> <p>Εάν η συσκευή εξακολουθεί να μη φορτίζει, επικοινωνήστε με το κατάστημα λιανικής σας.</p>
Δεν βλέπετε το χρώμα κατάστασης νερού όταν γυρίζετε το προϊόν σας.	<ul style="list-style-type: none"> <li>• Ελέγξτε το σε ένα σκοτεινότερο μέρος ή κάνοντας σκιά με το χέρι σας</li> <li>• Φορτίστε τη συσκευή</li> </ul>
Πρέπει να φορτίζετε συχνά τη συσκευή	<ul style="list-style-type: none"> <li>• Ελέγξτε την ποιότητα του σήματος Wi-Fi</li> <li>• Δοκιμάστε να αφήσετε τη συσκευή σε διαφορετικό σημείο στην πισίνα</li> <li>• Εγκαταστήστε ένα repeater Wi-Fi κοντά στην πισίνα σας</li> </ul>
Τα δεδομένα που αναφέρονται είναι εντελώς εκτός εύρους	Ελέγξτε εάν ο αισθητήρας είναι στη θέση του, εάν το παξιμάδι είναι σφιχτά βιδωμένο και εάν υπάρχει ένδειξη βιδώματος.
Εμφανίζεται συμπύκνωση στην περιοχή LED	Αυτό είναι φυσιολογικό και δεν επηρεάζει τη λειτουργία του προϊόντος. Η συμπύκνωση θα εξαφανιστεί μετά από σωστή αποθήκευση για περισσότερες από 6 ημέρες.
Το προϊόν δεν συνδέεται στο Wi-Fi	Μετακινήστε το προϊόν πιο κοντά στο δρομολογητή Wi-Fi.
Δεν υπάρχει μέτρηση κατά την πρώτη εγκατάσταση ή μετά την προετοιμασία για τη χειμερινή περίοδο	Ο αισθητήρας είναι υπερβολικά στεγνός. Αφήστε τον αισθητήρα στο νερό για 24 ώρες, στη συνέχεια πραγματοποιήστε βαθμονόμηση και ελέγξτε αν λειτουργεί σωστά.

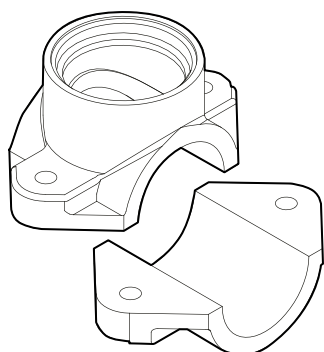
## 8. ΕΠΙΣΚΟΠΗΣΗ BLUE FIT50

Το Blue Fit50 είναι ένας σφιγκτήρας σωλήνα που είναι συμβατός με το Blue Connect. Σας επιτρέπει να εγκαθιστάτε το Blue Connect στη σωλήνωση του μηχανοστασίου.



Το Blue Fit50 είναι αξεσουάρ του Blue Connect. Πωλείται χωριστά.

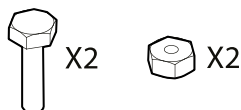
## 9. ΠΕΡΙΓΡΑΦΗ BLUE FIT50



Ένας σφιγκτήρας σωλήνα



Ένα βιδωτό κάλυμμα



Δύο βίδες και παξιμάδια

### Προφυλάξεις χρήσης

- Μην αφήνετε το Blue Connect συνδεδεμένο στο Blue Fit50 όταν δεν υπάρχει νερό στους σωλήνες.
- Στην περίπτωση χειρισμού σε σύνδεση με το υδραυλικό κύκλωμα (κίνδυνος υδραυλικού πλήγματος), συνιστάται να αφαιρείτε το Blue Connect για την αποφυγή βλάβης στο προϊόν.
- Βεβαιωθείτε ότι υπάρχει επαρκής ροή στην εγκατάστασή σας, ώστε το Blue Connect να μπορεί να λαμβάνει μετρήσεις.
- Τοποθετείτε πάντα το Blue Connect σε κατακόρυφη θέση με τον αισθητήρα προς τα κάτω.
- Μη φορτίζετε το Blue Connect όταν είναι τοποθετημένο στο Blue Fit50. Αφαιρέστε το πριν από τη φόρτιση.
- Μην φορτίζετε τη συσκευή συνεχώς. Οι μετρούμενες τιμές ενδέχεται να είναι ανακριβείς κατά τη φόρτιση.

## 10. ΕΓΚΑΤΑΣΤΑΣΗ BLUE FIT50

Βεβαιωθείτε ότι τοποθετείτε πάντα το Blue Fit50 μετά το φίλτρο (για την αποφυγή βλάβης στους αισθητήρες) και πριν το σύστημα έγχυσης ή την ηλεκτρόλυση του προϊόντος σας (για την αποφυγή αλλοίωσης των μετρήσεων που λαμβάνει το Blue Connect).

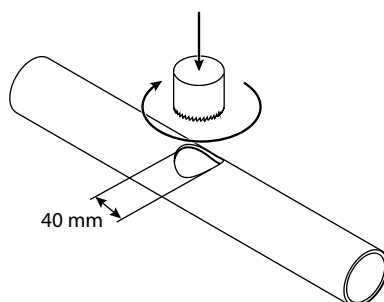
Η μέγιστη επιτρεπόμενη πίεση νερού για εγκατάσταση στον σωλήνα είναι 300 kPa.

Εάν απαιτείται, ρωτήστε τον ειδικό πωσίνας σας για συμβουλές σε περίπτωση αμφιβολιών.

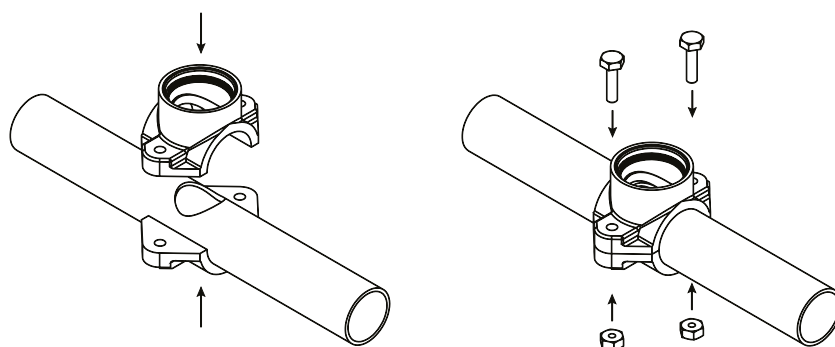
1. Απενεργοποιήστε το σύστημα φιλτραρίσματος.
2. Με ένα ποτηροπρίονο διαμέτρου 40mm, ανοίξτε μια τρύπα στην επάνω πλευρά του σωλήνα.



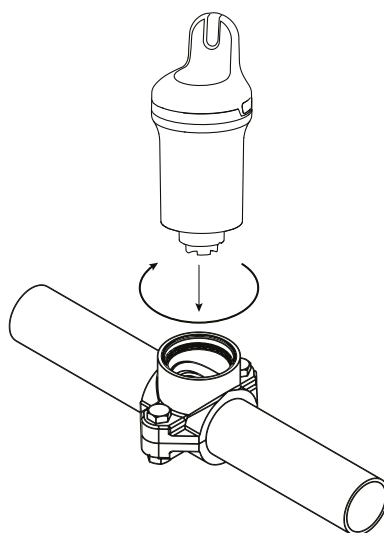
Το Blue Connect πρέπει να είναι σε κατακόρυφη θέση, με τον αισθητήρα προς τα κάτω.



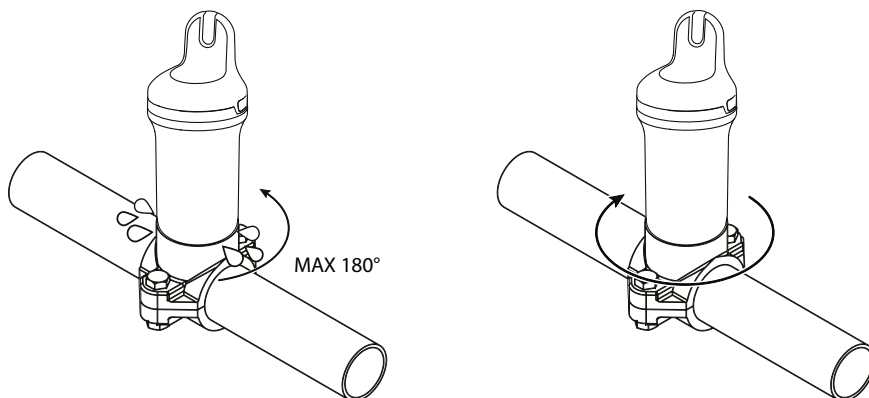
3. Τοποθετήστε και τα δύο τμήματα του σφιγκτήρα σωλήνα σε κάθε πλευρά του σωλήνα, ώστε οι τρύπες να ευθυγραμμίζονται, και βιδώστε τον σφιγκτήρα σωλήνα.



4. Βιδώστε το Blue Connect στον σφιγκτήρα σωλήνα. Το επάνω χείλος του Blue Connect πρέπει να είναι παράλληλο με τον σωλήνα.



5. Ενεργοποιήστε το σύστημα φιλτραρίσματος.
6. Ξεβιδώστε ελαφρώς και αργά το Blue Connect (κατά μέγιστο ½ περιστροφή) για να απομακρύνετε τυχόν αέρα. Μόλις αρχίσει να βγαίνει νερό, σημαίνει ότι δεν υπάρχει άλλος αέρας στους σωλήνες και μπορείτε, έπειτα, να ξαναβιδώσετε καλά το Blue Connect.

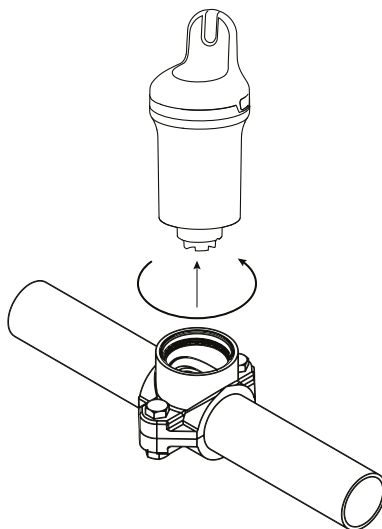


7. Στην εφαρμογή, επιλέξτε το προϊόν, αναζητήστε την επιλογή ενεργοποίησης Blue Fit50 και ακολουθήστε τις οδηγίες.

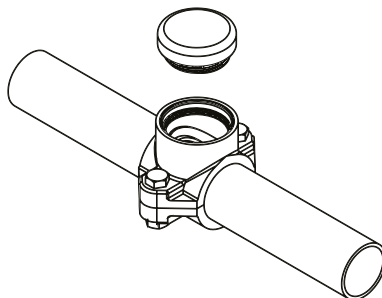
## 11. ΠΡΟΕΤΟΙΜΑΣΙΑ BLUE FIT50 ΓΙΑ ΤΗ ΧΕΙΜΕΡΙΝΗ ΠΕΡΙΟΔΟ

Ακολουθήστε αυτή τη διαδικασία όταν προετοιμάζετε να αποθηκεύσετε το Blue Connect για τον χειμώνα.

1. Απενεργοποιήστε την αντλία φίλτρανης, κλείστε τις βαλβίδες και ξεβιδώστε το Blue Connect.



2. Καλύψτε τον σφιγκτήρα σωλήνων με το κάλυμμα που παρέχεται στο κουτί του Blue Fit50.



3. Ακολουθήστε τη διαδικασία προετοιμασίας του Blue Connect για τη χειμερινή περίοδο (βλ. [Προετοιμασία για τη χειμερινή περίοδο, σελίδα 252](#)).

## САДРЖАЈ

1. BLUE CONNECT – УВОД .....	259
Преглед .....	259
2. ОПИС .....	260
3. ИНСТАЛАЦИЈА АПЛИКАЦИЈЕ .....	261
Преузмите апликацију .....	261
4. BLUE CONNECT – ИНСТАЛАЦИЈА .....	261
Пуњење .....	261
Упаривање са апликацијом .....	262
Инсталирање .....	263
5. ЛЕД СТАТУСА .....	264
6. ОДРЖАВАЊЕ .....	265
Калибрација pH сонде .....	265
Калибрација ORP сонде .....	266
Замена сонде .....	267
Винтеризација .....	269
7. РЕШАВАЊЕ ПРОБЛЕМА .....	271
8. BLUE FIT50 – УВОД .....	272
9. BLUE FIT50 – ОПИС .....	272
Мере предострожности за употребу .....	272
10. BLUE FIT50 – ИНСТАЛАЦИЈА .....	273
11. BLUE FIT50 – ВИНТЕРИЗАЦИЈА .....	274



**Рециклажа** Овај симбол је обавезан према европској директиви WEEE 2012/19/EU (Директива о отпадној електричној и електронској опреми) и значи да се ваш уређај не сме бацати у уобичајену канту за отпатке. Биће селективно прикупљан у сврху поновне употребе, рециклирања или трансформације. Ако садржи супстанце које могу бити штетне по животну средину, оне ће бити елиминисане или неутрализоване. Обратите се свом продавцу за информације о рециклирању.



- Пре употребе уређаја, важно је да прочитате безбедносна упозорења и гарантну књижицу испоручену уз производ. Ако то не учините, то може довести до озбиљних или смртоносних повреда, материјалне штете и поништиће гаранцију.
- Сачувајте и проследите ове документе за касније гледање током радног века уређаја.
- Дистрибуција или модификација овог документа на било који начин је забрањена без претходног одобрења произвођача.
- Произвођач стално развија своје производе како би побољшао квалитет. Произвођач задржава право да у потпуности или делимично промени карактеристике производа или садржај овог документа без претходног упозорења.

## 1. BLUE CONNECT – УВОД

---

Blue Connect континуирано мери кључне параметре вашег базена (температура, pH, хлор, проводљивост). Такође вас обавештава о спољној температури и времену на основу ваше геолокације. Резултати ове анализе вам се затим саопштавају путем обавештења у апликацији Fluidra Pool (доступна на паметном телефону и таблету, компатибилна са Android™ и iOS системима). Ако уређај открије да је један од параметара нетачан, добићете упозорење и информације о корективним радњама које треба предузети да бисте регулисали и стабилизовали овај параметар како бисте одржали здрав и уравнотежен квалитет воде.

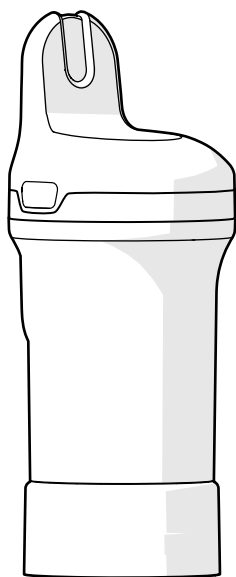
### Преглед

Blue Connect мерења:

- **Температура воде** (°C): Мери температуру воде. Повишена температура смањује ефикасност хлора и подстиче развој микроорганизама.
- **pH** (потенцијал водоника): Мери кисели или базични карактер воде. pH доприноси ефикасности дезинфекционог средства.
- **ORP/REDOX** (оксидационо-редукциони потенцијал/редокс потенцијал): ORP или REDOX мери оксидациону моћ воде у мВ. Пружа информације о дезинфекционој моћи воде.
- **Проводљивост** (µS): Мери концентрацију неорганских соли у води способношћу ове друге да проводи електричну енергију (у зависности од модела).
- **Салинитет** (g/l): Мери концентрацију соли растворене у води (у зависности од модела).

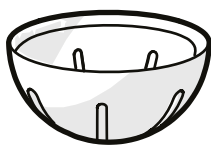
## 2. ОПИС

---



**Blue Connect** – Испоручује се са ногом за одлагање ради заштите сонде током транспорта. Сонда је уроњена у КЦИ (засићени калијум хлорид), што обезбеђује њену заштиту.

**Нога за складиштење** – Користи се за транспорт сонде из воде или за држање сензора уроњенима током дужег складиштења (на пример приликом пуњења или зими).

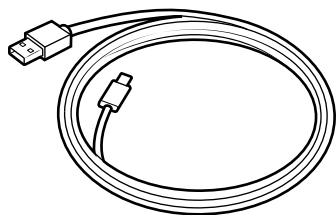


**Поклопац сензора** – Увек се мора монтирати на уређај пре него што га ставите у воду. Штити сензоре од било каквог оштећења.



**Кабл** – Користи се за причвршћивање уређаја на тачку причвршћивања (опционо).

Можда ћете морати да користите мали пар клешта да бисте га убацили у отвор на бочној страни производа.

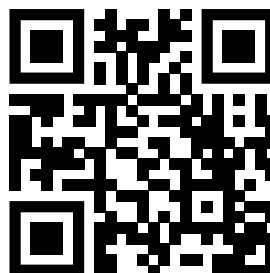


**USB-C кабл** – Користи се за пуњење

### 3. ИНСТАЛАЦИЈА АПЛИКАЦИЈЕ

#### Преузмите апликацију

Преузмите апликацију Fluidra Pool и пратите упутства да бисте креирали налог и подесили свој базен.



### 4. BLUE CONNECT – ИНСТАЛАЦИЈА

Следећи кораци су потребни да би се Blue Connect апликација покренула:

- Напуните уређај
- Упарите уређај са Fluidra Pool апликацијом
- Поставите поклопац сензора и ставите га у базен

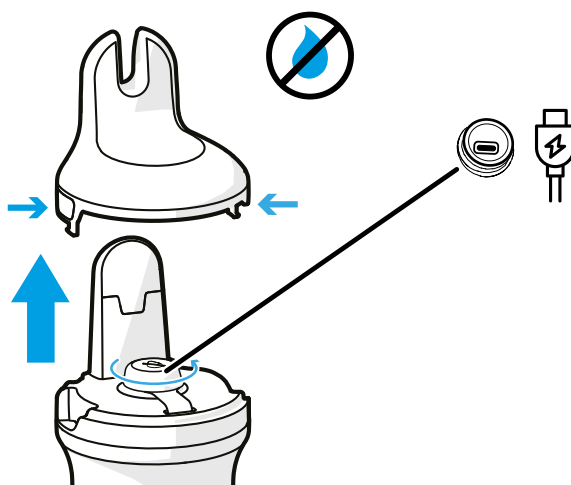
#### Пуњење



- Морате потпуно напунити уређај пре употребе. Увек га пуните у усправном вертикалном положају користећи стопицу за складиштење напуњену KCL раствором или водом.
- Током пуњења, измерене вредности (pH, ORP) могу бити нетачне. Не узимајте ове вредности у обзир приликом пуњења.

Да бисте напунили Blue Connect:

1. **Темељито осушите Blue Connect**, а затим уклоните горњи поклопац притиском са сваке стране и повуците нагоре.
2. Одвртите поклопац прикључка за пуњење и повежите USB-C кабл на уређај и на напајање да бисте напунили.



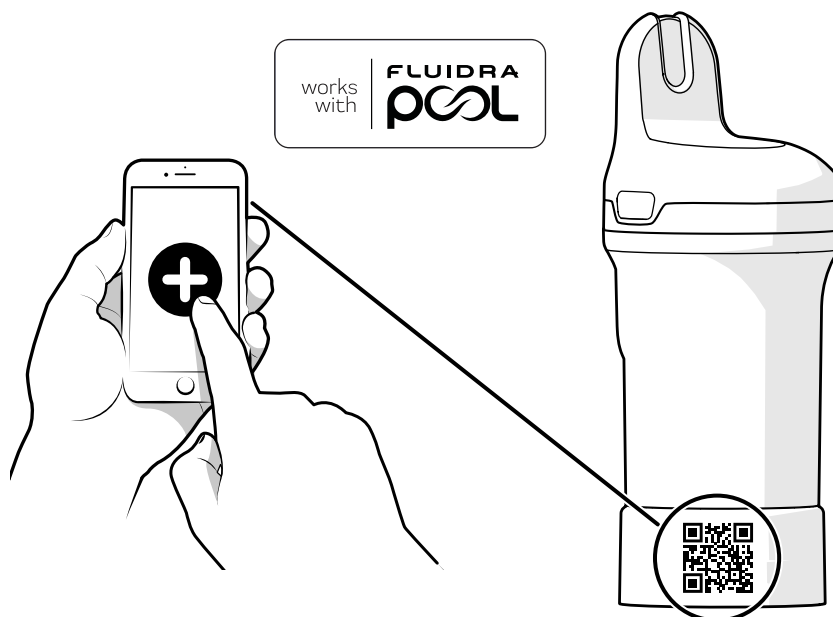


Порт за пуњење мора бити сув пре пуњења. Руковати сувим рукама на сувом месту.

3. Након пуњења, **чврсто затворите прикључак за пуњење** и вратите горњи део на Blue Connect

## Упаривање са апликацијом

Отворите Fluidra Pool апликацију и кликните на **Додај опрему** да бисте упарили Blue Connect. QR код који се користи за упаривање налази се на стопици за складиштење и испод горњег поклопца који се уклања ради пуњења.

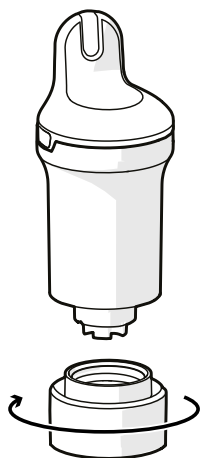


Када се повежете са апликацијом, бићете обавештени у апликацији ако су доступна ажурирања фирмвера. Пратите упутства у апликацији да бисте ажурирали свој производ.

## Инсталирање

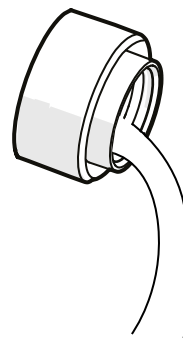
Пре употребе, морате уклонити стопицу за складиштење и поставити поклопац сензора.

1. Поставите Blue Connect усправно и одвртите стопицу за складиштење.

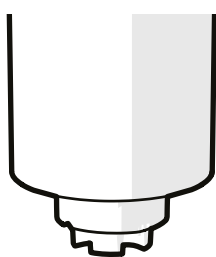


2. Испразните ножицу за складиштење и исперите у чистој води. Оставите на страну.

**НАПОМЕНА:** Држите ножицу за складиштење на безбедном месту за каснију употребу.



3. Исперите сонду чистом водом.

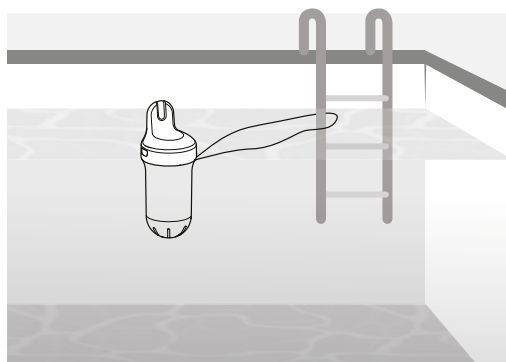


4. Завртите поклопац сензора да бисте заштитили сонде.



5. Ставите Blue Connect у базен и оставите га да плута у води. Ако је потребно, можете га причврстити тако што ћете га причвршћивања помоћу кабла.

Уверите се да је уређај у вертикалном положају и да је врх ван воде да бисте омогућили исправну комуникацију.

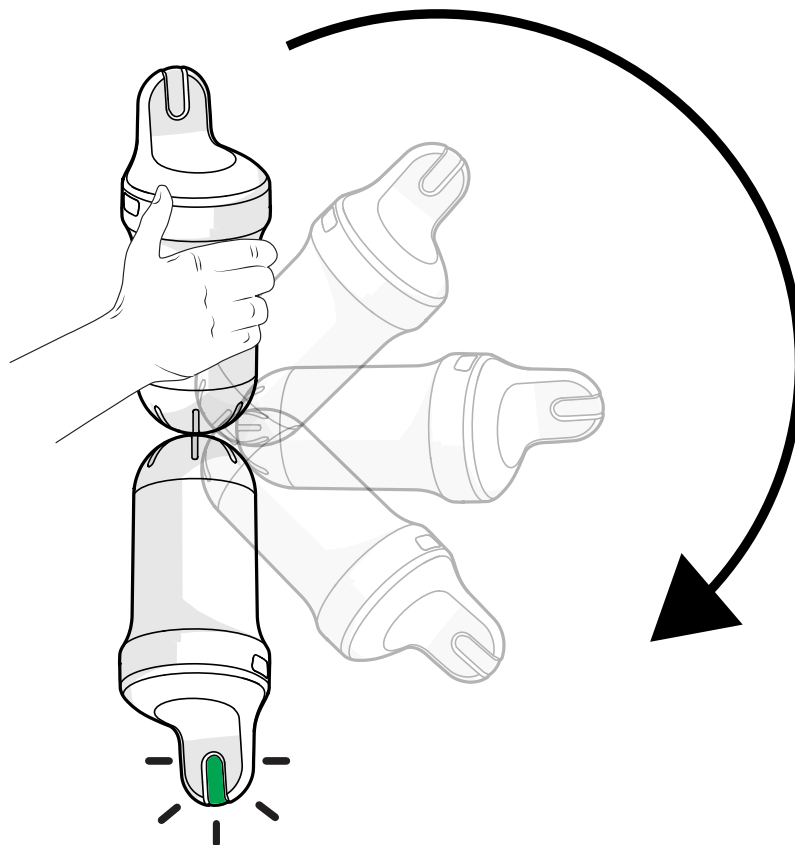


**За базене са поклопцем за базен, не препоручује се коришћење кабла за причвршћивање Blue Connect јединицу када затварате поклопац базена. Ако је прикључен, уређај може бити уроњен у воду и изгубити везу.**

## 5. ЛЕД СТАТУСА

ЛЕД индикатор на производу пружа информације о квалитету воде, статусу батерије и пуњењу.

Ако желите да проверите статус воде/батерије директно на уређају (уместо да гледате у апликацију), извадите га из воде и окрените наопачке као што је приказано. Морате га држати најмање 1 секунду у положају наопако. Blue Connect емитује звучни сигнал и ЛЕД светли (видети табелу статуса ЛЕД диода испод).



СТАЊЕ	ЛЕД СТАТУСА / ЗВУЧНИ СИГНАЛ	ОПИС
Пуњење	Споро трепћуће плаво / 1 звучни сигнал	Пуњење
	Чврсто плава	Напуњено (пуно)
Није активирано	Не светли	Уређај није активиран
Брза провера статуса (видети објашњење у наставку)	3 црвена трептаја / 3 звучна сигнала	Батерија је празна
	Стално зелено 5 s / 1 звучни сигнал	Вода исправна
	Чврста наранџаста 5 s / 1 звучни сигнал	Вода није у реду (квалитет воде треба проверити и исправити. За више информација погледајте апликацију Fluidra Pool.)
	Чврсто бело 5 s / 1 звучни сигнал	Нема статуса воде, уређај укључен
Ажурирање фирмвера	Брзо трепћуће плаво / 1 звучни сигнал	

## 6. ОДРЖАВАЊЕ

Све процедуре одржавања морају се обавити помоћу Fluidra Pool апликације.

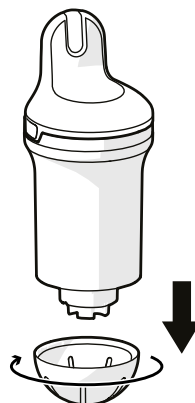


- Производи за калибрацију су само за једнократну употребу. Никада их не користите двапут. Контактирајте свог препродавца да набавите нови.
- Калибрација се не сме вршити током пуњења уређаја.

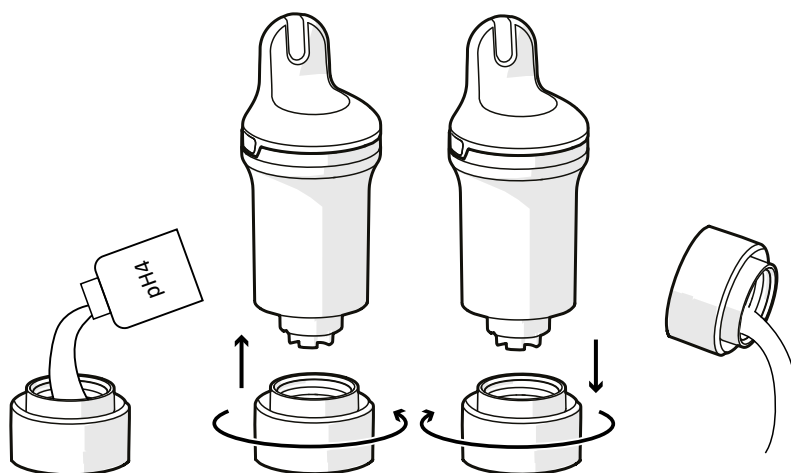
### Калибрација рН сонде

Калибрацију рН сонде треба извршити једном у сезони. Неопходан је комплет за калибрацију – контактирајте локалног продавца за више информација. Није неопходно за прву инсталацију.

1. Извадите уређај из воде, уклоните поклопац сензора и исперите сонду чистом водом.



2. Исперите ногу за складиштење чистом водом и обришите је сувом.
3. Уверите се да је Bluetooth® активиран на вашем паметном телефону. Останите близу свог уређаја током целог процеса калибрације.
4. У апликацији изаберите производ, потражите одељак за калибрацију сонде и пратите вођене кораке.
5. Ставите рН4 раствор у стопицу за складиштење и причврстите га на уређај. Пратите упутства у апликацији.
6. Када је мерење рН4 завршено, одвртите стопицу за складиштење и исперите сонду. Испразните, исперите чистом водом и обришите стопало.



7. Поновите корак 5 користећи рН7 раствор.



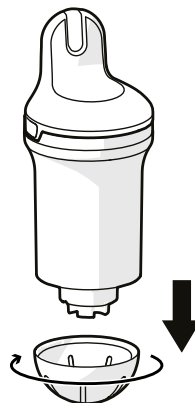
Увек чистите сонду и стопицу за складиштење чистом водом након употребе производа за калибрацију да бисте избегли мешање.

8. Потврдите калибрацију.
9. Поставите поклопац сензора на Blue Connect и вратите га у базен.

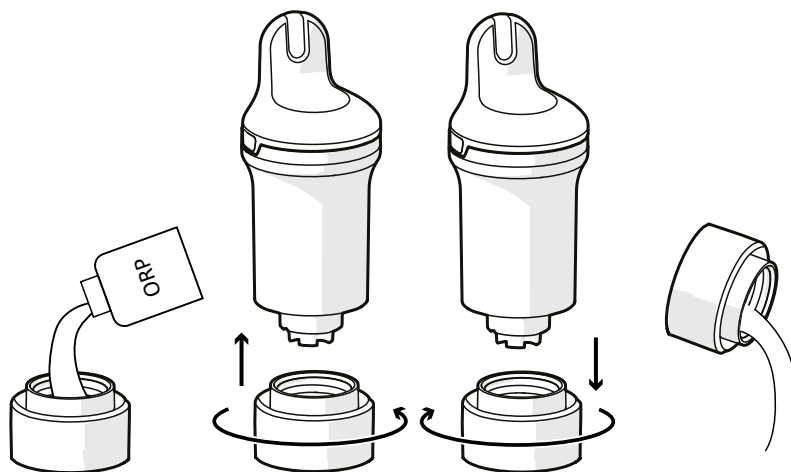
## Калибрација ORP сонде

Калибрацију ORP сонде треба извршити једном у сезони. Неопходан је комплет за калибрацију – контактирајте локалног продавца за више информација. Није неопходно за прву инсталацију.

1. Извадите уређај из воде, уклоните поклопац сензора и исперите сонду чистом водом.



2. Исперите ногу за складиштење чистом водом и обришите је сувом.
3. Уверите се да је Bluetooth® активиран на вашем паметном телефону. Останите близу свог уређаја током целог процеса калибрације.
4. У апликацији изаберите производ, потражите одељак за калибрацију сонде и следите вођене кораке.
5. Поставите ORP раствор у постоље за складиштење и причврстите га на уређај. Пратите упутства у апликацији
6. Када је мерење ORP завршено, одвртите стопицу за складиштење и исперите сонду. Испразните, исперите чистом водом и обришите стопало.



- Увек чистите сонду и стопицу за складиштење чистом водом након употребе производа за калибрацију да бисте избегли мешање.
- Након ORP-а/редокс калибрације, може бити потребно неко време да се добију тачна мерења. Сачекајте најмање 6 сати пре него што извршите мерење у базену.

7. Потврдите калибрацију.
8. Поставите поклопац сензора на Blue Connect и вратите га у базен.

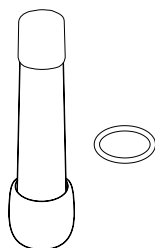
## Замена сонде

Сонду је потребно заменити отприлике сваке две године. Контактирајте свог продавца да бисте добили нову сонду.



- Да бисте обезбедили максималну дуговечност сонде, држите је што је дуже могуће у влажном окружењу. Ако извадите уређај из воде, морате уградити подножје за складиштење са KCl (засићеним калијум хлоридом), рН4 или, у крајњем случају, водом из базена.
- Низак рН (у оквиру исправних параметара базена) повећава дуговечност сонде.
- Када мењате сонду, уверите се да производ не остане отворен предуго, јер средство за сушење може да апсорбује влагу, а затим ослободите ову влажност у производ када се затвори

### Комплет за замену сонде

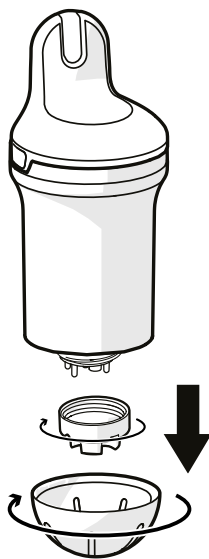


### Инсталација



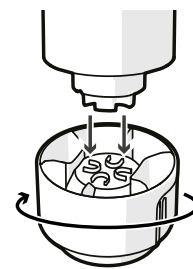
**Веома је препоручљиво да ову процедуру извршите држећи производ у усправном положају тако да вода не уђе у уређај.**

1. У апликацији изаберите свој производ, потражите одељак за замену сонде и следите вођене кораке.
2. Извадите Blue Connect из воде. Обришите уређај сувим и започните процедуру на сувом, чистом месту.
3. Скините поклопац сензора и поклопац сонде.

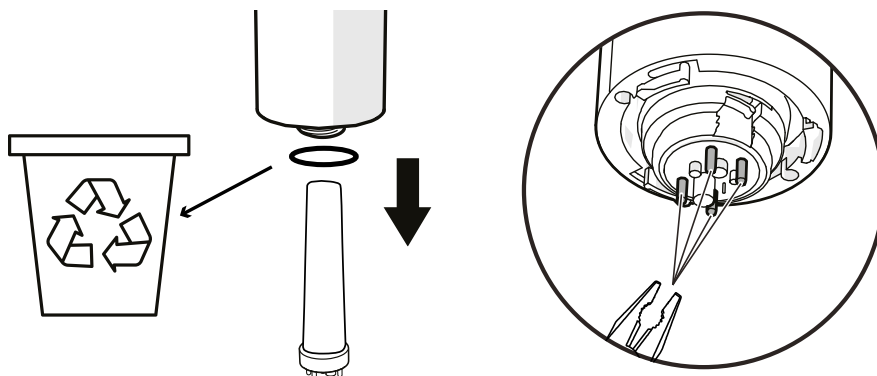




Ако је потребно, можете користити доњу страну ножице за складиштење да одвртите поклопац сонде.

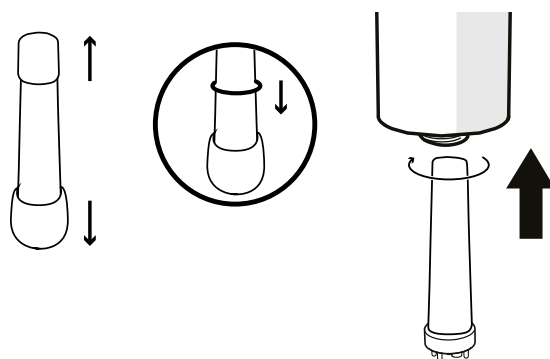


4. Нежно повуците четири пластична врха сонде. Ако је потребно, можете лагано користити клешта да уклоните сонду (видети зум). Обришите остатке воде и држите уређај усправно. Обавезно уклоните печат и баците га (можда је заглављен унутра).



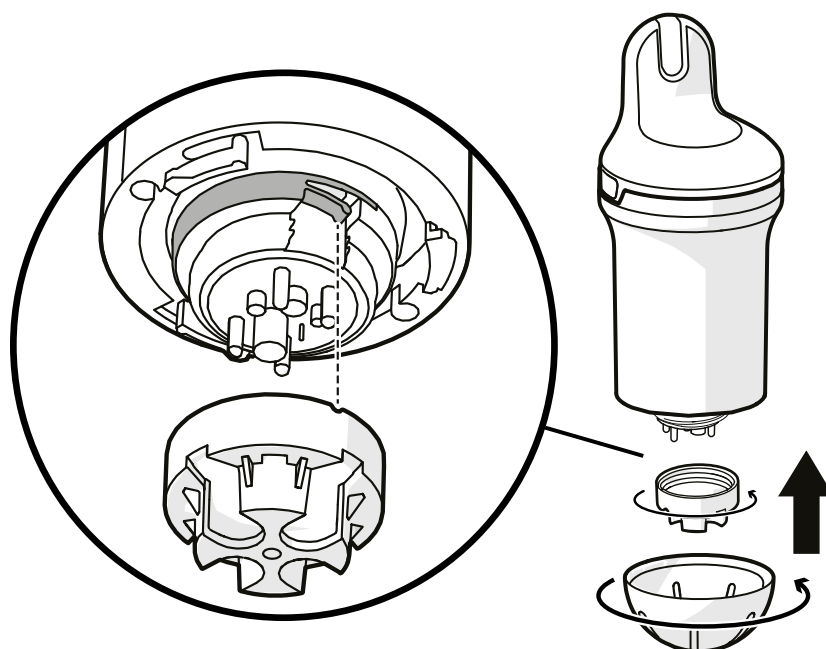
5. Скенирајте QR код нове сонде

6. Скините заштитни поклопац са нове сонде. Поставите нову заптивку на нову сонду. Уметните сонду и окрените је док не буде правилно постављена.

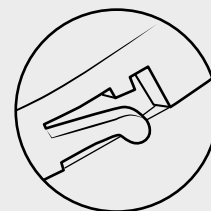


- Пазите да не испустите сонду јер је веома крхка.
- НЕМОЈТЕ користити никакве алате и НЕМОЈТЕ додиривати сензорне области сонде приликом постављања како бисте је избегли да је оштетите.
- Ове кораке треба спровести што је пре могуће како би се избегло да уређај буде отворен предуго.

7. Чврсто зашрафите поклопац сонде на уређај док не кликне на своје место (видети зум). Можете користити доњу страну стопице за складиштење да је затегнете. Затим поставите поклопац сензора и вратите Blue Connect у воду.



**Поклопац сонде мора бити причвршћен тако да мали језичак кликне на своје место као што је приказано. Ако није, производ се може оштетити.**



Сензору може бити потребно неколико сати да стабилизује своје параметре након првог потапања у базен

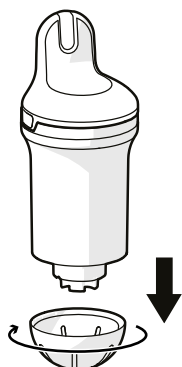
## Винтеризација

Да бисте одржали свој уређај у добром радном стању, морате га правилно ускладиштити за зиму тако што ћете га ставити у зимски режим. Уверите се да је потпуно напуњен пре него што следите процедуру у наставку.

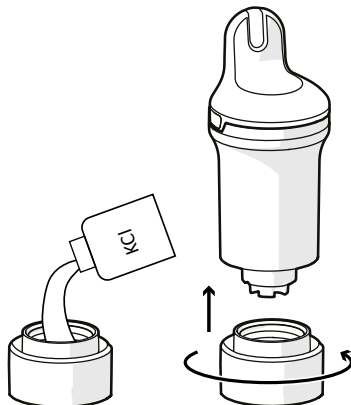
### Зимски режим

Морате ставити уређај у зимски режим пре него што га одложите за зиму. **Зимски режим се не може активирати ако се уређај пуни.**

1. Уклоните Blue Connect из воде. Скините поклопац сензора.



2. Уверите се да су Интернет (Wi-Fi или 4G) и Bluetooth® омогућени на вашем паметном телефону. Останите близу уређаја током читавог процеса приправности.
3. Ставите уређај у зимски режим – у апликацији изаберите свој производ, потражите зимски режим и пратите упутства.
4. Исперите ногу за складиштење чистом водом и обришите је. Ставите KCl (засићени калијум хлорид) или рН4 (или као последње решење, воду) у стопицу за складиштење и зашрафите је.



KCl присутан у подножју за складиштење може изазвати стварање агломерисане соли на споју са телом уређаја, али то ни у ком случају није опасно. Једноставно исперите чистом водом.

5. Потврдите зимски режим и чувајте Blue Connect заштићено од мраза.

### Складиштење

Ако треба да извадите Blue Connect из базена дуже од сат времена, поставите подножје за складиштење са KCl (засићеним калијум хлоридом), рН4, или као последње решење, воду из базена јер сонда не би требало да буде сува.

### Поново активирање након винтеризације

Да бисте поново активирали Blue Connect након винтеризације, једноставно га прикључите да бисте напунили батерију. Ово буди уређај.

## 7. РЕШАВАЊЕ ПРОБЛЕМА

ПРОБЛЕМ	РЕШЕЊЕ
Упаривање није успело	Не мешајте слова и бројеве (нпр. В и 8, I и 1, итд.) у приступном коду.
Мере нису тачне.	<ul style="list-style-type: none"> <li>Проверите калибрацију сензора.</li> <li>Ваздушни мехур може да искриви мерења. Полако померајте уређај да бисте покушали да уклоните мехуриће.</li> </ul>
Чудна мерења (pH и ORP)	Узрок могу бити мехурићи на сонди. Протресите уређај под водом да бисте се ослободили мехурића и поново измерите.
Окрените уређај наопако да бисте проверили статус и ништа се не дешава	<ul style="list-style-type: none"> <li>Полако окрените уређај, обавезно га држите наопако најмање 1 секунду.</li> <li>Укључите га да бисте га напунили.</li> </ul> <p>Ако ЛЕД и даље не светли, обратите се свом продавцу.</p>
Уређај се не пуни (нема плаве ЛЕД лампице)	<ul style="list-style-type: none"> <li>Проверите свој пуњач</li> <li>Проверите свој USB-C кабл</li> </ul> <p>Ако се уређај и даље не пуни, обратите се свом продавцу.</p>
Када желите да повежете свој уређај преко Bluetooth везе, ваш уређај се не открива и не појављује се на листи уређаја.	<ul style="list-style-type: none"> <li>Проверите да ли је Bluetooth активан на вашем паметном телефону</li> <li>Проверите да ли уређај већ није повезан са другим паметним телефоном</li> <li>Напуните уређај</li> </ul> <p>Ако се уређај и даље не пуни, обратите се свом продавцу.</p>
Не видите боју статуса воде након што окренете производ.	<ul style="list-style-type: none"> <li>Проверите у тамнијем делу или тако што ћете направити сенку руком</li> <li>Напуните уређај</li> </ul>
Морате често да пуните уређај	<ul style="list-style-type: none"> <li>Проверите квалитет Wi-Fi сигнала</li> <li>Покушајте да оставите уређај на другом месту у базену</li> <li>Инсталирајте Wi-Fi репетитор близу вашег базена</li> </ul>
Пријављени подаци су потпуно ван опсега	Проверите да ли је сонда присутна, да ли је навртка чврсто зашрафљена и да ли је сведок завртања на месту.
Кондензација се појављује у ЛЕД области	Ово је нормално и не утиче на функционалност производа. Кондензација ће нестати након правилног складиштења производа дуже од 6 дана.
Производ се не повезује на Wi-Fi	Померите производ ближе Wi-Fi рутеру.
Нема мерења код прве инсталације или након презимљавања	Сензор је пресув. Оставите сензор у води 24 часа, а затим калибрирајте и проверите да ли сензор исправно функционише.

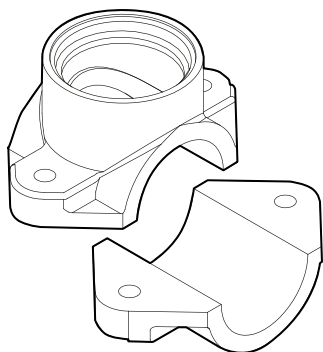
## 8. BLUE FIT50 – УВОД

Blue Fit50 је обујмица за црево компатибилна са Blue Connect. Омогућава вам да инсталирате Blue Connect на цевовод у техничкој просторији.



Blue Fit50 је Blue Connect додаток. Продаје се засебно.

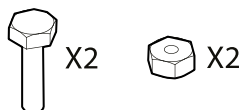
## 9. BLUE FIT50 – ОПИС



Једна обујмица за црево



Једна капа са навојем



Два завртња и вијка

### Мере предострожности за употребу

- Не остављајте Blue Connect на Blue Fit50 када нема воде у цевима.
- У случају руковања на хидрауличном кругу (опасност од воденог удара), препоручљиво је уклонити Blue Connect како не бисте оштетили производ.
- Побрините се да створите довољан проток у вашој инсталацији како би Blue Connect могао да предузме мере.
- Увек постављајте Blue Connect вертикално са сондом надоле.
- Не пуните Blue Connect када је инсталиран на Blue Fit50. Уклоните га пре пуњења.
- Не пуните уређај континуирано. Измерене вредности могу бити нетачне током пуњења.

## 10. BLUE FIT50 – ИНСТАЛАЦИЈА

Уверите се да увек поставите Blue Fit50 после филтера (да бисте избегли оштећење сонди) и пре вашег система за убризгавање производа или електролизе (да бисте избегли промену мера које предузима Blue Connect).

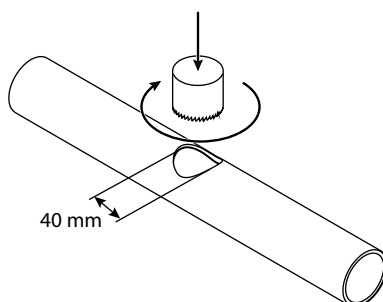
Максимални дозвољени притисак воде за уградњу у цев је 300 kPa.

Ако је потребно, питајте свог стручњака за базен за савет у случају било какве сумње.

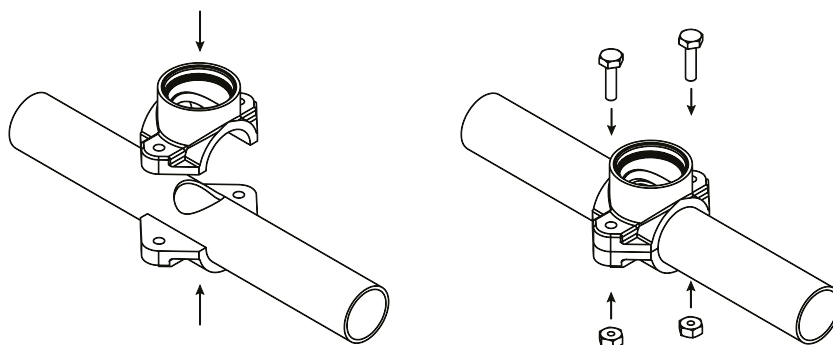
1. Искључите систем за филтрирање.
2. Са тестером за рупе пречника 40 mm, избушите рупу у горњем делу цеви.



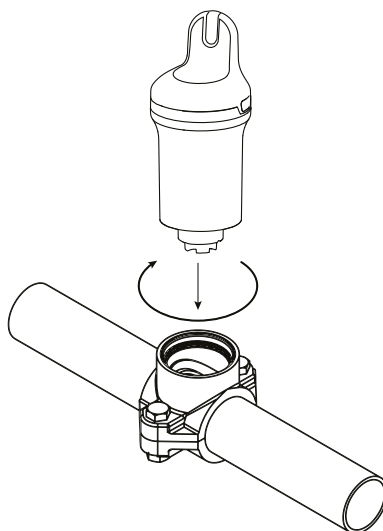
Blue Connect мора бити у вертикалном положају, са сондом надоле.



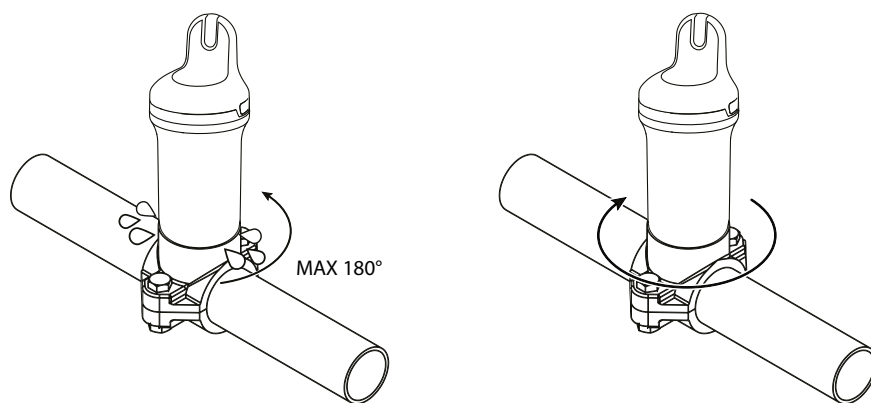
3. Поставите оба дела обујмице за црево са сваке стране цеви тако да се рупе поклапају и заврните обујмицу за црево.



4. Причврстите Blue Connect на стезаљку за црево. Горња ивица Blue Connect-а треба да буде паралелна са цеви.



5. Укључите систем за филтрирање.
6. Лагано и полако одвртите Blue Connect (максимално  $\frac{1}{2}$  окрета) да бисте уклонили ваздух. Чим вода изађе, то значи да више нема ваздуха у цевима, па можете поново чврсто зашрафити Blue Connect.

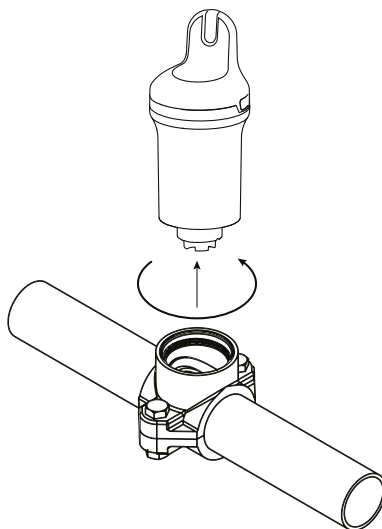


7. У апликацији изаберите производ и потражите опцију за активирање Blue Fit50 и пратите упутства.

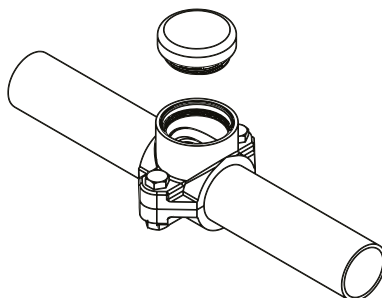
## 11. BLUE FIT50 – ВИНТЕРИЗАЦИЈА

Следите ову процедуру када се спремате да одложите Blue Connect за зиму.

1. Искључите филтер пумпу, затворите вентиле и одвртите Blue Connect.



2. Затворите обујмицу црева са поклопцем који се налази у кутији Blue Fit50.



3. Следите процедуру винтеризације за Blue Connect (видети [Винтеризација, страна 269](#)).

# SADRŽAJ

1. BLUE CONNECT – UVOD.....	276
Pregled.....	276
2. OPIS.....	277
3. INSTALACIJA APLIKACIJE.....	278
Preuzimanje aplikacije.....	278
4. BLUE CONNECT – INSTALACIJA.....	278
Punjenje.....	278
Uparivanje s aplikacijom.....	279
Ugradnja.....	280
5. STATUS LED INDIKATORA.....	281
6. ODRŽAVANJE.....	282
Kalibriranje pH sonde.....	282
Kalibriranje ORP sonde.....	283
Zamjena sonde.....	284
Priprema za zimsko razdoblje.....	286
7. UKLANJANJE KVAROVA.....	288
8. BLUE FIT50 – UVOD.....	289
9. BLUE FIT50 – OPIS.....	289
Mjere opreza pri uporabi.....	289
10. BLUE FIT50 – UGRADNJA.....	290
11. BLUE FIT50 – PRIPREMA ZA ZIMSKO RAZDOBLJE.....	291



**Recikliranje** – Ovaj simbol propisuje Direktiva 2012/19/EU o otpadnoj električnoj i elektroničkoj opremi (OEEO) i on znači da se uređaj ne smije odlagati u komunalni otpad. Prikuplja se odvojeno u svrhu uporabe, recikliranja ili prenamjene. Ako sadrži tvari koje mogu biti štetne za okoliš, njih je potrebno eliminirati ili neutralizirati. Za informacije o recikliranju obratite se trgovini.



- Prije uporabe uređaja važno je pročitati upute o sigurnosti i knjižicu jamstva koje ste dobili zajedno s proizvodom. Ako to ne učinite može doći do teške ili smrtonosne ozljede, materijalne štete a time i do gubitka jamstva.
- Zadržite i prosljedite ove dokumente kako bi se kasnije koristili tijekom cijelog vijeka trajanja ovog uređaja.
- Distribucija ili mijenjanje ovog dokumenta na bilo koji način zabranjeni su bez prethodnog odobrenja proizvođača.
- Proizvođač neprestano razvija svoj proizvod kako bi poboljšao njegovu kvalitetu. Proizvođač zadržava pravo na cjelokupnu ili djelomičnu promjenu značajke proizvoda ili sadržaja ovog dokumenta bez prethodnog upozorenja.

## 1. BLUE CONNECT – UVOD

---

Blue Connect neprestano mjeri ključne parametre vašeg bazena (temperaturu, pH, klor, vodljivost). Uz to vas, na temelju geolokacije, obavještava o vanjskoj temperaturi i vremenu. Rezultati ove analize zatim se šalju vama, u obavijestima aplikacije Fluidra Pool (dostupne na pametnom telefonu ili tabletu, kompatibilnom sa operativnim sustavima Android™ i iOS). Ako uređaj otkrije da jedan od parametara nije ispravan, primit ćete upozorenje i informacije o korektivnom mjeri koju trebate provesti kako biste regulirali i stabilizirali taj parametar i održali zdravu i uravnoteženu kvalitetu vode.

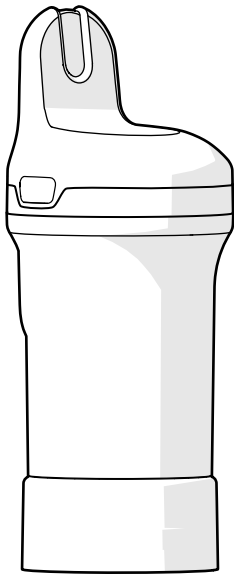
### Pregled

Blue Connect obavlja sljedeća mjerenja:

- **Temperatura vode** (°C): mjeri temperaturu vode. Povišena temperatura umanjuje djelotvornost klora i potiče razvoj mikroorganizama.
- **pH** (potencijal vodika): mjeri kiselost ili lužnatost vode. pH pridonosi djelotvornosti sredstva za dezinfekciju.
- **ORP/REDOX** (potencijal redukcije-oksidacije / redoks potencijal): ORP ili REDOX mjeri oksidacijsku snagu vode u mV. Osigurava podatke o dezinfekcijskoj snazi vode.
- **Vodljivost** (μS): mjeri koncentraciju neorganskih soli u vodi, na temelju njene električne vodljivosti (ovisno o modelu).
- **Salinitet** (g/l): mjeri koncentraciju soli otopljene u vodi (ovisno o modelu).

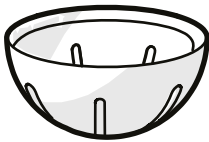
## 2. OPIS

---



**Blue Connect** – isporučuje se s postoljem za čuvanje kako bi sonda bila zaštićena tijekom transporta. Sonda je uronjena u KCl (zasićeni kalijev klorid), koji joj osigurava zaštitu.

**Postolje za čuvanje** – koristi se za transport sonde izvan vode ili za držanje uronjenih senzora tijekom duljeg čuvanja (npr. tijekom punjenja ili u zimskom razdoblju).

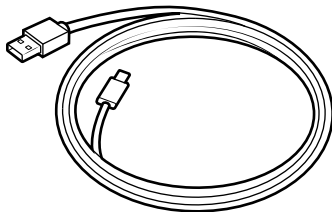


**Poklopac senzora** – mora se uvijek postaviti na uređaj prije njegova stavljanja u vodu. Štiti senzore od oštećivanja.



**Žica** – koristi se za učvršćivanje uređaja na točku spajanja (nije obvezno).

Možda će vam biti potrebna mala kliješta za umetanje žice u otvor na bočnoj strani proizvoda.

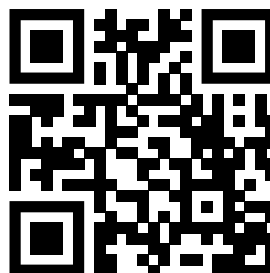


**USB-C kabel** – koristi se za punjenje uređaja.

### 3. INSTALACIJA APLIKACIJE

#### Preuzimanje aplikacije

Preuzmite aplikaciju Fluidra Pool i slijedite upute, kako biste izradili korisnički račun i pripremili svoj bazen.



### 4. BLUE CONNECT – INSTALACIJA

Za pripremu uređaja Blue Connect i početak njegova rada potrebno je provesti sljedeće korake:

- napunite uređaj,
- uređaj uparite s aplikacijom Fluidra Pool,
- namjestite poklopac senzora i spustite ga u bazen.

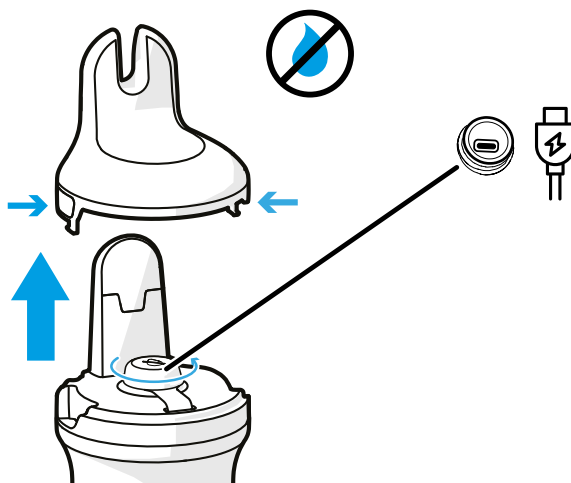
#### Punjenje



- Prije početka korištenja uređaj morati napuniti do kraja. Uvijek ga puniti u uspravnom okomitom položaju na postolju napunjenom otopinom kalijeva klorida ili vodom.
- Tijekom punjenja, izmjerene vrijednosti (pH, ORP) mogu biti netočne. Ne uzimajte ove vrijednosti u obzir prilikom punjenja.

Punjenje uređaja Blue Connect:

1. **Blue Connect dobro obrišite**, zatim skinite gornji poklopac tako da ga pritisnete s obje strane i povučete prema gore.
2. Odvrnite poklopac priključka za punjenje i USB-C kabel utaknite u priključak na uređaju i u izvor napajanja, kako biste omogućili punjenje.

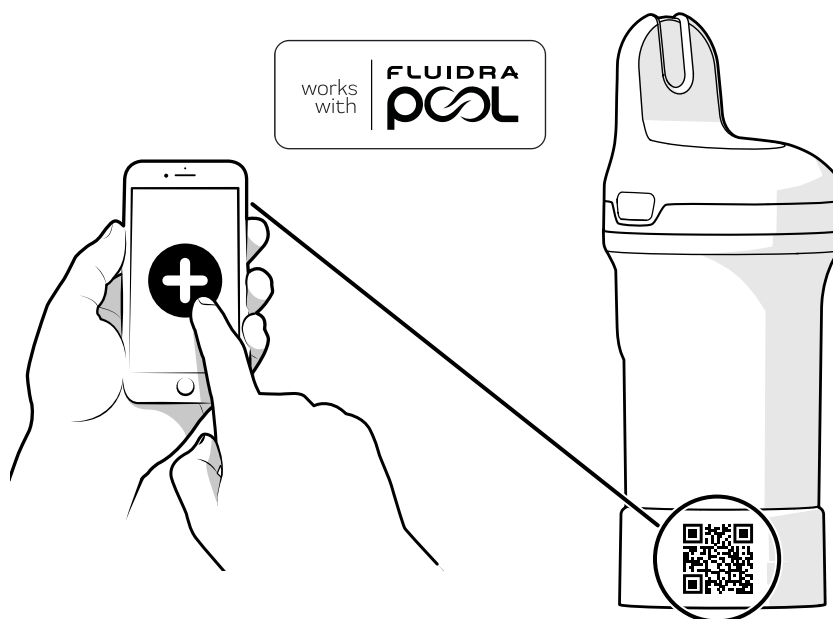


**Prije početka punjenja otvor za punjenje mora biti suh. Uređajem rukujte suhim rukama i u suhom prostoru**

3. Nakon završenog punjenja, **dobro zatvorite otvor za punjenje** i poklopac vratite natrag na Blue Connect

## Uparivanje s aplikacijom

Otvorite aplikaciju Fluidra Pool i kliknite na **Add equipment** (Dodavanje opreme), kako biste ju uparili s uređajem Blue Connect. QR kôd koji se koristi za uparivanje nalazi se na postolju ispod gornjeg poklopca koji se skida tijekom punjenja.

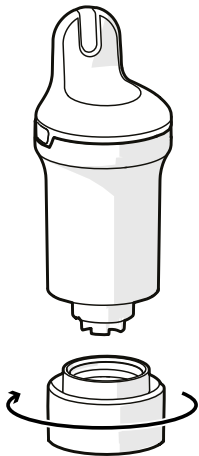


Nakon povezivanja s aplikacijom, ona će vas obavijestiti jesu li dostupna neka ažuriranja za opremu. Za ažuriranje proizvoda slijedite upute aplikacije.

## Ugradnja

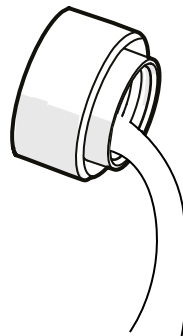
Prije početka korištenja morate skinuti postolje za čuvanje i namjestiti poklopac senzora.

1. Blue Connect postavite u uspravan položaj i odvrnite postolje za čuvanje.

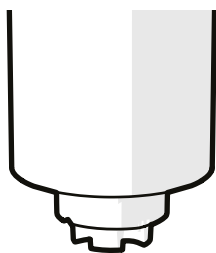


2. Ispraznite postolje za čuvanje i isperite ga čistom vodom. Ostavite postrani.

**NAPOMENA:** postoje za čuvanje držite na sigurnom mjestu, kako biste ga mogli kasnije koristiti.



3. Sondu isperite čistom vodom.

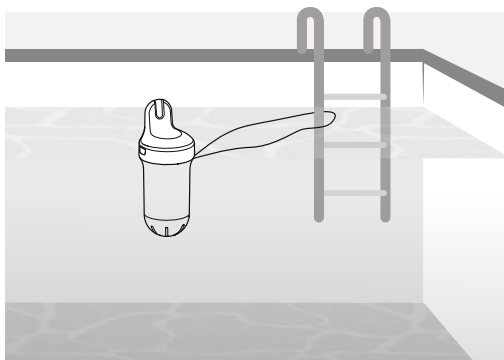


4. Navrnite poklopac senzora kako biste zaštitili sonde.



5. Blue Connect stavite u bazen i ostavite da pluta na vodi. Ako je potrebno, možete ga žicom učvrstiti na točku priključivanja.

Pobrinite se da uređaj stoji u okomitom položaju i da vrh bude iznad vode kako biste omogućili pravilnu komunikaciju.

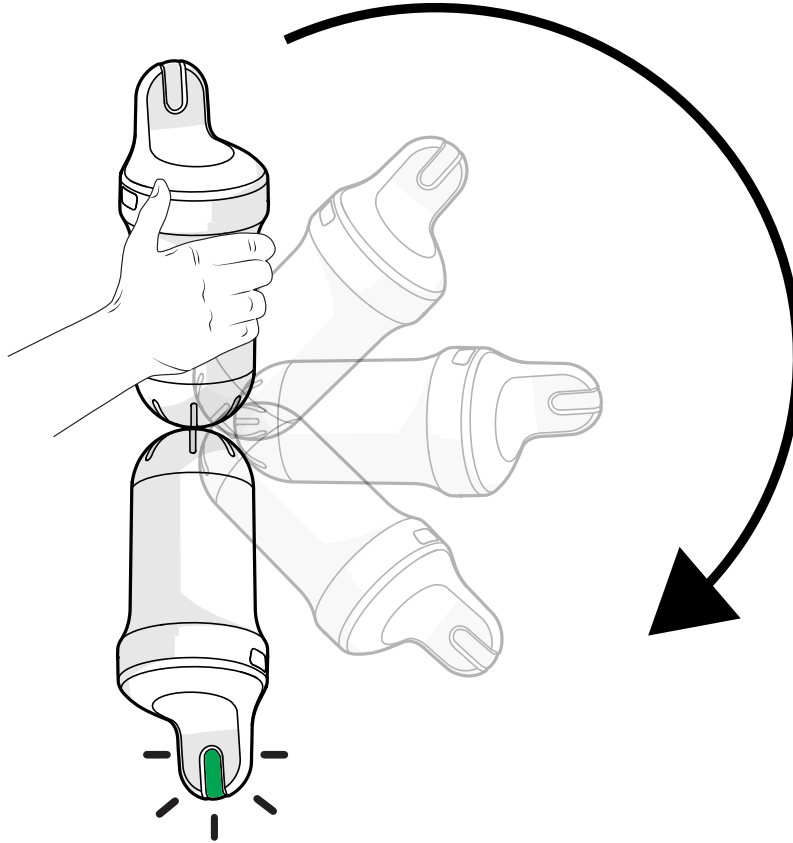


**U bazenima s pokrovom, kad postavljate pokrov bazena ne preporučuje se da uređaj Blue Connect učvršćujete žicom. Uređaj može potonuti u vodu čime se prekida povezivanje s aplikacijom.**

## 5. STATUS LED INDIKATORA

LED indikator na proizvodu daje informacije o kvaliteti vode, statusu baterije i punjenju.

Ako status vode/baterije želite provjeriti izravno na uređaju (a ne u aplikaciji), izvadite ga iz vode i okrenite naopačke kako je prikazano na slici. U toma ga položaju morate držati najmanje 1 sekundu. Blue Connect emitira zvučni signal („beep“) i LED indikator svijetli (pogledajte donju tabelu statusa LED indikatora).



STANJE	STATUS LED / „BEEP“	OPIS
Punjenje	Polagano plavo žmirkanje / 1 „beep“	Punjenje
	Stalno plavo svjetlo	Napunjeno (do kraja)
Nije aktivirano	Isključen	Uređaj nije aktiviran
Brza provjera statusa (pogledajte obrazloženje u nastavku)	3 crvena bljeska/ 3 „beep“-a	Prazna baterija
	Stalno zeleno svjetlo 5 s / 1 „beep“	Voda je u redu
	Stalno narančasto svjetlo 5 s / 1 „beep“	Voda nije u redu (potrebno je provjeriti i popraviti kvalitetu vode. Za više informacija pogledajte aplikaciju Fluidra Pool.)
	Stalno bijelo svjetlo 5 s / 1 „beep“	Nema statusa vode, uređaj je uključen
Ažuriranje opreme	Brzo plavo žmirkanje / 1 „beep“	

## 6. ODRŽAVANJE

Svi postupci održavanja moraju se provoditi s pomoću aplikacije Fluidra Pool.

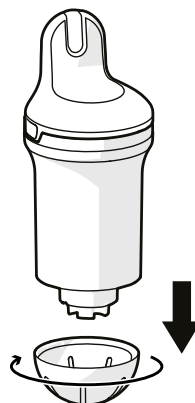


- Proizvodi za kalibriranje namijenjeni su samo za jednokratnu uporabu. Nemojte ih nikada koristiti dvaput. Za novi proizvod obratite se distributeru.
- Kalibracija se ne smije izvoditi tijekom punjenja uređaja.

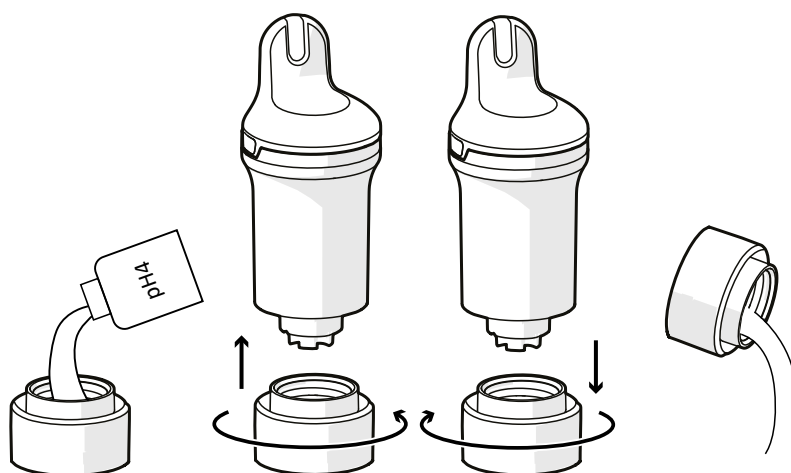
### Kalibriranje pH sonde

Kalibriranje pH sonde treba provesti jednom u sezoni. Za to je potreban komplet za kalibriranje – za više informacija obratite se lokalnom distributeru. Kalibriranje nije potrebno provoditi kod prve ugradnje.

1. Uređaj izvadite iz vode, skinite poklopac senzora i sondu isperite čistom vodom.



2. Postolje za čuvanje isperite čistom vodom i obrišite.
3. Provjerite je li na vašem pametnom telefonu aktiviran Bluetooth®. Tijekom cijelog procesa kalibracije ostanite u blizini uređaja.
4. U aplikaciji, odaberite proizvod, potražite dio za kalibriranje sonde i slijedite korake s uputama.
5. U postolje za čuvanje stavite otopinu pH4 i navrnite ga na uređaj. Slijedite upute u aplikaciji.
6. Nakon završenog mjerenja pH4, odvrnite postolje za čuvanje i isperite sondu. Postolje ispraznite, isperite ga čistom vodom i obrišite.



7. Ponovite korak 5 koristeći otopinu pH5.



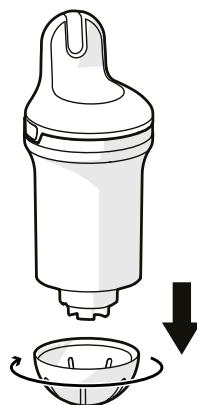
Nakon korištenja proizvoda za kalibriranje sondu i postolje uvijek isperite čistom vodom kako biste izbjegli stvaranje mješavina.

8. Potvrdite obavljeno kalibriranje.
9. Namjestite poklopac senzora na uređaju Blue Connect i uređaj spustite natrag u bazen.

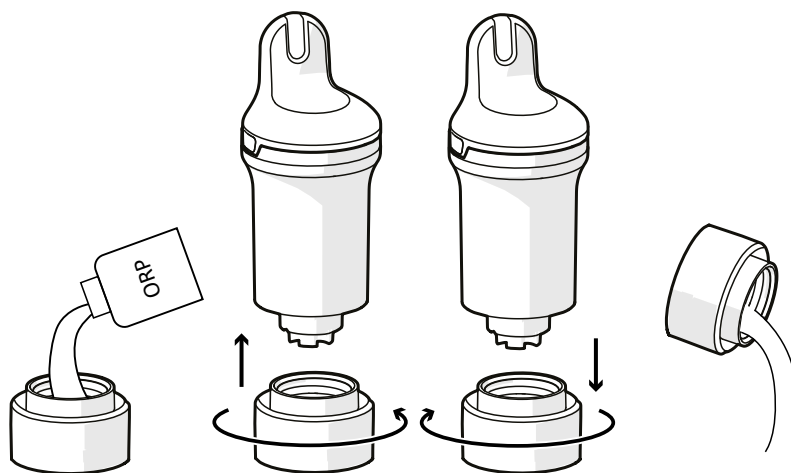
## Kalibriranje ORP sonde

Kalibriranje ORP sonde treba provesti jednom u sezoni. Za to je potreban komplet za kalibriranje – za više informacija obratite se lokalnom distributeru. Kalibriranje nije potrebno provoditi kod prve ugradnje.

1. Uređaj izvadite iz vode, skinite poklopac senzora i sondu isperite čistom vodom.



2. Postolje za čuvanje isperite čistom vodom i obrišite.
3. Provjerite je li na vašem pametnom telefonu aktiviran Bluetooth®. Tijekom cijelog procesa kalibracije ostanite u blizini uređaja.
4. U aplikaciji, odaberite proizvod, potražite dio za kalibriranje sonde i slijedite korake s uputama.
5. U postolje za čuvanje stavite otopinu ORP i navrnite ga na uređaj. Slijedite upute u aplikaciji.
6. Nakon završenog mjerenja ORP, odvrnite postolje za čuvanje i isperite sondu. Postolje ispraznite, isperite ga čistom vodom i obrišite.



- Nakon korištenja proizvoda za kalibriranje sondu i postolje uvijek isperite čistom vodom kako biste izbjegli stvaranje mješavina.
- Nakon kalibracije ORP/redoks vrijednosti, može proći neko vrijeme dok se ne dobiju točna mjerenja. Pričekajte najmanje 6 sati prije mjerenja u bazenu.

7. Potvrdite obavljeno kalibriranje.
8. Namjestite poklopac senzora na uređaju Blue Connect i uređaj spustite natrag u bazen.

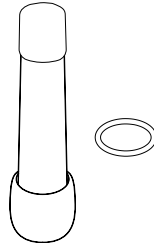
## Zamjena sonde

Sondu je potrebno mijenjati otprilike svake dvije godine. Za novu sondu obratite se distributeru.



- Kako biste osigurali maksimalan vijek trajanja sonde, čuvajte je u vlažnom okolišu koliko god je to dugo moguće. Ako uređaj izvadite iz vode, morate postaviti postolje za čuvanje s KCl (zasićenim kalijevim kloridom), pH4 ili, kao krajnje rješenje, vodom iz bazena.
- Nizak pH (unutar dozvoljenih parametara za bazene) produžuje vijek trajanja sonde.
- Kad punite sondu, pripazite da proizvod ne ostane predugo otvoren, jer bi desikant mogao apsorbirati vlagu i osloboditi ju u proizvod nakon zatvaranja

### Komplet za zamjenu sonde

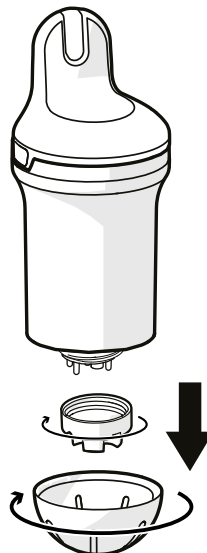


### Ugradnja



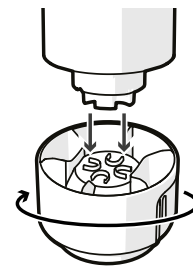
**Svakako se preporučuje ovaj postupak provoditi s proizvodom u okomitom položaju kako u njega ne bi ušla voda.**

1. U aplikaciji, odaberite svoj proizvod, potražite dio za zamjenu sonde i slijedite korake s uputama.
2. Izvadite Blue Connect iz vode. Obrišite uređaj da bude potpuno suh i započnite postupak na čistom i suhom mjestu.
3. Skinite poklopac senzora i poklopac sonde.

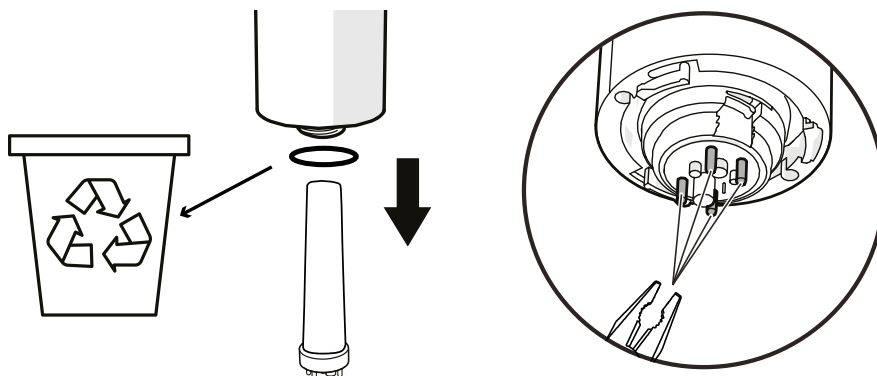




Ako je potrebno, za odvrtnje poklopca sonde možete si pomoći donjim dijelom postolja za čuvanje.

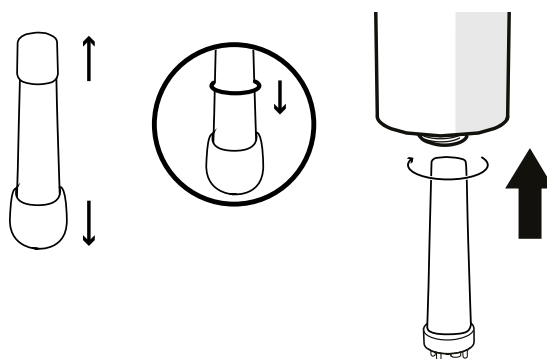


4. Pažljivo povucite četiri plastična vrha na sondi. Ako je potrebno, kako biste ih pažljivo skinuli, možete koristiti kliješta (pogledajte približnu sliku). Obrišite preostalu vodu i uređaj držite u uspravnom položaju. Ne zaboravite skinuti brtvu i bacite ju (može ostati zaglavljena u unutrašnjosti).



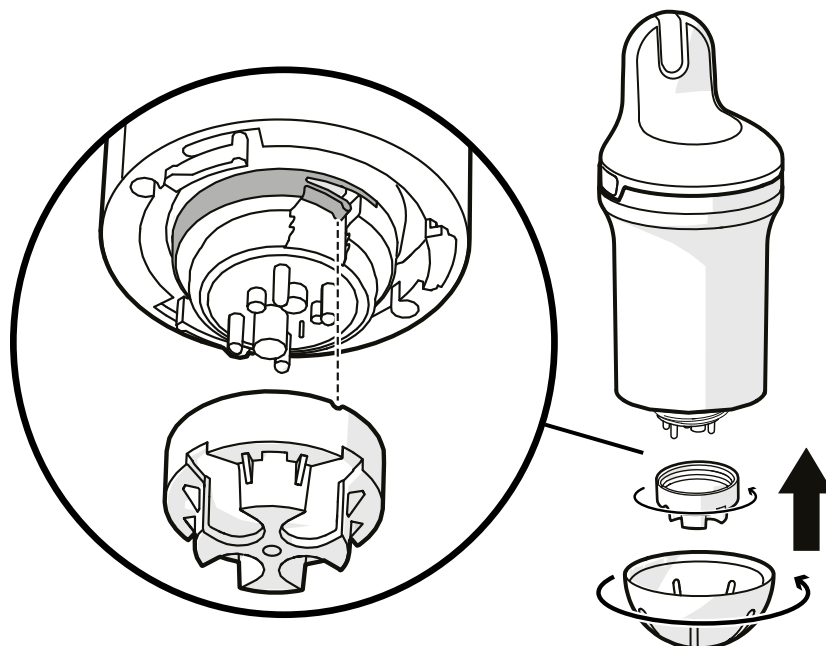
5. Skenirajte QR kôd nove sonde

6. Skinite zaštitni poklopac nove sonde. Na novu sondu postavite novu brtvu. Umetnite sondu i okrećite ju dok ne dođe u ispravan položaj.

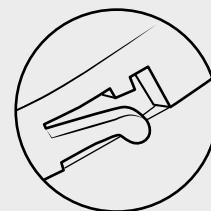


- Pazite da ne ispustite sondu jer je ona vrlo lomljiva.
- Tijekom ugradnje NEMOJTE koristiti nikakve alate i NEMOJTE dodirivati osjetljiva područja plombe kako se ne bi oštetila.
- Ove korake treba provoditi što je moguće brže kako uređaj ne bi bio predugo otvoren.

7. Poklopac sonde čvrsto navrnite na uređaj, dok se ne začuje „klik“ (pogledajte približnu sliku). Za stezanje si možete pomoći donjim dijelom postolja za čuvanje. Nakon toga namjestite poklopac senzora i Blue Connect vratite natrag u vodu.



**Poklopac sonde mora biti navrnut tako da maleni jezičac klikne na svoje mjesto, kako je prikazano na slici. U suprotnome proizvod se može oštetiti.**



Nakon uranjanja u bazen, senzoru će možda trebati nekoliko sati za stabiliziranje parametara

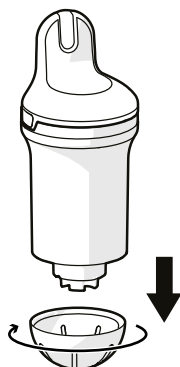
## Priprema za zimsko razdoblje

Kako biste svoj uređaj održali u ispravnom radnom stanju morate ga pravilno pospremiti za zimu, stavljanjem u zimski režim. Prije provođenja postupka koji slijedi pobrinite se da je proizvod napunjen do kraja.

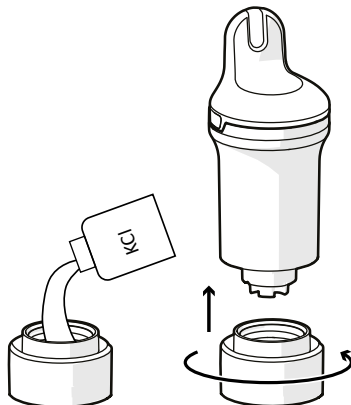
### Zimski režim

Prije pospremanja uređaja za zimu morate ga staviti u zimski režim. **Zimski režim ne može se aktivirati ako je proizvod na punjenju.**

1. Blue Connect izvadite iz vode. Skinite poklopac senzora.



2. Provjerite jesu li na vašem pametnom telefonu aktivirani internet (Wi-Fi ili 4G) i Bluetooth®. Tijekom cijelog procesa stanja u pripremi ostanite u blizini uređaja.
3. Stavite uređaj u zimski režim – u aplikaciji, odaberite svoj proizvod, potražite zimski režim i slijedite korake s uputama.
4. Postolje za čuvanje isperite čistom vodom i obrišite ga. U postolje za čuvanje stavite KCl (zasićeni kalijev klorid) ili pH4 (ili, kao krajnje rješenje, vodu) i navrnite ga na uređaj.



KCl u postolju za čuvanje može uzrokovati stvaranje aglomerirane sole na spoju s glavnim dijelom uređaja, ali to ni u kojem slučaju nije opasno. To jednostavno isperite čistom vodom.

5. Potvrdite zimski režim i pospremite Blue Connect na mjesto zaštićeno od smrzavanja.

## Čuvanje

Ako Blue Connect morate izvaditi iz bazena na dulje od jednog sata, postavite postolje za čuvanje s KCl (zasićenim kalijevim kloridom) ili pH4 ili, kao krajnjim rješenjem, vodom iz bazena jer se sonda nikako ne smije posušiti.

## Ponovno aktiviranje nakon zimskog razdoblja

Kako biste Blue Connect ponovno aktivirali nakon zimskog razdoblja, jednostavno ga spojite na punjač baterije. To će „probuditi” uređaj.

## 7. UKLANJANJE KVAROVA

PROBLEM	RJEŠENJE
Bezuspješno uparivanje	Provjerite niste li u pristupnom kôdu pomiješali brojke i slova (npr. B i 8, I i 1 itd.).
Vrijednosti mjerenja nisu ispravne.	<ul style="list-style-type: none"> <li>• Provjerite kalibriranje senzora.</li> <li>• Mjehurić zraka može iskriviti mjerenja. Polako pomičite uređaj kako biste pokušali ukloniti mjehuriće.</li> </ul>
Čudne izmjerene vrijednosti (pH i ORP)	Uzrok mogu biti mjehurići na sondi. Protresite uređaj ispod površine vode kako biste uklonili mjehuriće i ponovno provedite mjerenje.
Uređaj ste okrenuli naopačke kao biste proveli provjeru stanja ali ništa se ne događa	<ul style="list-style-type: none"> <li>• Polagano okrenite uređaj, pripazite da ga držite okrenutoga naopačke najmanje 1 sekundu.</li> <li>• Uključite ga na punjenje.</li> </ul> <p>Ako se LED indikator ni tada ne upali, kontaktirajte distributera.</p>
Uređaj se ne puni (plavi LED ne svijetli)	<ul style="list-style-type: none"> <li>• Provjerite punjač</li> <li>• Provjerite USB kabel</li> </ul> <p>Ako se uređaj ni tada ne puni, kontaktirajte distributera.</p>
Kad svoj uređaj želite povezati na Bluetooth, uređaj nije otkriven i ne pojavljuje se na popisu uređaja.	<ul style="list-style-type: none"> <li>• Provjerite je li Bluetooth aktiviran na vašem pametnom telefonu</li> <li>• Provjerite nije li uređaj već spojen na neki drugi pametni telefon</li> <li>• Napunite uređaj</li> </ul> <p>Ako se uređaj ni tada ne puni, kontaktirajte distributera.</p>
Nakon preokretanja proizvoda ne vidite boju statusa vode.	<ul style="list-style-type: none"> <li>• Provjerite u tamnijem prostoru ili svojom rukom napravite sjenu</li> <li>• Napunite uređaj</li> </ul>
Uređaj morate često puniti	<ul style="list-style-type: none"> <li>• Provjerite kvalitetu Wi-Fi signala</li> <li>• Pokušajte uređaj staviti na različita mjesta u bazenu</li> <li>• Wi-Fi repetitor postavite blizu vašeg bazena</li> </ul>
Dobiveni podaci potpuno su izvan mjernog područja	Provjerite je li sonda na svom mjestu, je li matica čvrsto stegnuta te je li indikator stezanja na ispravnom mjestu.
Kondenzacija se pojavljuje u LED području	To je normalno i ne utječe na funkcionalnost proizvoda. Kondenzacija će nestati nakon pravilnog skladištenja proizvoda duže od 6 dana.
Proizvod se ne povezuje na Wi-Fi	Premjestite proizvod bliže Wi-Fi uređaju.
Mjerenje nakon prvog postavljanja ili čuvanja tijekom zime se ne obavlja	Senzor je previše suh. Ostavite senzor u vodi 24 sata, zatim obavite kalibriranje i provjerite radi li senzor ispravno.

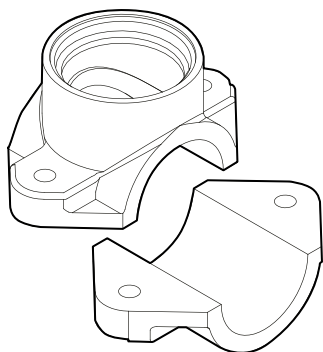
## 8. BLUE FIT50 – UVOD

Blue Fit50 je stezaljka za crijevo kompatibilna s Blue Connect. Služi za stavljanje uređaja Blue Connect na cijevne instalacije u tehničkoj prostoriji.



Blue Fit50 je dio pribora za Blue Connect. Prodaje se zasebno.

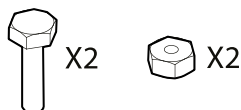
## 9. BLUE FIT50 – OPIS



**Stezaljka za jedno crijevo**



**Poklopac s navojem**



**Dva vijka i matice**

### Mjere opreza pri uporabi

- Blue Connect nemojte ostavljati na stezaljci Blue Fit50 kad u cijevima nema vode.
- Kod korištenja na hidrauličkom sklopu (gdje postoji rizik od vodnog udara), savjetuje se skidanje uređaja Blue Connect kako se proizvod ne bi uništio.
- Pobrinite se da protok u instalacijama bude dostatan kako bi Blue Connect mogao obaviti mjerenja.
- Blue Connect uvijek držite okomito, sa sondom okrenutom prema dolje.
- Blue Connect nemojte puniti kad je postavljen na stezaljku Blue Fit50. Skinite ga prije punjenja.
- Nemojte puniti uređaj kontinuirano. Izmjerene vrijednosti mogu biti netočne tijekom punjenja.

## 10. BLUE FIT50 – UGRADNJA

Pobrinite se da Blue Fit50 uvijek postavite iza filtra (kako biste izbjegli oštećivanje sonde) i ispred sustava za ubrizgavanje ili elektrolizu (kako biste izbjegli mijenjanje vrijednosti koje je izmjerio Blue Connect).

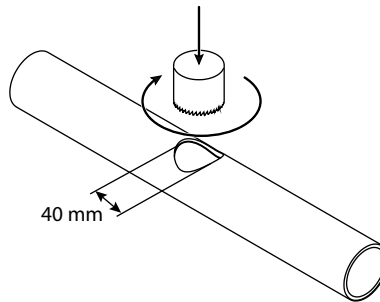
Maksimalno dopušten tlak vode za ugradnju u cijev je 300 kPa.

Ako je potrebno i ako imate bilo kakvih nedoumica savjet zatražite od specijaliziranog stručnjaka za bazene.

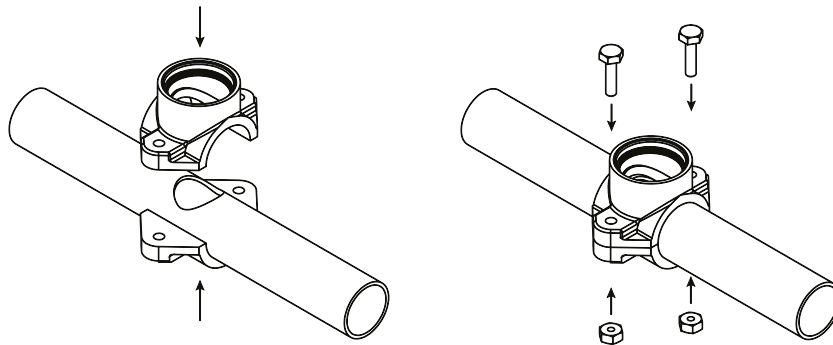
1. Isključite sustav za filtriranje.
2. Krunskom pilom promjera 40 mm izbušite rupu na gornjem dijelu cijevi.



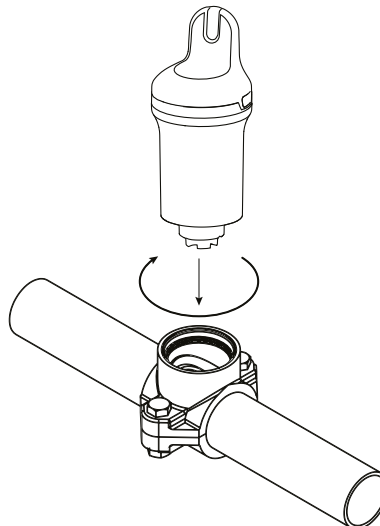
Blue Connect mora biti u okomitom položaju, sa sondom okrenutom prema dolje.



3. Oba dijela stezaljke za crijevo postavite sa svake strane cijevi tako da se rupe poklapaju i zategnite stezaljku.

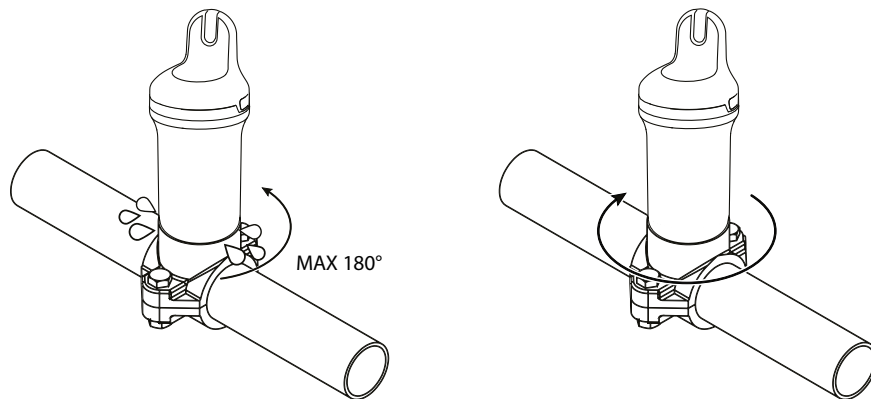


4. Blue Connect navrnite na stezaljku za crijevo. Gornji poklopac uređaja Blue Connect treba biti postavljen paralelno sa cijevi.



5. Uključite sustav za filtriranje.

6. Polagano i nježno odvrnite Blue Connect (najviše za polovinu okreta), kao biste ispustili preostali zrak. Čim iz uređaja počne izlaziti voda to znači da u cijevima više nema zraka i tada Blue Connect možete ponovno stegnuti do kraja.

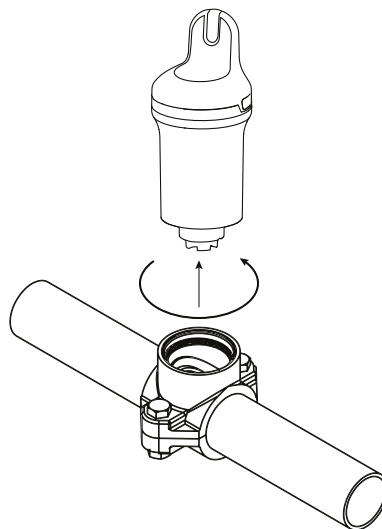


7. U aplikaciji odaberite proizvod, potražite opciju za aktiviranje Blue Fit50 option and slijedite upute.

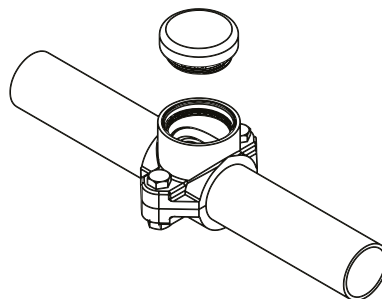
## 11. BLUE FIT50 – PRIPREMA ZA ZIMSKO RAZDOBLJE

Kad se spremate Blue Connect pripremiti za zimsko razdoblje slijedite ovaj postupak.

1. Isključite filtarsku crpku, zatvorite ventile i odvrnite Blue Connect.



2. Hermetički zatvorite stezaljku za crijeva s pomoću poklopca koji se nalazi u kutiji kompleta Blue Fit50.



3. Slijedite upute za pripremu uređaja Blue Connect za zimsko razdoblje (pogledajte [Priprema za zimsko razdoblje, stranica 286](#)).

## CUPRINS

1. PREZENTAREA DISPOZITIVULUI BLUE CONNECT .....	293
Prezentare generală .....	293
2. DESCRIERE.....	294
3. INSTALAREA APLICAȚIEI.....	295
Descărcați aplicația .....	295
4. INSTALAREA DISPOZITIVULUI BLUE CONNECT .....	295
Încărcarea .....	295
Conectarea la aplicație.....	296
Instalarea .....	297
5. LED-UL DE STARE.....	298
6. ÎNTREȚINEREA.....	299
Calibrarea sondei de pH.....	299
Calibrarea sondei POR.....	300
Înlocuirea sondei.....	301
Depozitarea pe timp de iarnă .....	303
7. DEPANAREA.....	305
8. PREZENTAREA BLUE FIT50.....	306
9. DESCRIEREA BLUE FIT50.....	306
Precauții pentru utilizare .....	306
10. INSTALAREA BLUE FIT50.....	307
11. DEPOZITAREA PE TIMP DE IARNĂ A BLUE FIT50.....	308



**Reciclarea** Acest simbol este impus prin Directiva europeană WEEE 2012/19/UE (directiva privind deșeurile de echipamente electrice și electronice) și înseamnă că dispozitivul dvs. nu trebuie eliminat împreună cu gunoiul menajer. Acesta va fi colectat selectiv pentru reutilizare, reciclare sau transformare. Dacă echipamentul conține substanțe care ar putea fi nocive pentru mediul înconjurător, acestea vor fi eliminate sau neutralizate. Luați legătura cu vânzătorul dvs. pentru a obține informații privind reciclarea.



- Înainte de a utiliza dispozitivul, este important să citiți avertismentele de siguranță și broșura de garanție livrată împreună cu produsul. Nerespectarea acestei indicații poate duce la vătămări corporale grave sau fatale, pagube materiale și va duce la anularea garanției.
- Păstrați și transmiteți aceste documente pentru a le vizualiza ulterior pe toată durata de viață a dispozitivului.
- Este interzisă distribuirea sau modificarea acestui document indiferent de mod, fără autorizarea prealabilă a producătorului.
- Producătorul își dezvoltă în mod constant produsele pentru a îmbunătăți calitatea acestora. Producătorul își rezervă dreptul de a modifica total sau parțial caracteristicile produsului sau conținutul acestui document fără avertisment prealabil.

## 1. PREZENTAREA DISPOZITIVULUI BLUE CONNECT

---

Blue Connect măsoară continuu parametri esențiali ai piscinei dumneavoastră (temperatură, pH, clor, conductivitate). De asemenea, vă informează despre temperatura exterioară și vreme în funcție de geografia dumneavoastră. Rezultatele acestei analize vă sunt apoi comunicate prin notificări în aplicația Fluidra Pool (disponibilă pe smartphone și tabletă, compatibile cu Android™ și iOS). În cazul în care dispozitivul detectează că unul dintre parametri este incorect, veți primi o alertă și informații despre acțiunea corectivă de efectuat pentru a regla și stabiliza acest parametru pentru a menține o calitate a apei sănătoasă și echilibrată.

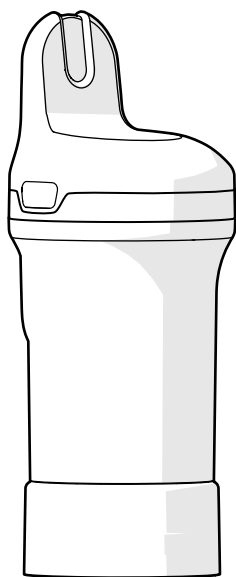
### Prezentare generală

Dispozitivul Blue Connect măsoară:

- **Temperatura apei** (°C): măsoară temperatura apei. O temperatură ridicată reduce eficiența clorului și favorizează dezvoltarea microorganismelor.
- **pH-ul** (potențialul de hidrogen): măsoară caracterul acid sau bazic al apei. pH-ul contribuie la eficacitatea dezinfectantului.
- **POR/REDOX** (potențialul de oxido-reducere/ potențialul redox): POR sau REDOX măsoară puterea de oxidare a apei în mV. Acesta oferă informații despre puterea de dezinfectare a apei.
- **Conductivitatea** (μS): măsoară concentrația de săruri anorganice din apă prin capacitatea acesteia din urmă de a conduce electricitatea (în funcție de model).
- **Salinitatea** (g/l): măsoară concentrația de sare dizolvată în apă (în funcție de model).

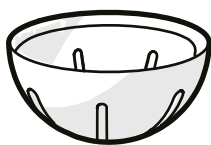
## 2. DESCRIERE

---



**Dispozitivul Blue Connect** – livrat cu baza de depozitare instalată pentru a proteja sonda în timpul transportului. Sonda este scufundată în KCl (clorură de potasiu saturată), care îi asigură protecția.

**Baza de depozitare** – folosită pentru a transporta sonda din apă sau pentru a menține senzorii scufundați în timpul unei depozitări prelungite (de exemplu: la încărcare sau iarna).

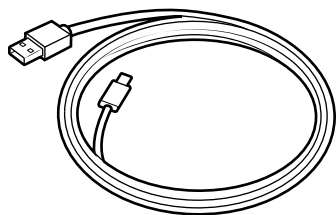


**Capacul senzorului** – trebuie montat întotdeauna pe dispozitiv înainte de a-l introduce în apă. Acesta protejează senzorii de orice deteriorare.



**Cordon** – folosit pentru a prinde dispozitivul de un punct de prindere (opțional).

Poate fi necesar să folosiți o pereche mică de clești pentru a-l introduce în deschiderea de pe partea laterală a produsului.

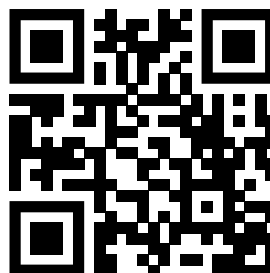


**Cablul USB-C** – folosit pentru încărcare.

### 3. INSTALAREA APLICAȚIEI

#### Descărcați aplicația

Descărcați aplicația Fluidra Pool și urmați instrucțiunile pentru a crea un cont și a vă configura piscina.



### 4. INSTALAREA DISPOZITIVULUI BLUE CONNECT

Următorii pași sunt necesari pentru a pune în funcțiune dispozitivul Blue Connect:

- Încărcați dispozitivul
- Conectați dispozitivul la aplicația Fluidra Pool
- Instalați capacul senzorului și introduceți-l în piscină

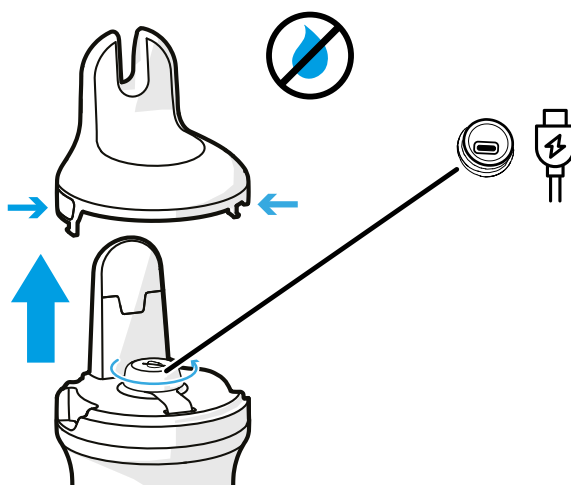
#### Încărcarea



- Trebuie să încărcați complet dispozitivul înainte de a-l folosi. Încărcați-l întotdeauna într-o poziție verticală, folosind baza de depozitare umplută cu soluție KCL sau apă.
- În timpul încărcării, valorile măsurate (pH, ORP) pot fi incorecte. Nu luați în considerare aceste valori în timpul încărcării.

Pentru a încărca dispozitivul Blue Connect:

1. **Uscați bine dispozitivul Blue Connect** apoi scoateți capacul superior apăsând pe fiecare parte și trageți în sus.
2. Deșurubați capacul portului de încărcare și conectați cablul USB-C la dispozitiv și la o sursă de alimentare pentru a încărca.

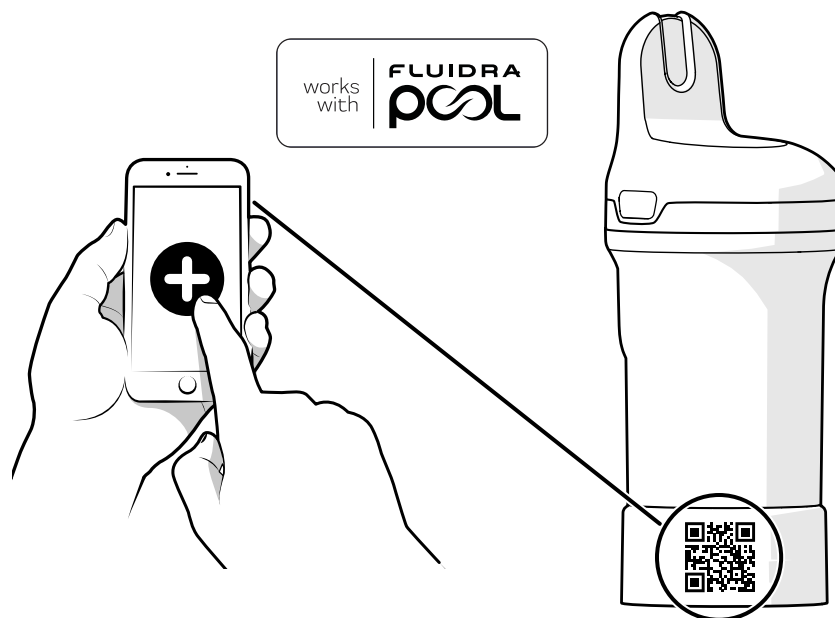


**Portul de încărcare trebuie să fie uscat înainte de încărcare. Manipulați cu mâinile uscate într-o zonă uscată.**

3. După încărcare, **închideți bine portul de încărcare** și amplasați partea superioară înapoi pe dispozitivul Blue

## Conectarea la aplicație

Deschideți aplicația Fluidra Pool și faceți clic pe **Adaugă echipament** pentru a conecta dispozitivul Blue Connect. Codul QR folosit pentru conectare este situat pe baza de depozitare și sub capacul superior care este îndepărtat pentru încărcare.

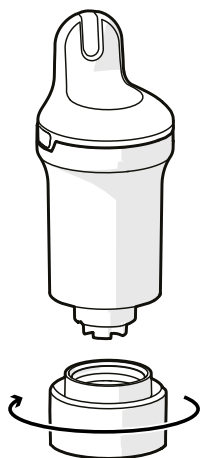


Odată conectat la aplicație, veți fi notificat în aplicație dacă există actualizări de firmware disponibile. Urmăriți instrucțiunile din aplicație pentru a vă actualiza produsul.

## Instalarea

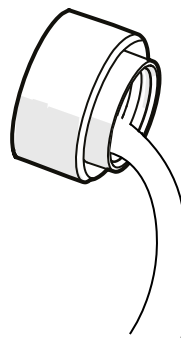
Înainte de utilizare, trebuie să îndepărtați baza de depozitare și să instalați capacul senzorului.

1. Așezați dispozitivul Blue Connect în poziție verticală și deșurubați baza de depozitare.

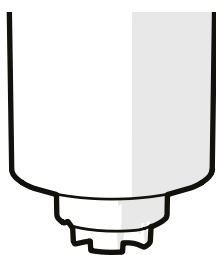


2. Goliți baza de depozitare și clătiți cu apă curată. Lăsați-o deoparte.

**NOTĂ:** Păstrați baza de depozitare într-un loc sigur pentru utilizare ulterioară.



3. Clătiți sonda în apă curată.

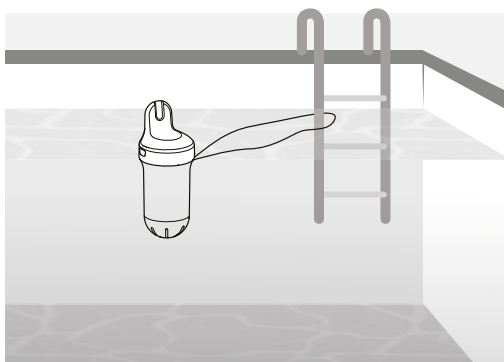


4. Înșurubați capacul senzorului pentru a proteja sondele.



5. Introduceți dispozitivul Blue Connect în piscină și lăsați-l să plutească în apă. Dacă este necesar, îl puteți asigura prinzându-l într-un punct de prindere cu cordonul.

Asigurați-vă că dispozitivul este în poziție verticală și partea superioară este în afara apei pentru a permite comunicarea corectă.

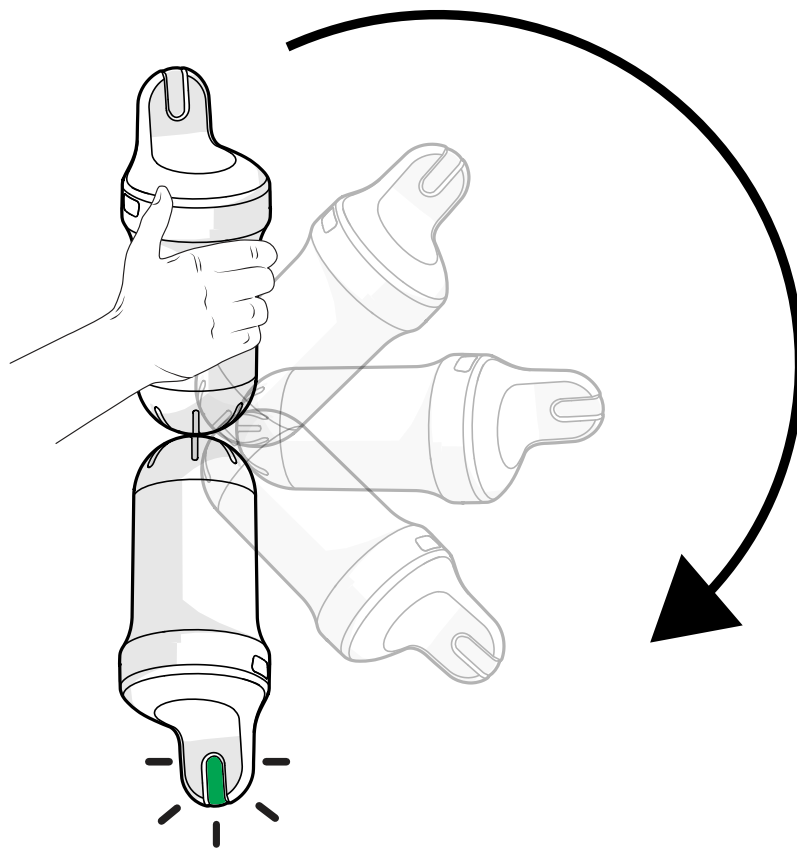


**Pentru piscinele cu copertină pentru piscină, nu este recomandat să folosiți cordonul pentru a prinde dispozitivul Blue Connect când închideți copertina piscinei. Dacă este prins, dispozitivul poate fi scufundat în apă și își poate pierde conectivitatea.**

## 5. LED-UL DE STARE

Indicatorul LED de pe produs oferă informații despre calitatea apei, starea bateriei și încărcare.

Dacă doriți să verificați starea apei/bateriei direct pe dispozitiv (în loc să căutați în aplicație), scoateți-l din apă și întoarceți-l cu susul în jos așa cum este indicat. Trebuie să-l țineți cel puțin 1 secundă în poziția răsturnată. Dispozitivul Blue Connect emite un bip și LED-ul se aprinde (vezi tabelul LED-ului de stare de mai jos).



CONDIȚIE	LED/BIP DE STARE	DESCRIERE
Încărcare	Albastru intermitent lent / 1 bip	Încărcare
	Albastru continuu	Încărcat (complet)
Nu este activat	Oprit	Dispozitivul nu este activat
Verificare rapidă de stare (vezi explicația mai jos)	3 flash-uri roșii / 3 bipuri	Baterie descărcată
	Verde continuu 5 s / 1 bip	Apa este în regulă
	Portocaliu continuu 5 s / 1 bip	Apa nu este în regulă (calitatea apei trebuie verificată și corectată. Pentru mai multe informații, consultați aplicația Fluidra Pool.)
	Alb continuu 5 s / 1 bip	Nicio stare a apei, dispozitivul este pornit
Actualizare firmware	Albastru intermitent rapid / 1 bip	

## 6. ÎNTREȚINEREA

Toate procedurile de întreținere trebuie efectuate folosind aplicația Fluidra Pool.

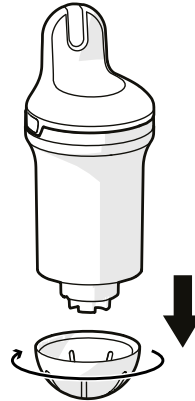


- Produsele de calibrare sunt de unică folosință. Nu le folosiți niciodată de două ori. Vă rugăm să contactați distribuitorul pentru a obține unul nou.
- Calibrarea nu trebuie efectuată în timp ce aparatul este încărcat.

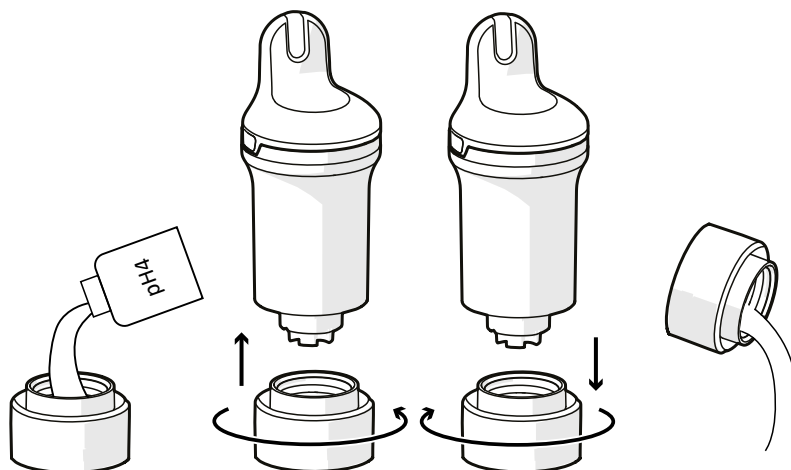
### Calibrarea sondei de pH

Calibrarea sondei de pH trebuie efectuată o dată pe sezon. Este necesar un kit de calibrare – contactați distribuitorul local pentru mai multe informații. Nu este necesar pentru prima instalare.

1. Scoateți dispozitivul din apă, îndepărtați capacul senzorului și clătiți sonda cu apă curată.



2. Clătiți baza de depozitare cu apă curată și ștergeți-o.
3. Asigurați-vă că Bluetooth® este activat pe smartphone-ul dumneavoastră. Stați aproape de dispozitiv pe tot parcursul procesului de calibrare.
4. În aplicație, selectați produsul, căutați secțiunea de calibrare a sondei și urmați pașii recomandați.
5. Puneți o soluție pH4 în baza de depozitare și înșurubați-o pe dispozitiv. Urmați instrucțiunile din aplicație.
6. După măsurarea pH-ului, deșurubați baza de depozitare și clătiți sonda. Goliți, clătiți cu apă curată și ștergeți baza.



7. Repetați pasul 5 folosind soluția pH7.



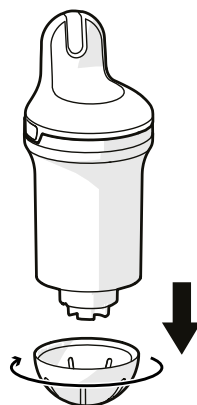
Curățați întotdeauna sonda și baza de depozitare cu apă curată după utilizarea unui produs de calibrare pentru a evita amestecurile.

8. Validați calibrarea.
9. Instalați capacul senzorului pe dispozitivul Blue Connect și puneți-l înapoi în piscină.

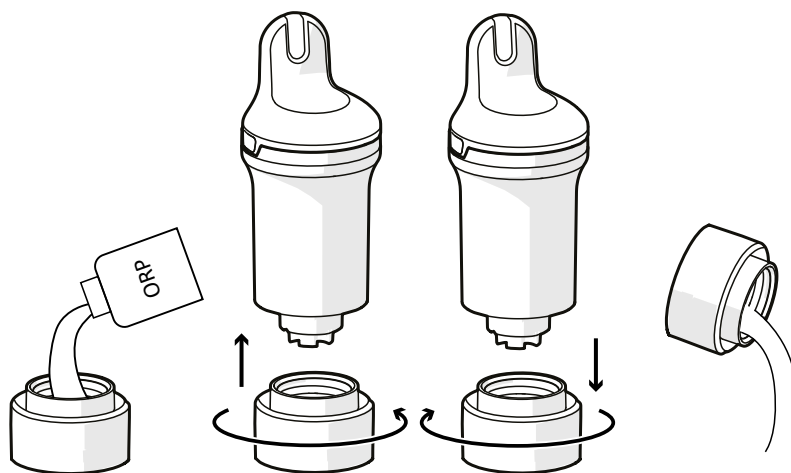
## Calibrarea sondei POR

Calibrarea sondei POR trebuie efectuată o dată pe sezon. Este necesar un kit de calibrare – contactați distribuitorul local pentru mai multe informații. Nu este necesar pentru prima instalare.

1. Scoateți dispozitivul din apă, îndepărtați capacul senzorului și clătiți sonda cu apă curată.



2. Clătiți baza de depozitare cu apă curată și ștergeți-o.
3. Asigurați-vă că Bluetooth® este activat pe smartphone-ul dumneavoastră. Stați aproape de dispozitiv pe tot parcursul procesului de calibrare.
4. În aplicație, selectați produsul, căutați secțiunea de calibrare a sondei și urmați pașii recomandați.
5. Puneți o soluție POR în baza de depozitare și înșurubați-o pe dispozitiv. Urmăriți instrucțiunile din aplicație
6. Odată ce măsurarea POR s-a încheiat, deșurubați baza de depozitare și clătiți sonda. Goliți, clătiți cu apă curată și ștergeți baza.



- Curățați întotdeauna sonda și baza de depozitare cu apă curată după utilizarea unui produs de calibrare pentru a evita amestecurile.
- Odată ce ORP/redox a fost calibrat, poate dura un timp până la obținerea valorilor corecte. Așteptați cel puțin 6 ore înainte de a efectua o măsurare în piscină.

7. Validați calibrarea.

8. Instalați capacul senzorului pe dispozitivul Blue Connect și puneți-l înapoi în piscină.

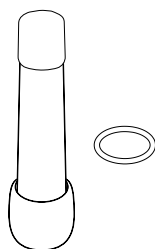
## Înlocuirea sondei

Sonda trebuie înlocuită aproximativ la fiecare doi ani. Vă rugăm să contactați distribuitorul pentru a obține o sondă nouă.



- Pentru a asigura longevitatea maximă a sondei, păstrați-o cât mai mult timp posibil într-un mediu umed. Dacă scoateți dispozitivul din apă, trebuie să instalați baza de depozitare cu KCl (clorură de potasiu saturată), pH4 sau, ca ultimă soluție, apă din piscină.
- Un pH scăzut (în limita parametrilor corecți ai piscinei) sporește longevitatea sondei.
- Când schimbați sonda, asigurați-vă că produsul nu rămâne deschis prea mult timp, deoarece desicantul poate absorbi umiditatea și apoi o eliberează în produs după ce este închis.

### Kit de înlocuire a sondei

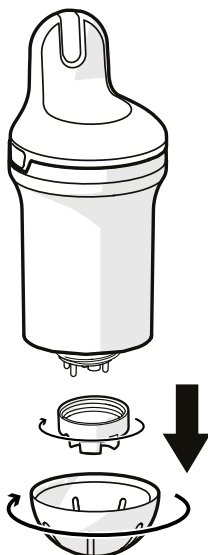


### Instalare



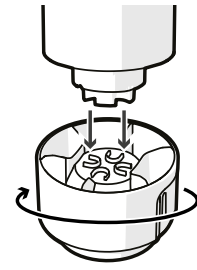
**Este foarte recomandat să efectuați această procedură ținând produsul în poziție verticală, astfel încât să nu pătrundă apă în dispozitiv.**

1. În aplicație, selectați produsul, căutați secțiunea de înlocuire a sondei și urmați pașii recomandați.
2. Scoateți dispozitivul Blue Connect din apă. Ștergeți dispozitivul și începeți procedura într-un loc uscat și curat.
3. Scoateți capacul senzorului și capacul sondei.

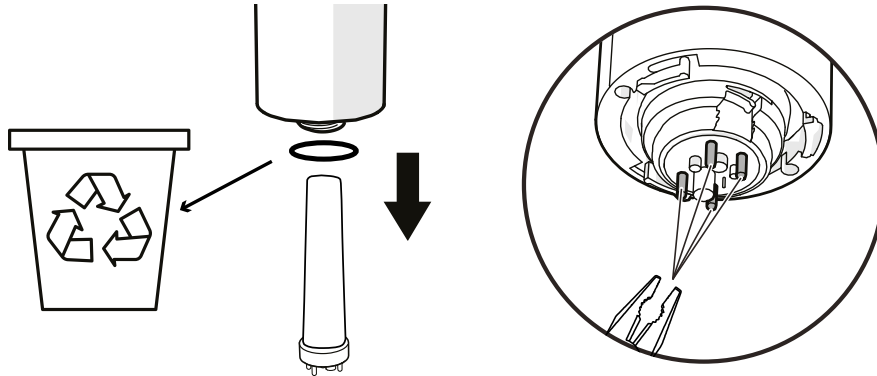




Dacă este necesar, puteți folosi partea inferioară a bazei de depozitare pentru a deșuruba capacul sondei.

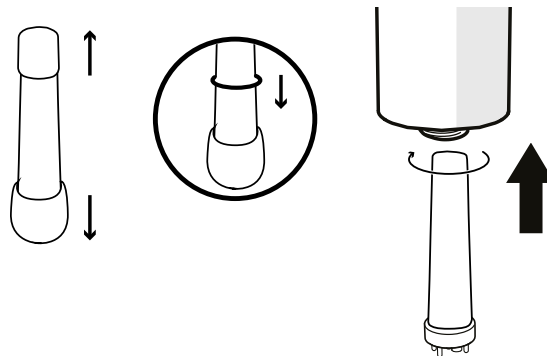


4. Trageți ușor de cele patru vârfuri de plastic ale sondei. Dacă este necesar, puteți folosi cu grijă un clește pentru a îndepărta sonda (vezi zoom). Ștergeți orice apă reziduală și mențineți dispozitivul în poziție verticală. Asigurați-vă că îndepărtați sigiliul și aruncați-l (ar putea fi blocat în interior).



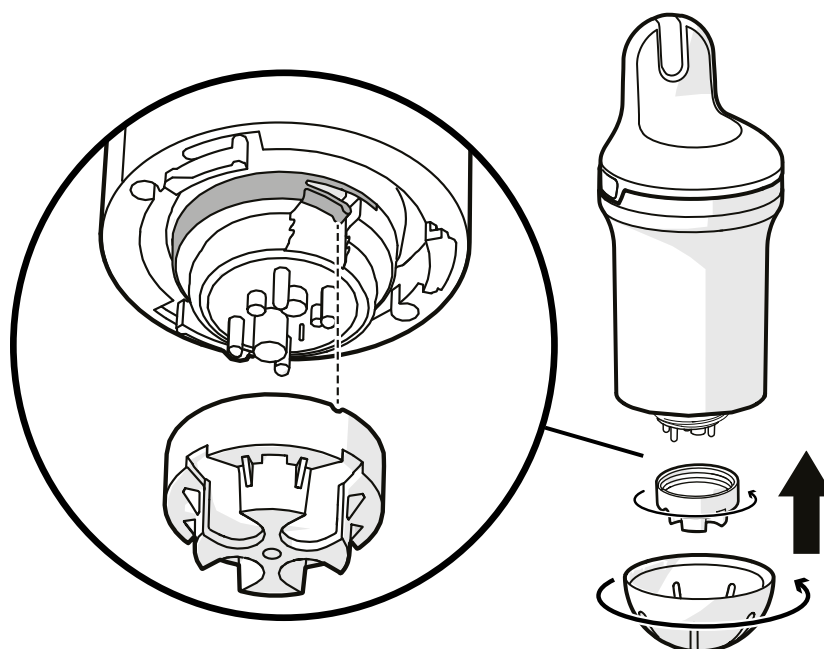
5. Scațați codul QR al noii sonde

6. Scoateți capacul de protecție de pe noua sondă. Puneți noul sigiliu pe noua sondă. Introduceți sonda și rotiți-o până când este amplasată corect.

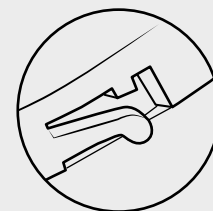


- Aveți grijă să nu scăpați sonda deoarece este foarte fragilă.
- NU folosiți unelte și NU atingeți zonele de detectare ale sondei atunci când o instalați pentru a evita deteriorarea acestora.
- Acești pași trebuie efectuați cât mai repede posibil pentru a evita ca dispozitivul să fie deschis prea mult timp.

7. Înșurubați ferm capacul sondei pe dispozitiv până când se fixează în poziție (vezi zoom). Puteți folosi partea inferioară a bazei de depozitare pentru a o strânge. Apoi, instalați capacul senzorului și puneți dispozitivul Blue Connect înapoi în apă.



**Capacul sondei trebuie să fie înșurubat astfel încât urechea mică să se fixeze în poziție, așa cum este indicat. În caz contrar, produsul poate fi deteriorat.**



Poate dura câteva ore pentru ca senzorul să-și stabilizeze parametrii după prima scufundare în piscină

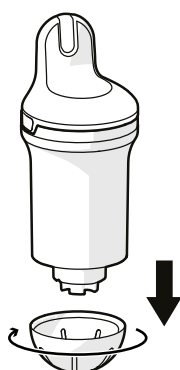
## Depozitarea pe timp de iarnă

Pentru a vă menține dispozitivul în stare bună de funcționare, trebuie să îl depozitați corespunzător pentru iarnă, punându-l în modul de iarnă. Asigurați-vă că este complet încărcat înainte de a urma procedura de mai jos.

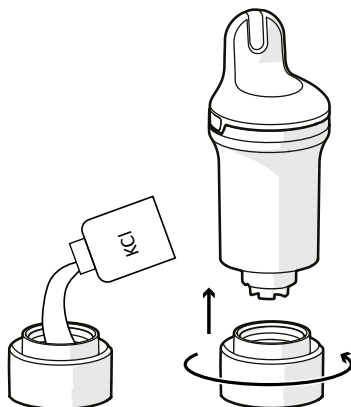
### Modul de iarnă

Trebuie să puneți dispozitivul în modul de iarnă înainte de a-l depozita pentru iarnă. **Modul de iarnă nu poate fi activat dacă dispozitivul se încarcă.**

1. Scoateți dispozitivul Blue Connect din apă. Scoateți capacul senzorului.



2. Asigurați-vă că Internetul (Wi-Fi sau 4G) și Bluetooth® sunt activate pe smartphone-ul dumneavoastră. Stați aproape de dispozitiv pe tot parcursul procesului de standby.
3. Puneți dispozitivul în modul de iarnă- în aplicație, selectați produsul, căutați modul de iarnă și urmați pașii recomandați.
4. Clătiți baza de depozitare cu apă curată și ștergeți-o. Puneți KCl (clorură de potasiu saturată) sau pH4 (sau, ca ultimă soluție, apă) în baza de depozitare și înșurubați-o.



KCl prezentă în baza de depozitare poate provoca formarea de sare aglomerată la îmbinarea cu corpul dispozitivului, dar acest lucru nu este periculos în niciun caz. Pur și simplu clătiți cu apă curată.

5. Validați modul de iarnă și păstrați dispozitivul Blue Connect protejat de îngheț.

## Depozitare

Dacă trebuie să scoateți dispozitivul Blue Connect din piscină pentru mai mult de o oră, instalați baza de depozitare cu KCl (clorură de potasiu saturată), pH4 sau, ca ultimă soluție, apă din piscină, deoarece sonda nu trebuie lăsată uscată.

## Reactivați după depozitarea pe timp de iarnă

Pentru a reactiva dispozitivul Blue Connect după depozitarea pe timp de iarnă, pur și simplu conectați-l pentru a încărca bateria. Acest lucru trezește dispozitivul.

## 7. DEPANAREA

PROBLEMA	SOLUȚIA
Conectarea a eșuat	Nu confundați literele și cifrele (de exemplu, B și 8, I și 1 etc.) în codul de acces.
Măsurătorile nu sunt corecte.	<ul style="list-style-type: none"> <li>• Verificați calibrarea senzorului.</li> <li>• Bulele de aer pot distorsiona măsurătorile. Mișcați dispozitivul încet pentru a încerca să eliminați bulele.</li> </ul>
Măsurători ciudate (pH și ORP)	Bulele de pe sondă pot fi cauza. Scuturați dispozitivul sub apă pentru a scăpa de bule și măsurați din nou.
Întoarceți dispozitivul cu susul în jos pentru a obține o verificare a stării și nu se întâmplă nimic	<ul style="list-style-type: none"> <li>• Întoarceți dispozitivul încet, asigurați-vă că îl țineți cu susul în jos timp de cel puțin 1 secundă.</li> <li>• Conectați-l la priză pentru a-l încărca.</li> </ul> <p>Dacă LED-ul tot nu se aprinde, contactați vânzătorul.</p>
Dispozitivul nu se încarcă (niciun LED albastru)	<ul style="list-style-type: none"> <li>• Verificați încărcătorul</li> <li>• Verificați cablul USB-C</li> </ul> <p>Dacă dispozitivul tot nu se încarcă, contactați vânzătorul.</p>
Când doriți să vă conectați dispozitivul prin Bluetooth, dispozitivul nu este detectat și nu apare în lista de dispozitive.	<ul style="list-style-type: none"> <li>• Verificați dacă bluetooth-ul este activ pe smartphone-ul dumneavoastră</li> <li>• Verificați dacă dispozitivul nu este deja conectat la un alt smartphone</li> <li>• Încărcați dispozitivul</li> </ul> <p>Dacă dispozitivul tot nu se încarcă, contactați vânzătorul.</p>
Nu vedeți culoarea stării apei după ce ați răsturnat produsul.	<ul style="list-style-type: none"> <li>• Verificați într-o zonă mai întunecată sau creând o umbră cu mâna</li> <li>• Încărcați dispozitivul</li> </ul>
Trebuie să reîncărcați des dispozitivul	<ul style="list-style-type: none"> <li>• Verificați calitatea semnalului Wi-Fi</li> <li>• Încercați să lăsați dispozitivul în alt loc în piscină</li> <li>• Instalați un amplificator Wi-Fi aproape de piscină</li> </ul>
Datele raportate sunt complet în afara intervalului	Verificați dacă sonda este prezentă, dacă piulița este înșurubată strâns și dacă martorul de înșurubare este în poziție.
Condensul apare în zona LED	Este normal și nu afectează funcționarea produsului. Condensul va dispărea după depozitarea corectă a produsului timp de peste 6 zile.
Produsul nu se conectează la Wi-Fi	Mutați produsul mai aproape de routerul Wi-Fi.
Nu efectuează măsurători după prima instalare sau după depozitarea pe perioada iernii	Senzorul este prea uscat. Lăsați senzorul în apă timp de 24 de ore, apoi calibrați și verificați dacă senzorul funcționează corect.

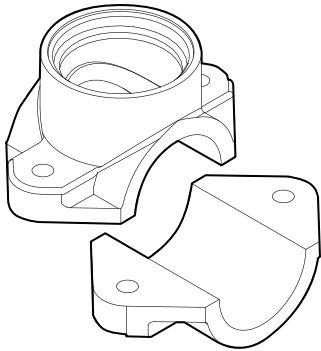
## 8. PREZENTAREA BLUE FIT50

Blue Fit50 este o clemă pentru furtun compatibilă cu dispozitivul Blue Connect. Vă permite să instalați dispozitivul Blue Connect pe țeava din camera tehnică.



Blue Fit50 este un accesoriu al dispozitivului Blue Connect. Acesta se vinde separat.

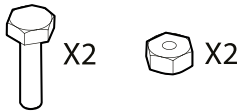
## 9. DESCRIEREA BLUE FIT50



**O clemă pentru furtun**



**Un capac filetat**



**Două șuruburi și piulițe**

### Precauții pentru utilizare

- Nu lăsați dispozitivul Blue Connect pe Blue Fit50 când nu există apă în țevi.
- În cazul manipulării pe circuitul hidraulic (risc de lovitură de berbec), este indicat să scoateți dispozitivul Blue Connect pentru a nu deteriora produsul.
- Asigurați-vă că creați un debit suficient în instalația dumneavoastră, astfel încât dispozitivul Blue Connect să poată face măsurători.
- Așezați întotdeauna dispozitivul Blue Connect vertical, cu sonda în jos.
- Nu încărcați dispozitivul Blue Connect când este instalat pe Blue Fit50. Scoateți-l înainte de încărcare.
- Nu încărcați încontinuu dispozitivul. Valorile măsurate pot fi incorecte în timpul încărcării.

## 10. INSTALAREA BLUE FIT50

Asigurați-vă că amplasați întotdeauna Blue Fit50 după filtru (pentru a evita deteriorarea sondelor) și înaintea sistemului de injectare a produsului sau a electrolizei (pentru a evita modificarea măsurătorilor realizate de dispozitivul Blue Connect).

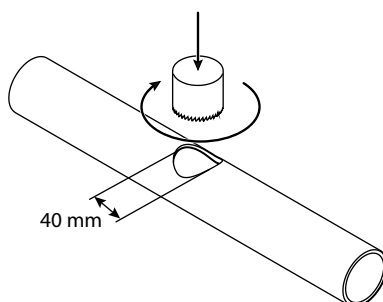
Presiunea maximă admisibilă a apei pentru instalare în țevă este de 300 kPa.

Dacă este necesar, cereți sfatul specialistului de piscine în caz de îndoială.

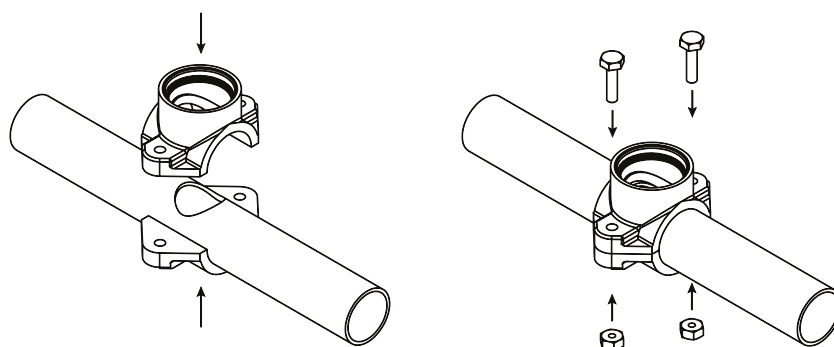
1. Opriți sistemul de filtrare.
2. Cu o carotă cu diametrul de 40 mm, faceți o gaură în partea superioară a țevii.



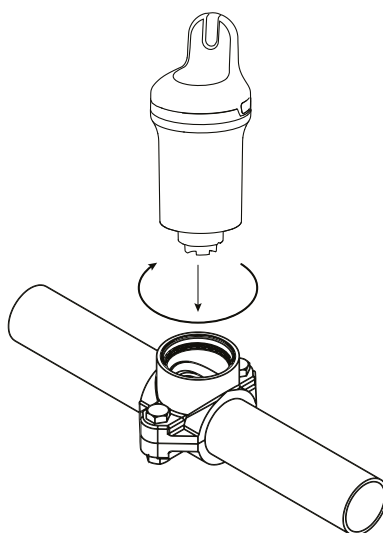
Dispozitivul Blue Connect trebuie să se afle în poziție verticală, cu sonda în jos.



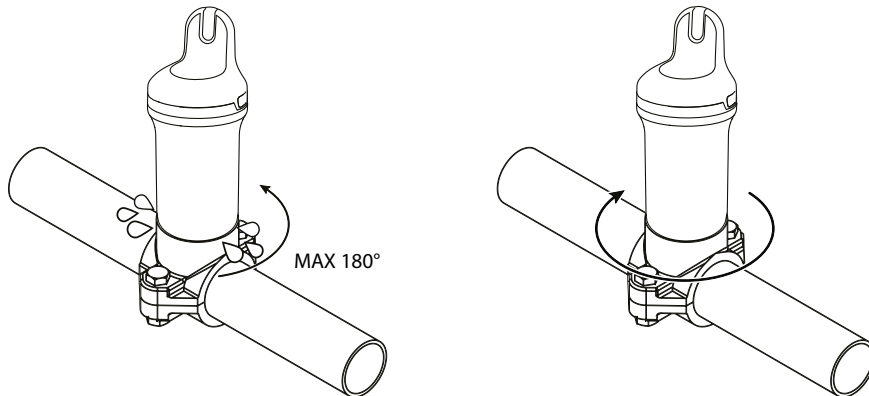
3. Așezați ambele părți ale clemei pentru furtun pe fiecare parte a țevii astfel încât găurile să coincidă și înșurubați clema pentru furtun.



4. Înșurubați dispozitivul Blue Connect pe clema pentru furtun. Marginea superioară a dispozitivului Blue Connect trebuie să fie paralelă cu țeava.



5. Porniți sistemul de filtrare.
6. Deșurubați ușor și încet dispozitivul Blue Connect (rotire de maximum  $\frac{1}{2}$ ) pentru a elimina orice aer. Imediat ce apa iese, înseamnă că nu a mai rămas aer în țevi, și apoi puteți înșuruba strâns dispozitivul Blue Connect din nou.



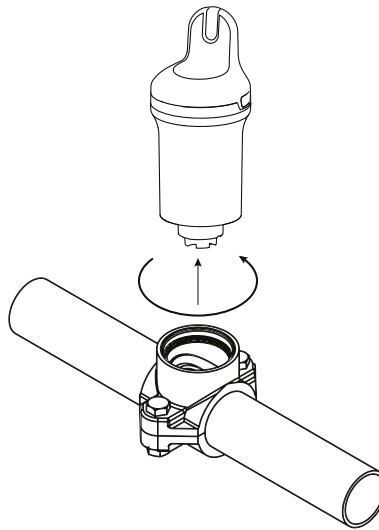
7. În aplicație, selectați produsul și căutați opțiunea activează Blue Fit50 și urmați instrucțiunile.

## 11. DEPOZITAREA PE TIMP DE IARNĂ A BLUE FIT50

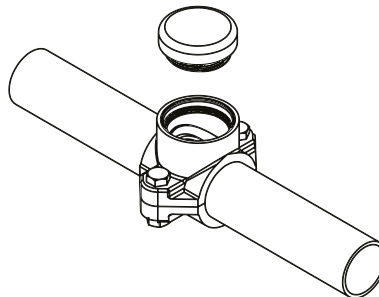
---

Urmați această procedură când vă pregătiți să depozitați dispozitivul Blue Connect pentru iarnă.

1. Opriți pompa de filtrare, închideți supapele și deșurubați dispozitivul Blue Connect.



2. Sigilați clema pentru furtun cu capacul furnizat în cutia Blue Fit50.



3. Urmați procedura pentru depozitarea pe timp de iarnă a dispozitivului Blue Connect (vezi [Depozitarea pe timp de iarnă, pagina 303](#)).

# OBSAH

1. ÚVOD K BLUE CONNECT.....	310
Prehľad.....	310
2. OPIS.....	311
3. INŠTALÁCIA APLIKÁCIE .....	312
Stiahnutie aplikácie.....	312
4. INŠTALÁCIA K BLUE CONNECT .....	312
Nabíjanie.....	312
Párovanie s aplikáciou.....	313
Inštalácia .....	314
5. LED INDIKÁTOR STAVU .....	315
6. ÚDRŽBA.....	316
Kalibrácia pH sondy.....	316
Kalibrácia sondy ORP .....	317
Výmena sondy.....	318
Zazimovanie .....	320
7. RIEŠENIE PROBLÉMOV .....	322
8. ÚVOD K BLUE FIT 50.....	323
9. OPIS BLUE FIT50.....	323
Bezpečnostné opatrenia pre použitie .....	323
10. INŠTALÁCIA BLUE FIT50.....	324
11. ZAZIMOVANIE BLUE FIT50.....	325



**Recyklácia** Tento symbol vyžaduje európska smernica OEEZ 2012/19/EÚ (smernica o odpade z elektrických a elektronických zariadení) a znamená, že vaše zariadenie sa nesmie vyhodiť do bežného odpadu. Zariadenie sa musí selektívne zbierať na účely jeho opätovného použitia, recyklácie alebo transformácie. Ak zariadenie obsahuje látky, ktoré môžu byť škodlivé pre životné prostredie, potom budú takéto látky zneškodnené alebo neutralizované. Informácie o recyklácii získate od svojho predajcu.



- Pred použitím zariadenia je dôležité prečítať si bezpečnostné upozornenia a záručnú príručku dodanú s výrobkom. V opačnom prípade môže dôjsť k vážnemu alebo smrteľnému zraneniu, škodám na majetku a k zániku záruky.
- Tieto dokumenty si uschovajte a odovzdajte na neskoršie nahliadnutie počas celej životnosti zariadenia.
- Akákoľvek distribúcia alebo úprava tohto dokumentu akýmkoľvek spôsobom je bez predchádzajúceho povolenia výrobcu zakázaná.
- Výrobca neustále vyvíja svoje výrobky s cieľom zlepšiť ich kvalitu. Výrobca si vyhradzuje právo úplne alebo čiastočne zmeniť vlastnosti výrobku alebo obsah tohto dokumentu bez predchádzajúceho upozornenia.

## 1. ÚVOD K BLUE CONNECT

---

Blue Connect nepretržite meria základné parametre vášho bazéna (teplota, pH, chlór, vodivosť). Zároveň vás na základe vašej geografickej polohy informuje o vonkajšej teplote a počasí. O výsledkoch tejto analýzy vás potom informuje prostredníctvom oznámení v aplikácii Fluidra Pool (dostupnej na smartfóne a tablete, ktorá je kompatibilná so systémami Android™ a iOS). Ak zariadenie zistí, že niektorý z parametrov nie je správny, dostanete upozornenie a informácie o nápravnom opatrení, ktoré treba vykonať na reguláciu a stabilizáciu tohto parametra, aby sa zachovala zdravá a vyvážená kvalita vody.

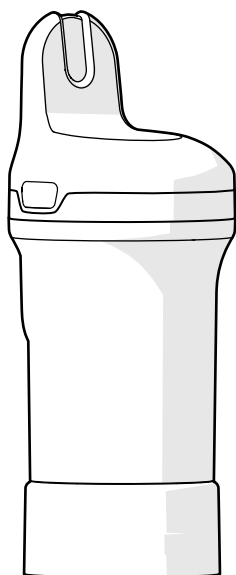
### Prehľad

Blue Connect meria:

- **Teplota vody** (°C): Meria teplotu vody. Zvýšená teplota znižuje účinnosť chlóru a podporuje rozmnožovanie mikroorganizmov.
- **pH** (kyslosť): Meria kyslý alebo zásaditý charakter vody. pH prispieva k účinnosti dezinfekčného prostriedku.
- **ORP/REDOX** (oxidačno-redukčný potenciál/redoxný potenciál): ORP alebo REDOX meria oxidačnú silu vody v mV. Poskytuje informácie o dezinfekčnej sile vody.
- **Vodivosť** (μS): Meria koncentráciu anorganických solí vo vode schopnosťou vody viesť elektrinu (v závislosti od modelu).
- **Slanosť** (g/l): Meria koncentráciu soli rozpustenej vo vode (v závislosti od modelu).

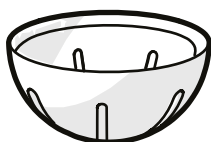
## 2. OPIS

---



**Blue Connect** – dodáva sa s odkladacím stojanom na ochranu sondy počas prepravy. Sonda je ponorená do KCl (nasýtený chlorid draselný), čo zabezpečuje jej ochranu.

**Odkladací stojan** – používa sa na prepravu sondy z vody alebo na udržanie snímačov ponorených počas dlhšieho skladovania (napríklad pri nabíjaní alebo v zime).

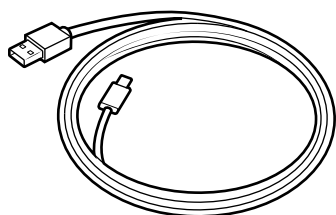


**Kryt snímača** – musí byť vždy namontovaný na zariadení pred vložením do vody. Chráni senzory pred poškodením.



**Šnúra** – slúži na pripevnenie zariadenia k bodu pripevnenia (voliteľná výbava).

Možno budete musieť použiť malé kliešte na vloženie do otvoru na bočnej strane výrobku.

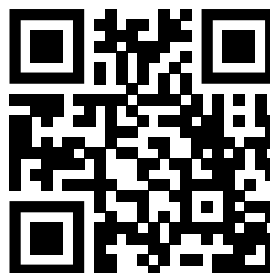


**Kábel USB-C** – slúži na nabíjanie

### 3. INŠTALÁCIA APLIKÁCIE

#### Stiahnutie aplikácie

Stiahnite si aplikáciu Fluidra Pool a podľa pokynov vytvorte si účet a nastavte bazén.



### 4. INŠTALÁCIA K BLUE CONNECT

Na sprevádzkovanie zariadenia Blue Connect je potrebné vykonať tieto kroky:

- nabite zariadenie,
- spárujte zariadenie s aplikáciou Fluidra Pool,
- nainštalujte kryt snímača a vložte ho do bazéna.

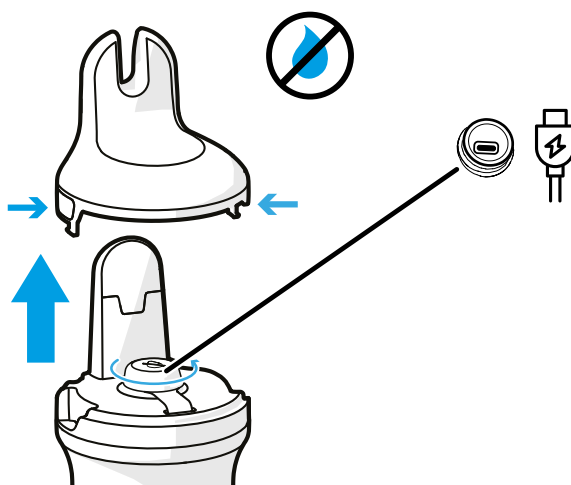
#### Nabíjanie



- Pred použitím zariadenia ho musíte úplne nabiť. Vždy ho nabíjajte vo zvislej polohe pomocou odkladacieho stojana naplneného roztokom KCl alebo vodou.
- Počas nabíjania sa môžu namerať nesprávne hodnoty (pH, ORP). Tieto hodnoty namerané počas nabíjania neberte do úvahy.

Postup nabíjania Blue Connect:

1. **Zariadenie Blue Connect dôkladne vysušte**, potom demontujte horný kryt jeho stlačením na každej strane a potiahnutím nahor.
2. Odskrutkujte kryt nabíjacieho portu a pripojte kábel USB-C k zariadeniu a k zdroju napájania, aby ste ho mohli nabiť.



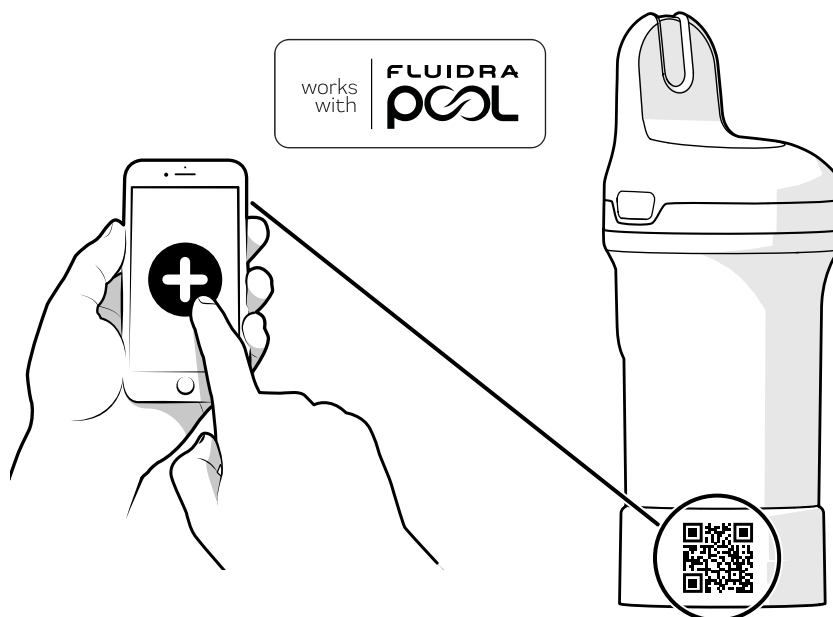


**Nabíjací port musí byť pred nabíjaním suchý. Manipulujte so zariadením suchými rukami na v priestoroch bez vlhkosti.**

3. Po nabití **pevne zatvorte nabíjací port** a dajte horný kryt späť na zariadenie Blue Connect

## Párovanie s aplikáciou

Otvorte aplikáciu Fluidra Pool, kliknite na položku **Add equipment (Pridať zariadenie)** spárujte zariadenie Blue Connect. QR kód, ktorý sa používa na párovanie, je umiestnený na odkladacom stojane a pod horným krytom, ktorý sa demontuje na účely nabíjania.

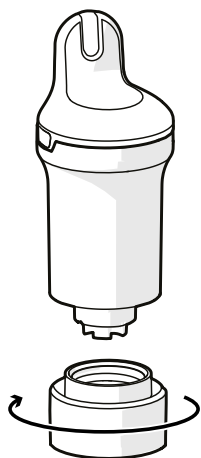


Po pripojení k aplikácii budete v aplikácii upozornení, ak sú k dispozícii prípadné aktualizácie firmvéru. Pri aktualizácii výrobku postupujte podľa pokynov v aplikácii.

## Inštalácia

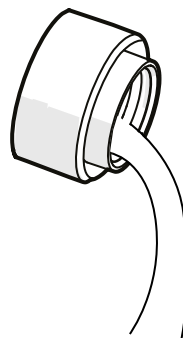
Pred použitím musíte odmontovať odkladací stojan a nainštalovať kryt snímača.

1. Postavte zariadenie Blue Connect do zvislej polohy a odskrutkujte odkladací stojan.

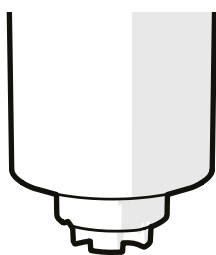


2. Vypustite odkladací stojan a opláchnite ho v čistej vode. Odložte ho bokom.

**POZNÁMKA:** Odkladací stojan uschovajte na bezpečnom mieste pre neskoršie použitie.



3. Opláchnite sondu čistou vodou.

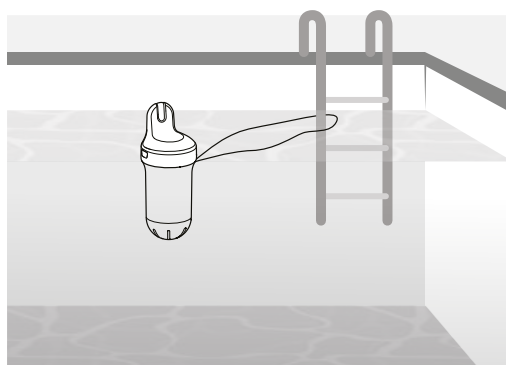


4. Naskrutkujte kryt snímača na ochranu sond.



5. Vložte zariadenie Blue Connect do bazéna a nechajte ho plávať vo vode. V prípade potreby ho môžete zaistiť upevnením k bodu pripojenia pomocou šnúry.

Skontrolujte, či je zariadenie vo vertikálnej polohe a či jeho horná časť vyčnieva z vody, aby bola umožnená správna komunikácia.

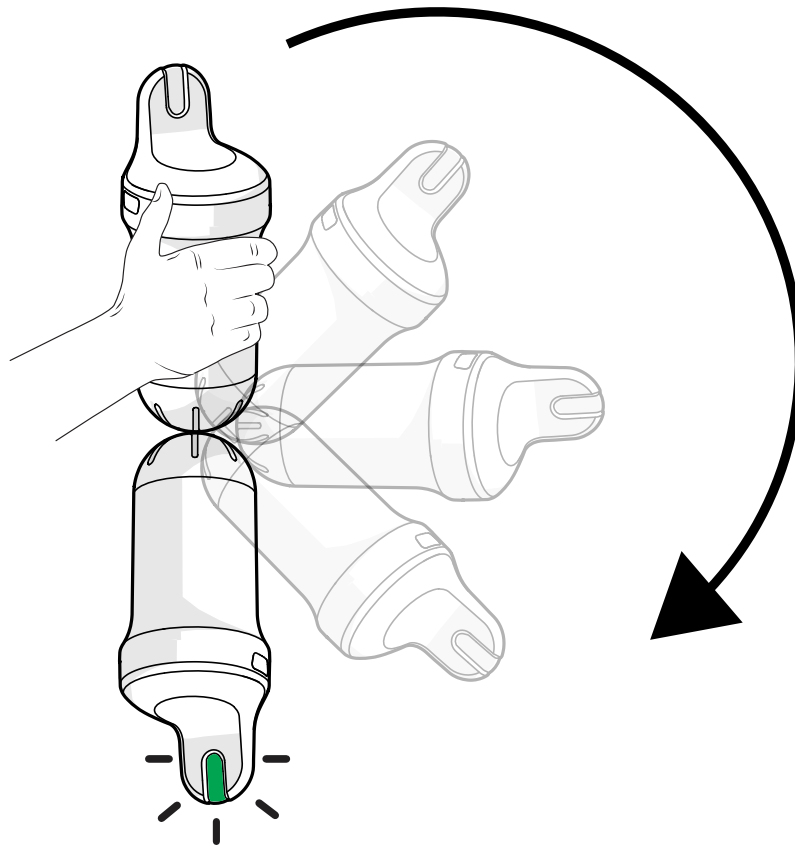


**V prípade bazénov s krytým bazéna sa pri jeho zatváraní neodporúča používať šnúru na pripevnenie zariadenia Blue Connect. Ak je zariadenie upevnené, môže sa ponoriť do vody a dôjsť k strate konektivity.**

## 5. LED INDIKÁTOR STAVU

LED indikátor na výrobku informuje o kvalite vody, stave batérie a nabíjaní.

Ak chcete skontrolovať stav vody/batérie priamo na zariadení (namiesto zobrazenia v aplikácii), vyberte ho z vody a otočte hore dnom, ako je znázornené. V polohe hore dnom ho musíte podržať aspoň 1 sekundu. Zariadenie Blue Connect vydá zvukový signál a rozsvieti sa LED indikátor (pozri tabuľku so stavmi LED indikátorov nižšie).



STAV	LED INDIKÁTOR STAVU / ZVUKOVÝ SIGNÁL	OPIS
Nabíjanie	Pomaly blikajúca modrá / 1 zvukový signál	Nabíjanie
	Nepretržite svietiaci modrá	Nabité (plne)
Neaktivované	Nesvieti	Zariadenie nie je aktivované
Rýchla kontrola stavu (Pozri vysvetlenie nižšie)	3 červené bliknutia / 3 zvukové signály	Nízka úroveň nabitia batérie
	Nepretržite svietiaci zelená 5 s / 1 zvukový signál	Voda je v poriadku
	Nepretržite svietiaci oranžová 5 s / 1 zvukový signál	Voda nie je v poriadku  (musí sa skontrolovať a upraviť kvalita vody. Ďalšie informácie nájdete v aplikácii Fluidra Pool.)
Aktualizácia firmvéru	Nepretržite svietiaci biela 5 s / 1 zvukový signál	Žiadny stav vody, zariadenie je zapnuté
	Rýchlo blikajúca modrá / 1 zvukový signál	

## 6. ÚDRŽBA

Všetky úkony údržby sa musia vykonávať pomocou aplikácie Fluidra Pool.

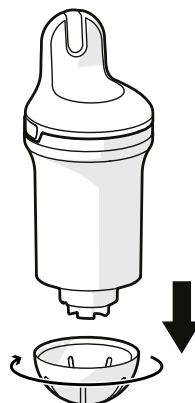


- Kalibračné výrobky sú určené len na jednorazové použitie. Nikdy ich nepoužívajte dvakrát. Ak potrebujete nový, obráťte sa na predajcu.
- Kalibrácia sa nesmie vykonávať počas nabíjania zariadenia.

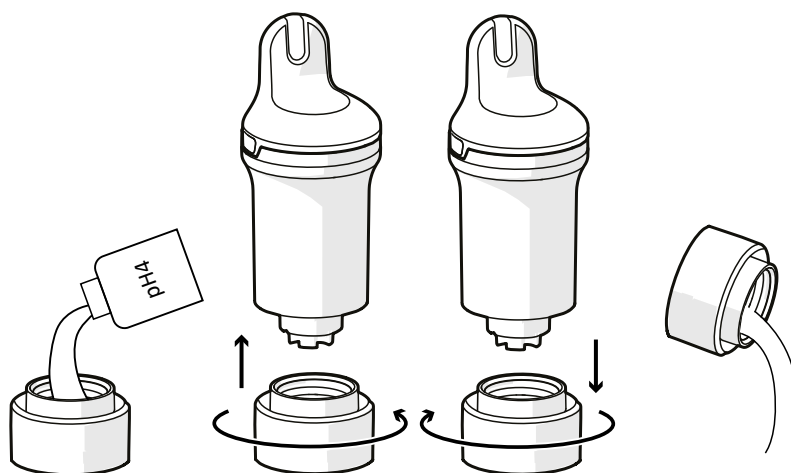
### Kalibrácia pH sondy

Kalibrácia pH sondy by sa mala vykonávať raz za sezónu. Je potrebné mať kalibračnú súpravu – ďalšie informácie vám poskytne miestny predajca. Pri prvej inštalácii ju nepotrebujete.

1. Vytiahnite zariadenie z vody, demontujte kryt snímača a opláchnite sondu v čistej vode.



2. Opláchnite odkladací stojan čistou vodou a utrite ho do sucha.
3. Skontrolujte, či je v smartfóne aktivovaná funkcia Bluetooth®. Počas celej kalibrácie zostaňte v blízkosti zariadenia.
4. V aplikácii vyberte výrobok, vyhľadajte časť venovanú kalibrácii sondy a postupujte podľa pokynov.
5. Nalejte roztok pH4 do odkladacieho stojana a naskrutkujte ho na zariadenie. Postupujte podľa pokynov v aplikácii.
6. Po meraní pH4 odskrutkujte odkladací stojan a sondu opláchnite. Vyprázdňte stojan, opláchnite ho čistou vodou a utrite.



7. Opakujte krok 5 s použitím roztoku pH7.



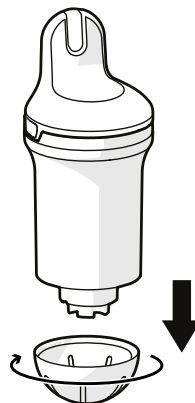
Po použití kalibračného výrobku vždy očistite sondu a odkladací stojan čistou vodou, aby sa nezmiešali.

8. Overte kalibráciu.
9. Nainštalujte kryt snímača na zariadenie Blue Connect a vložte ho späť do bazéna.

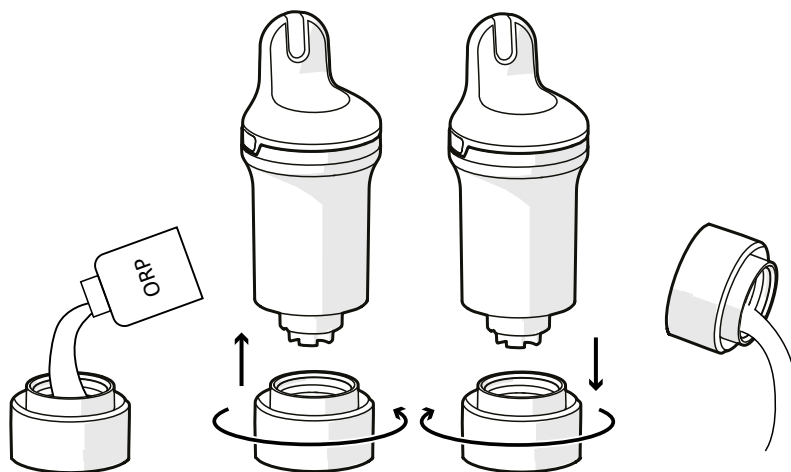
## Kalibrácia sondy ORP

Kalibrácia sondy ORP by sa mala vykonávať raz za sezónu. Je potrebné mať kalibračnú súpravu – ďalšie informácie vám poskytne miestny predajca. Pri prvej inštalácii ju nepotrebujete.

1. Vytiahnite zariadenie z vody, demontujte kryt snímača a opláchnite sondu v čistej vode.



2. Opláchnite odkladací stojan čistou vodou a utrite ho do sucha.
3. Skontrolujte, či je v smartfóne aktivovaná funkcia Bluetooth®. Počas celej kalibrácie zostaňte v blízkosti zariadenia.
4. V aplikácii vyberte výrobok, vyhľadajte časť venovanú kalibrácii sondy a postupujte podľa pokynov.
5. Nalejte roztok ORP do odkladacieho stojana a naskrutkujte ho na zariadenie. Postupujte podľa pokynov v aplikácii.
6. Po meraní ORP odskrutkujte odkladací stojan a sondu opláchnite. Vyprázdňte stojan, opláchnite ho čistou vodou a utrite.



- Po použití kalibračného výrobku vždy očistite sondu a odkladací stojan čistou vodou, aby sa nezmiešali.
- Po kalibrácii ORP/redox môže chvíľu trvať, kým sa dosiahnu správne merania. Pred meraním v bazéne počkajte aspoň 6 hodín.

7. Overte kalibráciu.
8. Nainštalujte kryt snímača na zariadenie Blue Connect a vložte ho späť do bazéna.

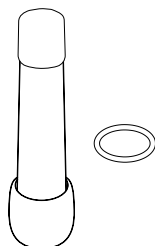
## Výmena sondy

Sonda sa musí vymieňať približne každé dva roky. Ak potrebujete novú sondu, obráťte sa na predajcu.



- Ak chcete zabezpečiť maximálnu životnosť sondy, uchovávajte ju čo najdlhšie vo vlhkom prostredí. Ak zariadenie vyberiete z vody, musíte nainštalovať odkladací stojan s KCl (nasýtený chlorid draselný), pH4 alebo v krajnom prípade bazénovou vodou.
- Nízke pH (v rámci správnych parametrov bazéna) predlžuje životnosť sondy.
- Pri výmene sondy zabezpečte, aby výrobok nezostal otvorený príliš dlho, pretože vysušadlo môže absorbovať vlhkosť a po uzavretí sa táto vlhkosť uvoľní vo výrobku.

### Súprava na výmenu sondy

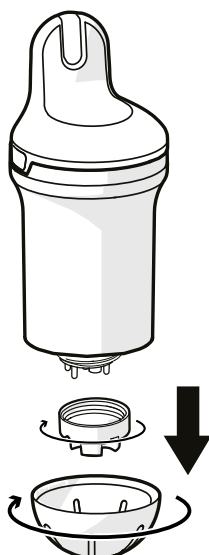


### Inštalácia



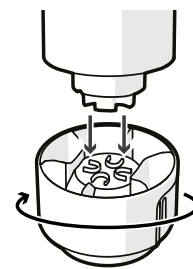
**Dôrazne odporúčame vykonávať tento postup s výrobkom v zvislej polohe, aby sa do zariadenia nedostala voda.**

1. V aplikácii vyberte výrobok, vyhľadajte časť venovanú výmene sondy a postupujte podľa pokynov.
2. Vyberte zariadenie Blue Connect z vody. Utrite zariadenie do sucha a začnite postup na suchom a čistom mieste.
3. Demontujte kryt snímača a kryt sondy.

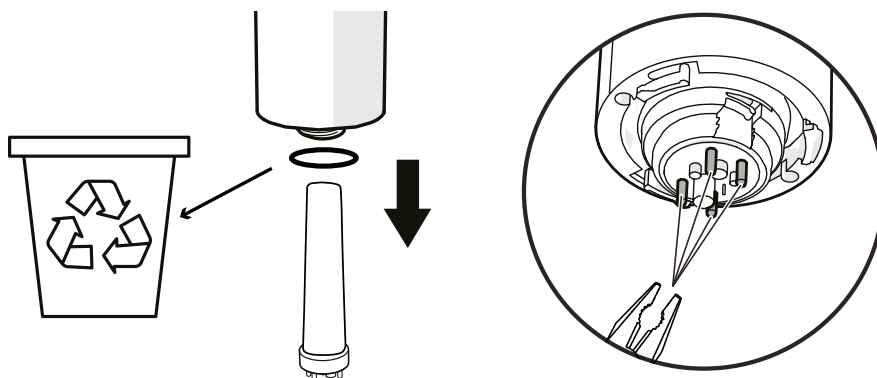




V prípade potreby môžete na odskrutkovanie krytu sondy použiť spodnú stranu odkladacieho stojanu.

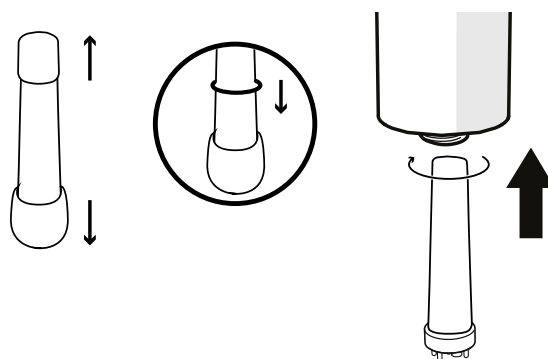


4. Jemne potiahnite štyri plastové hroty sondy. V prípade potreby môžete sondu jemne vybrať pomocou klieští (pozri zväčšenie). Utrite zvyšky vody a držte zariadenie v zvislej polohe. Nezabudnite odobrať tesnenie a vyhodiť ho (môže byť zaseknuté vo vnútri).



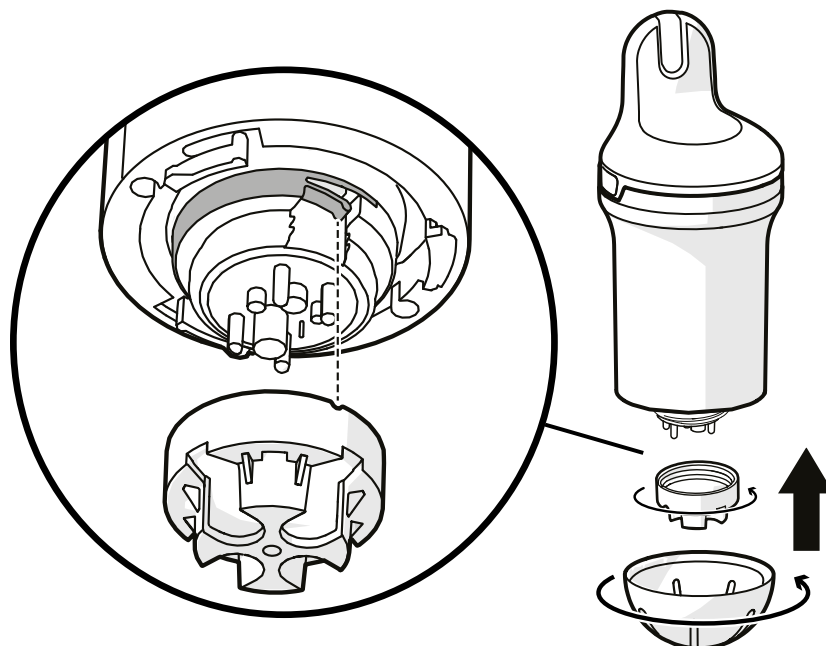
5. Naskenujte QR kód novej sondy.

6. Demontujte ochranný kryt na novej sonde. Nasadte nové tesnenie na novú sondu. Vložte sondu a otáčajte ňou, kým nebude v správnej polohe.

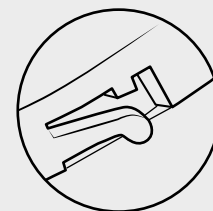


- Dajte pozor, aby vám sonda nepadla, pretože je veľmi krehká.
- Pri inštalácii **NEPOUŽÍVAJTE** žiadne nástroje a **NEDOTÝKAJTE** sa snímacích oblastí sondy, aby ste predišli jej poškodeniu.
- Tieto kroky by sa mali vykonať čo najrýchlejšie, aby zariadenie nebolo príliš dlho otvorené.

7. Pevne naskrutkujte kryt sondy na zariadenie, kým nezacvakne na miesto (pozri priblíženie). Na jeho dotiahnutie môžete použiť spodnú stranu odkladacieho stojanu. Potom nainštalujte kryt snímača a vložte zariadenie Blue Connect späť do vody.



Kryt sondy musíte naskrutkovať tak, aby malý výstupok zacvakol na miesto, ako je znázornené na obrázku. V opačnom prípade sa môže výrobok poškodiť.



Po prvom ponorení do bazéna môže trvať niekoľko hodín, kým sa stabilizujú parametre snímača

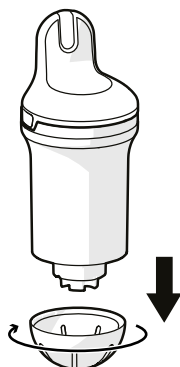
## Zazimovanie

Na zachovanie dobrého funkčného stavu zariadenia ho musíte na zimu správne uskladniť tak, že ho uvediete do zimného režimu. Pred vykonaním nižšie uvedeného postupu ho plne nabite.

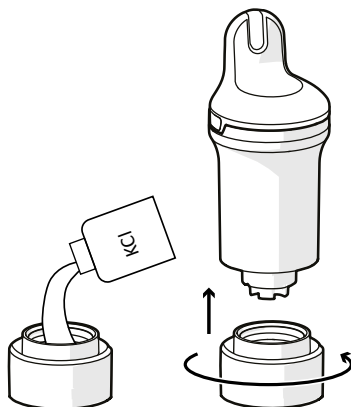
### Zimný režim

Pred uskladnením na zimu musíte zariadenie uviesť do zimného režimu. **Zimný režim nemožno aktivovať, ak sa zariadenie nabíja.**

1. Vyberte zariadenie Blue Connect z vody. Demontujte uzáver snímača.



2. Presvedčte sa, či sú v smartfóne povolené funkcie internet (Wi-Fi alebo 4G) a Bluetooth®. Počas celej doby pohotovostného režimu zostaňte v blízkosti zariadenia.
3. Prepnite zariadenie do zimného režimu – v aplikácii vyberte svoj výrobok, vyhľadajte zimný režim a postupujte podľa pokynov.
4. Opláchnite odkladací stojan čistou vodou a utrite ho. Nalejte KCl (nasýtený chlorid draselný) alebo pH4 (alebo v krajnom prípade vodu) do odkladacieho stojana a zaskrutkujte ho.



Z KCl v odkladacom stojane sa na spoji s telom zariadenia môžu vytvoriť usadeniny soli, čo však v žiadnom prípade nie je nebezpečné. Stačí ju opláchnuť čistou vodou.

5. Potvrďte zimný režim a zariadenie Blue Connect skladujte na mieste chránenom pred mrazom.

## Skladovanie

Ak potrebujete vybrať zariadenie Blue Connect z bazéna na dlhšie ako hodinu, nainštalujte ho na odkladací stojan s KCl (nasýtený chlorid draselný), pH4 alebo v krajnom prípade bazénovou vodou, pretože sonda by nemala zostať suchá.

## Opätovná aktivácia po zazimovaní

Na opätovnú aktiváciu Blue Connect po zazimovaní ho stačí zapojiť do siete, aby sa nabila batéria. Tým sa zariadenie prebudí.

## 7. RIEŠENIE PROBLÉMOV

PROBLÉM	RIEŠENIE
Párovanie zlyhalo	Nezamietajte si v prístupovom kóde písmená a čísla (napr. B a 8, I a 1 atď.).
Merania nie sú správne.	<ul style="list-style-type: none"> <li>• Skontrolujte kalibráciu snímača.</li> <li>• Merania môžu byť skreslené vzduchovou bublinou. Zariadenie pomaly premiestnite, aby ste sa pokúsili odstrániť bubliny.</li> </ul>
Nepravdivé merania (pH a ORP)	Príčinou môžu byť bublinky na sonde. Zatraste zariadením pod vodou, aby ste ho zbavili bubliniek, a vykonajte opätovné meranie.
Pri otočení zariadenia hore dnom pre kontrolu stavu sa nič neudeje.	<ul style="list-style-type: none"> <li>• Pomaly otočte zariadenie, nezabudnite ho držať hore dnom aspoň 1 sekundu.</li> <li>• Zapojte ho, aby sa nabilo.</li> </ul> <p>Ak sa LED indikátor aj tak nerozsvieti, obráťte sa na predajcu.</p>
Zariadenie sa nenabíja (modrý LED indikátor nesvieti).	<ul style="list-style-type: none"> <li>• Skontrolujte nabíjačku.</li> <li>• Skontrolujte kábel USB-C.</li> </ul> <p>Ak sa zariadenie aj tak nenabíja, obráťte sa na predajcu.</p>
Keď chcete pripojiť zariadenie v rozhraní Bluetooth, zariadenie nie je rozpoznané a nezobrazí sa v zozname zariadení	<ul style="list-style-type: none"> <li>• Skontrolujte, či je v smartfóne aktívne rozhranie Bluetooth.</li> <li>• Skontrolujte, či zariadenie už nie je pripojené k inému smartfónu.</li> <li>• Nabite zariadenie.</li> </ul> <p>Ak sa zariadenie aj tak nenabíja, obráťte sa na predajcu.</p>
Po prevrátení výrobku nevidíte farbu stavu vody	<ul style="list-style-type: none"> <li>• Skontrolujte v tmavšom priestore alebo vytvorte tieň rukou.</li> <li>• Nabite zariadenie.</li> </ul>
Zariadenie sa musí často nabíjať.	<ul style="list-style-type: none"> <li>• Skontrolujte kvalitu signálu Wi-Fi.</li> <li>• Skúste ponechať zariadenie na inom mieste v bazéne.</li> <li>• Nainštalujte pri bazéne opakovač Wi-Fi.</li> </ul>
Hlásené údaje sú úplne mimo rozsahu.	Skontrolujte, či je prítomná sonda, či je matica pevne naskrutkovaná a či je vidieť indikátor správneho zaskrutkovania.
Kondenzácia sa objavuje v oblasti LED	Je to normálne a neovplyvňuje to funkčnosť produktu. Kondenzácia zmizne po správnom uskladnení produktu na viac ako 6 dní.
Produkt sa nepripája k Wi-Fi	Presuňte produkt bližšie k Wi-Fi routeru.
Pri prvej inštalácii alebo po zazimovaní sa merania nevykonávajú	Snímač je príliš suchý. Ponorte snímač do vody na 24 hodín, potom ho kalibrujte a skontrolujte, či funguje správne.

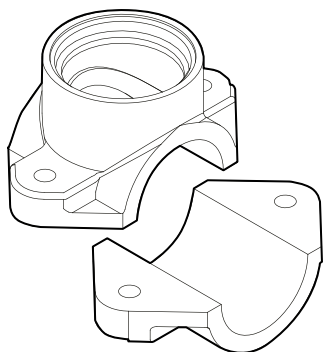
## 8. ÚVOD K BLUE FIT 50

Blue Fit50 je hadicová svorka kompatibilná so zariadením Blue Connect. Umožňuje inštalovať zariadenie Blue Connect na potrubie v technickej miestnosti.



Blue Fit50 je príslušenstvom k zariadeniu Blue Connect. Predáva sa samostatne.

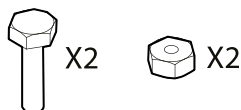
## 9. OPIS BLUE FIT50



**Jedna hadicová svorka**



**Jeden závitový uzáver**



**Dve skrutky a svorníky**

### Bezpečnostné opatrenia pre použitie

- Nenechávajte zariadenie Blue Connect na Blue Fit50, keď v potrubí nie je voda.
- Pri práci na hydraulickom okruhu (riziko vodného rázu) sa odporúča zariadenie Blue Connect demontovať, aby sa výrobok nepoškodil.
- Zabezpečte dostatočný prietok v inštalácii, aby zariadenie Blue Connect mohlo vykonať merania.
- Zariadenie Blue Connect vždy umiestňujte vo zvislej polohe sondou smerom nadol.
- Zariadenie Blue Connect nenabíjajte, ak je nainštalované na Blue Fit50. Pred nabíjaním ho demontujte.
- Zariadenie nenabíjajte nepretržite. Počas nabíjania môžu byť namerané hodnoty nesprávne.

## 10. INŠTALÁCIA BLUE FIT50

Blue Fit50 vždy namontujte za filter (aby ste predišli poškodeniu sond) a pred systém vstrekovania produktu alebo elektrolyzu (aby ste predišli zmenám v meraniach vykonaných zariadením Blue Connect).

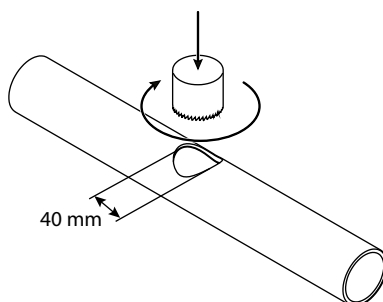
Maximálny prípustný tlak vody pre inštaláciu v potrubí je 300 kPa.

Ak máte pochybnosti, radšej sa prípadne poraďte so špecialistom na bazény.

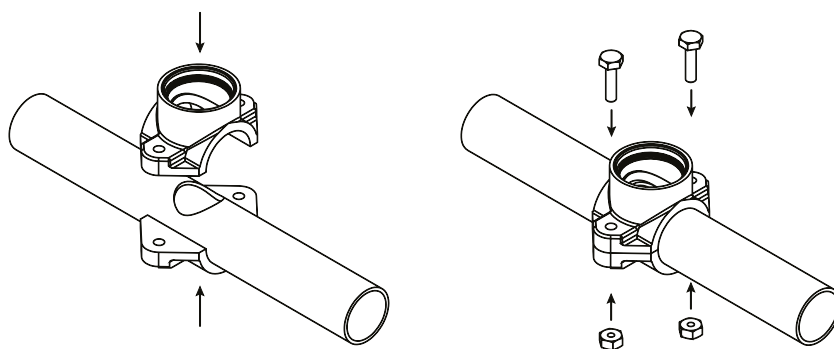
1. Vypnite filtračný systém.
2. Pomocou dierovacej píly s priemerom 40 mm vyvrtajte otvor do hornej časti rúry.



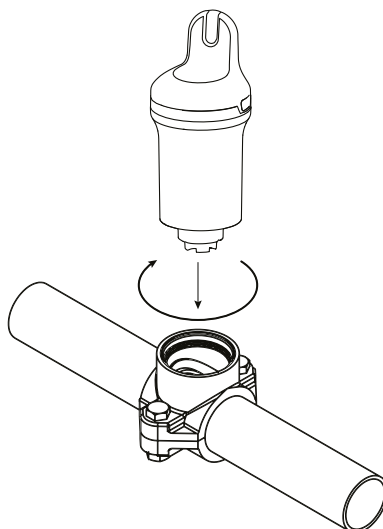
Blue Connect musí byť v zvislej polohe so sondou smerom nadol.



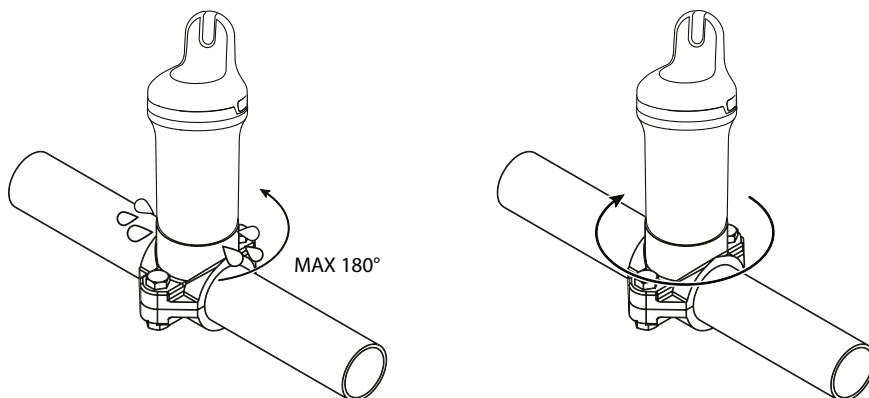
3. Nasadte obe časti hadicovej svorky na každú stranu potrubia tak, aby sa otvory zhodovali, a hadicovú svorku zaskrutkujte.



4. Naskrutkujte zariadenie Blue Connect na hadicovú svorku. Horný okraj zariadenia Blue Connect by mal byť v rovine rovnobežnej s potrubím.



5. Zapnite filtračný systém.
6. Mierne a pomaly odskrutkujte zariadenie Blue Connect (maximálne ½ otáčky), aby ste vypustili všetok vzduch. Len čo začne vytekať voda, znamená to, že v potrubí už nie je žiadny vzduch, a potom môžete zariadenie Blue Connect opätovne utiahnuť.



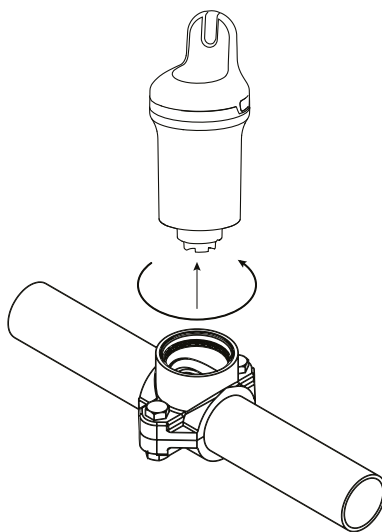
7. V aplikácii vyberte výrobok a vyhľadajte možnosť aktivovať Blue Fit50 a postupujte podľa pokynov.

## 11.ZAZIMOVANIE BLUE FIT50

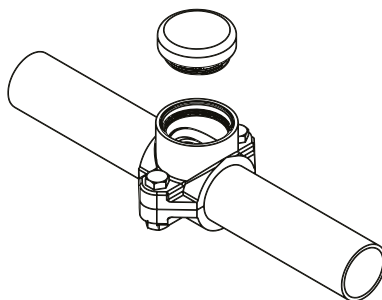
---

Pri príprave na uskladnenie zariadenia Blue Connect na zimu sa riadte týmto postupom.

1. Vypnite filtračné čerpadlo, zatvorte ventily a odskrutkujte zariadenie Blue Connect.



2. Uzavrite hadicovú svorku pomocou uzáveru, ktorý je súčasťou balenia Blue Fit50.



3. Postupujte podľa postupu pre zazimovanie zariadenia Blue Connect (pozri [Zazimovanie, strana 320](#)).

## СЪДЪРЖАНИЕ

1. BLUE CONNECT ВЪВЕДЕНИЕ .....	327
Преглед .....	327
2. ОПИСАНИЕ .....	328
3. ИНСТАЛИРАНЕ НА ПРИЛОЖЕНИЕТО .....	329
Изтегляне на приложението.....	329
4. BLUE CONNECT ИНСТАЛИРАНЕ.....	329
Зареждане .....	329
Сдвояване с приложението.....	330
Инсталиране .....	331
5. СВЕТОДИОД ЗА СЪСТОЯНИЕ .....	332
6. ПОДДРЪЖКА .....	333
Калибриране на pH сондата.....	333
Калибриране на ORP сондата.....	334
Смяна на сондата .....	335
Зазимяване .....	337
7. ОТСТРАНЯВАНЕ НА НЕИЗПРАВНОСТИ .....	339
8. BLUE FIT50 ВЪВЕДЕНИЕ .....	340
9. BLUE FIT50 ОПИСАНИЕ .....	340
Предпазни мерки при употреба .....	340
10. BLUE FIT50 ИНСТАЛИРАНЕ.....	341
11. BLUE FIT50 ЗАЗИМЯВАНЕ .....	342



**Рециклиране** Този символ се изисква от европейската директива WEEE 2012/19/EU (директива за отпадъците от електрическо и електронно оборудване) и означава, че Вашият уред не трябва да се изхвърля в обикновена кофа за боклук. Той ще бъде селективно събиран с цел повторна употреба, рециклиране или трансформация. Ако съдържа вещества, които могат да бъдат вредни за околната среда, те ще бъдат отстранени или неутрализирани. Свържете се с Вашия търговец за информация относно рециклирането.



- Преди да използвате уреда, е важно да прочетете предупрежденията за безопасност и гаранционната книжка, доставена с продукта. Неспазването на това изискване може да доведе до сериозни или смъртоносни наранявания, материални щети и да анулира гаранцията.
- Съхранявайте и предавайте тези документи за по-късен преглед през целия експлоатационен период на уреда.
- Разпространението или модифицирането на този документ по какъвто и да е начин е забранено без предварително разрешение от производителя.
- Производителят непрекъснато разработва своите продукти, за да подобри качеството им. Производителят си запазва правото да променя изцяло или частично характеристиките на продукта или съдържанието на този документ без предварително предупреждение.

## 1. BLUE CONNECT ВЪВЕДЕНИЕ

---

Blue Connect измерва непрекъснато основните параметри на вашия басейн (температура, рН, хлор, електропроводимост). Той също така ви информира за външната температура и времето въз основа на географското ви местоположение. След това резултатите от този анализ се съобщават чрез известия в приложението Fluidra Pool (достъпно за смартфон и таблет, съвместимо с Android™ и iOS). Ако уредът установи, че някой от параметрите е неправилен, ще получите предупреждение и информация за коригиращото действие, което трябва да се извърши, за да се регулира и стабилизира този параметър, за да се поддържа здравословно и балансирано качество на водата.

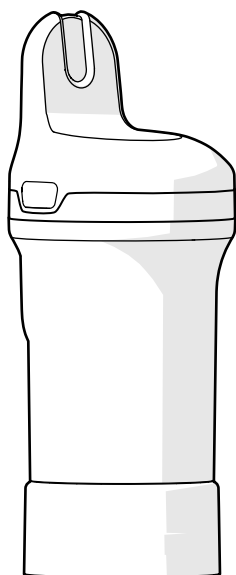
### Преглед

Blue Connect измерва:

- **Температурата на водата** (°C): Измерва температурата на водата. Повишената температура намалява ефективността на хлора и насърчава развитието на микроорганизми.
- **рН** (водороден потенциал): Измерва киселинния или основния характер на водата. рН допринася за ефективността на дезинфектанта.
- **ORP/REDOX** (окислително-редукционен потенциал/редокс потенциал): ORP или REDOX измерва окислителната сила на водата в mV. Той предоставя информация за дезинфекциращата сила на водата.
- **Проводимост** (µS): Измерва концентрацията на неорганични соли във водата чрез способността на водата да провежда електричество (в зависимост от модела).
- **Соленост** (g/l): Измерва концентрацията на разтворената във водата сол (в зависимост от модела).

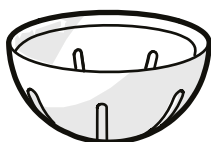
## 2. ОПИСАНИЕ

---



**Blue Connect** – доставя се с поставено кроче за съхранение, което предпазва сондата по време на транспортиране. Сондата е потопена в KCl (наситен калиев хлорид), което осигурява нейната защита.

**Кроче за съхранение** – използва се за транспортиране на сондата извън водата или за поддържане на сензорите потопени по време на продължително съхранение (например при зареждане или през зимата).

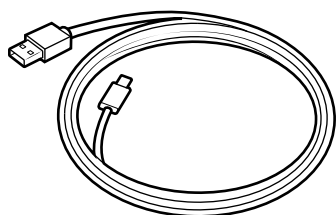


**Капачка на сензора** – винаги трябва да се монтира на уреда, преди да се постави във вода. Тя предпазва сензорите от всякакви повреди.



**Шнур** – използва се за закрепване на уреда към точка на закрепване (по избор).

Може да се наложи да използвате малки клещи, за да го поставите в отвора отстрани на продукта.

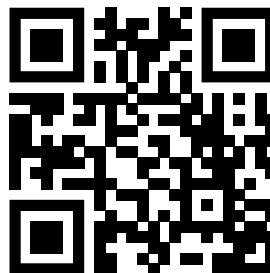


**USB-C кабел** – използва се за зареждане.

## 3. ИНСТАЛИРАНЕ НА ПРИЛОЖЕНИЕТО

### Изтегляне на приложението

Изтеглете приложението Fluidra Pool и следвайте инструкциите, за да създадете акаунт и да конфигурирате басейна си.



## 4. BLUE CONNECT ИНСТАЛИРАНЕ

Следните стъпки са необходими, за да стартирате и използвате Blue Connect:

- Заредете уреда
- Сдвоете уреда с приложението Fluidra Pool
- Монтирайте капачката на сензора и го поставете в басейна

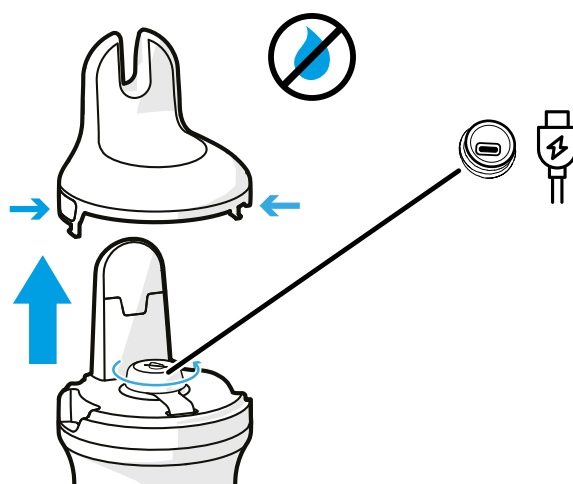
### Зареждане



- Преди да използвате уреда, трябва да го зарядите напълно. Винаги го зареждайте в изправено вертикално положение, като използвате крачето за съхранение, напълнено с разтвор на KCL или вода.
- По време на зареждането измерените стойности (pH, ORP) може да са неправилни. Не вземайте под внимание тези стойности при зареждане.

За зареждане на Blue Connect:

1. **Изушете добре Blue Connect**, след това свалете горния капак, като натиснете от двете страни и го издърпате нагоре.
2. Отвийте капачката на порта за зареждане и свържете USB-C кабела към уреда и към захранването, за да го зарядите.



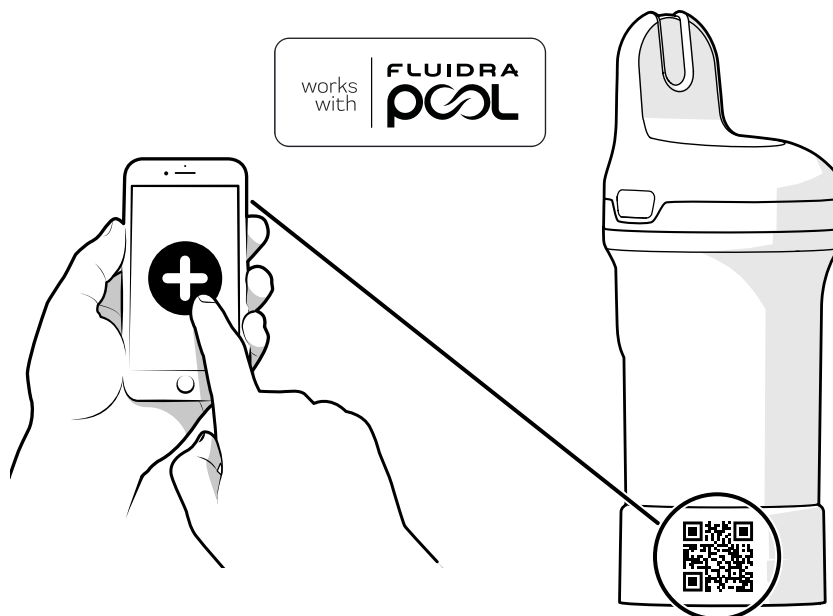


Портът за зареждане трябва да е сух преди зареждане. Работете със сухи ръце на сухо място.

- След зареждане **затворете плътно порта за зареждане** и поставете горната част обратно върху Blue Connect

## Сдвояване с приложението

Отворете приложението Fluidra Pool и щракнете върху **Add equipment** (Добавяне на оборудване), за да свържете Blue Connect. QR кодът, използван за сдвояване, е разположен върху крачето за съхранение и под горния капак, който се сваля за зареждане.

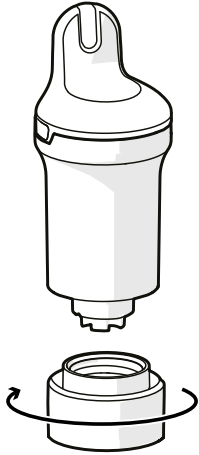


След като се свържете с приложението, ще бъдете уведомени в приложението, ако има налични актуализации на фърмуера. Следвайте инструкциите в приложението, за да актуализирате продукта си.

## Инсталиране

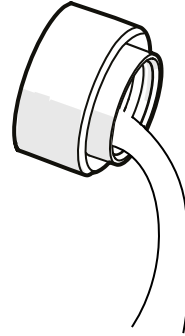
Преди употреба трябва да отстраните крачето за съхранение и да поставите капачката на сензора.

1. Поставете Blue Connect в изправено положение и отвийте крачето за съхранение.

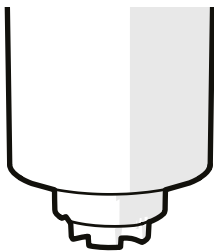


2. Изпразнете крачето за съхранение и го изплакнете с чиста вода. Оставете настрана.

**ЗАБЕЛЕЖКА:** Съхранявайте крачето за съхранение на сигурно място, за да го използвате по-късно.



3. Изплакнете сондата в чиста вода.

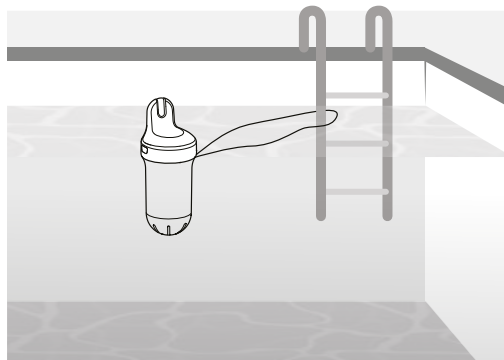


4. Завийте капачката на сензора, за да предпазите сондите.



5. Поставете Blue Connect в басейна и го оставете да плава във водата. Ако е необходимо, можете да го закрепите, като го прикрепите към точка на закрепване с шнура.

Уверете се, че уреда е във вертикално положение и горната му част е извън водата, за да се осигури правилна комуникация.

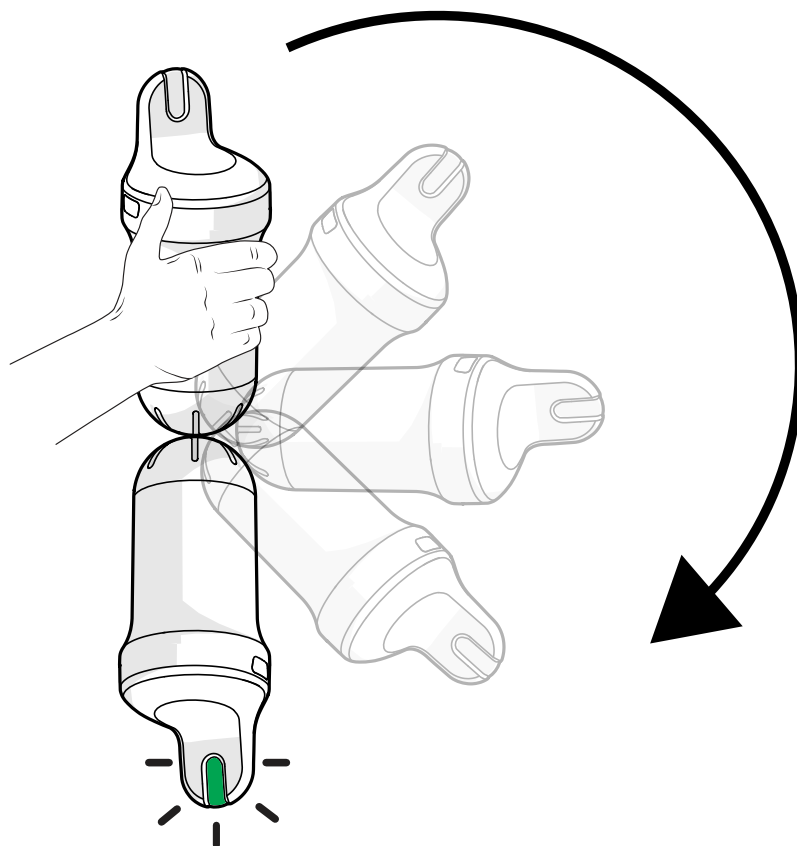


**За басейни с капак на басейна не се препоръчва използването на шнура за закрепване на Blue Connect при затваряне на капака на басейна. Ако е прикрепен, уредът може да бъде потопен във водата и да се загуби връзка.**

## 5. СВЕТОДИОД ЗА СЪСТОЯНИЕ

Светодиодният индикатор на продукта предоставя информация за качеството на водата, състоянието на батерията и зареждането.

Ако искате да проверите състоянието на водата/акумулатора директно на уреда (вместо да търсите в приложението), извадете го от водата и го обърнете с главата надолу, както е показано на снимката. Трябва да го задържите поне 1 секунда в обърнато положение. Blue Connect издава звуков сигнал и светодиодът светва (вж. таблицата за състоянието на светодиода по-долу).



СЪСТОЯНИЕ	СВЕТОДИОД ЗА СЪСТОЯНИЕТО / ЗВУКОВ СИГНАЛ	ОПИСАНИЕ
Зареждане	Бавно мигащо синьо / 1 звуков сигнал	Зареждане
	Постоянно синьо	Зареден (напълно)
Не е активиран	Изключен	Уредът не е активиран
Бърза проверка на състоянието (Вижте обяснението по-долу)	3 червени мигания / 3 звукови сигнала	Слаба батерия
	Постоянно зелено 5 s / 1 звуков сигнал	Водата е в добро състояние
	Постоянно оранжево 5 s / 1 звуков сигнал	Водата не е в добро състояние (качеството на водата трябва да се провери и коригира. Вижте приложението Fluidra Pool за повече информация.)
	Постоянно бяло 5 s / 1 звуков сигнал	Няма състояние на водата, уредът е включен
Актуализация на фърмуера	Бързо мигащо синьо / 1 звуков сигнал	

## 6. ПОДДРЪЖКА

Всички процедури за поддръжка трябва да се извършват с помощта на приложението Fluidra Pool.

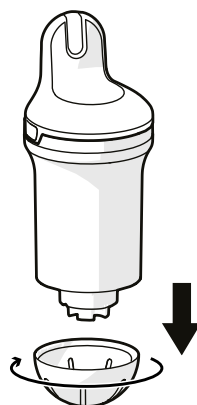


- Продуктите за калибриране са предназначени само за еднократна употреба. Никога не ги използвайте два пъти. Моля, свържете се с вашия дистрибутор, за да получите нови.
- Калибрирането не трябва да се извършва, докато уреда се зарежда.

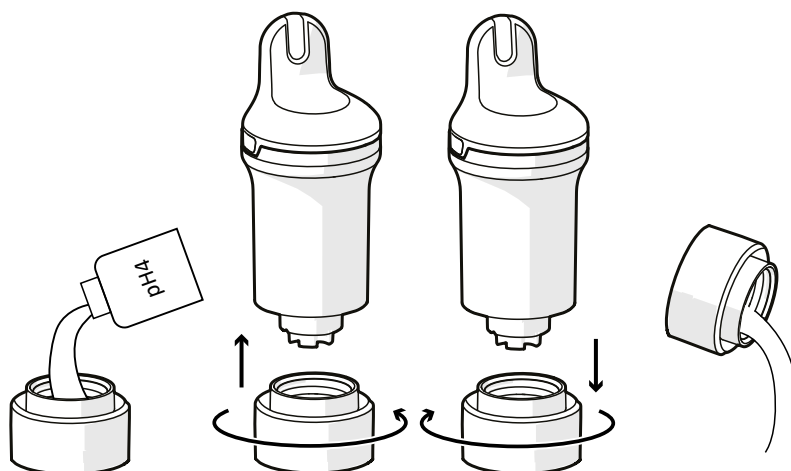
### Калибриране на рН сондата

Калибрирането на рН сондата трябва да се извършва веднъж на сезон. Необходим е комплект за калибриране – свържете се с местния си търговец за повече информация. Това не е необходимо за първата инсталация.

1. Извадете уреда от водата, свалете капачката на сензора и изплакнете сондата в чиста вода.



2. Изплакнете крачето за съхранение с чиста вода и го избършете до сухо.
3. Уверете се, че Bluetooth® е активиран в смартфона ви. Оставете близо до уреда си по време на целия процес на калибриране.
4. В приложението изберете продукта, потърсете раздела за калибриране на сондата и следвайте указанията стъпки.
5. Поставете разтвор на рН4 в крачето за съхранение и го завийте към уреда. Следвайте инструкциите в приложението.
6. След приключване на измерването на рН4 отвийте крачето за съхранение и изплакнете сондата. Изпразнете, изплакнете с чиста вода и избършете крачето.



7. Повторете стъпка 5, като използвате разтвора с рН7.



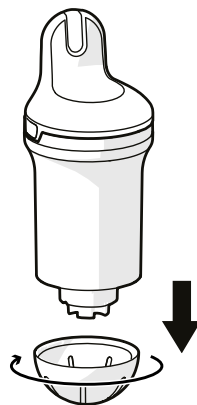
Винаги почиствайте сондата и крачето за съхранение с чиста вода след използване на продукт за калибриране, за да избегнете смесване.

8. Потвърждаване на калибрирането.
9. Монтирайте капачката на сензора на Blue Connect и го поставете обратно в басейна.

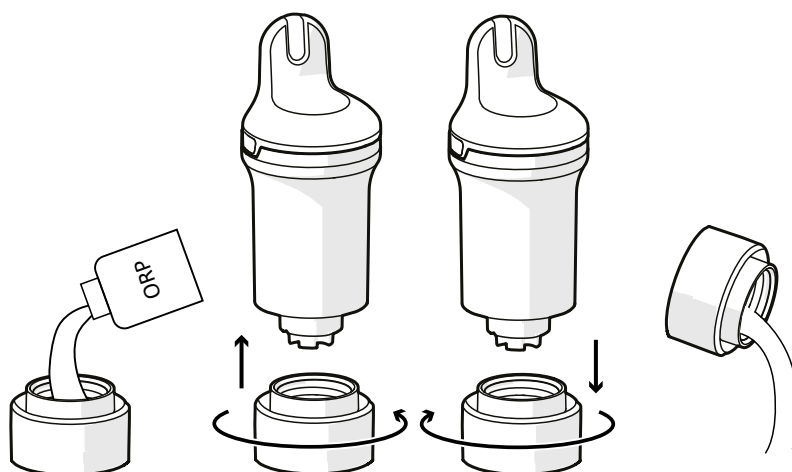
## Калибриране на ORP сондата

Калибрирането на ORP сондата трябва да се извършва веднъж на сезон. Необходим е комплект за калибриране – свържете се с местния си търговец за повече информация. Това не е необходимо за първата инсталация.

1. Извадете уредът от водата, свалете капачката на сензора и изплакнете сондата в чиста вода.



2. Изплакнете крачето за съхранение с чиста вода и го избършете до сухо.
3. Уверете се, че Bluetooth® е активиран в смартфона ви. Оставете близо до уреда си по време на целия процес на калибриране.
4. В приложението изберете продукта, потърсете раздела за калибриране на сондата и следвайте указанията стъпки.
5. Поставете ORP разтвор в крачето за съхранение и го завийте към уреда. Следвайте инструкциите в приложението
6. След приключване на ORP измерването отвийте крачето за съхранение и изплакнете сондата. Изпразнете, изплакнете с чиста вода и избършете крачето.



- Винаги почиствайте сондата и крачето за съхранение с чиста вода след използване на продукт за калибриране, за да избегнете смесване.
- След калибрирането на ORP/redox може да отнеме известно време, за да се получат правилни измервания. Изчакайте поне 6 часа, преди да направите измерване в басейн.

7. Потвърждаване на калибрирането.
8. Монтирайте капачката на сензора на Blue Connect и го поставете обратно в басейна.

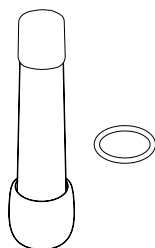
## Смяна на сондата

Сондата трябва да се сменя приблизително на всеки две години. Моля, свържете се с вашия дистрибутор, за да получите нова сонда.



- За да осигурите максимална дълготрайност на сондата, съхранявайте я възможно най-дълго във влажна среда. Ако извадите уреда от водата, трябва да инсталирате крачето за съхранение с KCl (наситен калиев хлорид), pH4 или в краен случай с вода от басейн.
- Ниското pH (в рамките на правилните параметри на басейна) повишава дълготрайността на сондата.
- Когато сменяте сондата, уверете се, че продуктът не остава отворен твърде дълго, тъй като изсушителят може да абсорбира влажност и след това да я освободи в продукта, когато той е затворен.

### Комплект за смяна на сондата

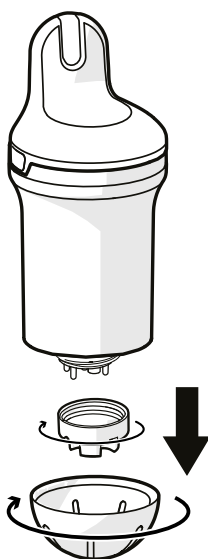


### Инсталация



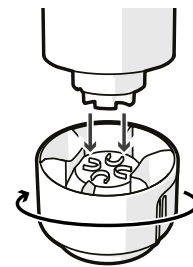
**Препоръчваме ви да извършите тази процедура, като държите продукта вертикално изправен, за да не проникне вода в уреда.**

1. В приложението изберете своя продукт, потърсете раздела за смяна на сондата и следвайте указанияте стъпки.
2. Извадете Blue Connect от водата. Избършете уреда до сухо и започнете процедурата на сухо и чисто място.
3. Свалете капачката на сензора и капака на сондата.

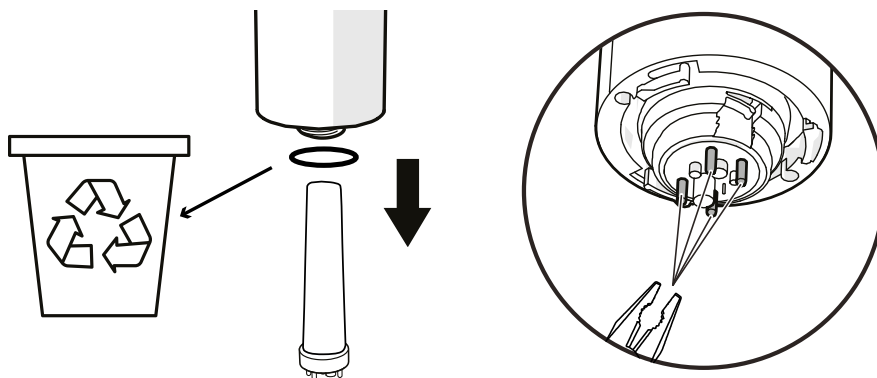




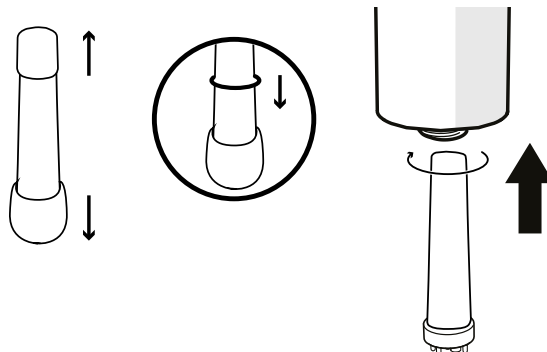
Ако е необходимо, можете да използвате долната страна на крачето за съхранение, за да отвиете капака на сондата.



4. Внимателно издърпайте четирите пластмасови накрайника на сондата. Ако е необходимо, можете внимателно да извадите сондата с помощта на клещи (вижте увеличението). Избършете остатъците от вода и дръжте уреда в изправено положение. Не забравяйте да отстраните уплътнението и да го изхвърлите (може да е заседнало вътре).

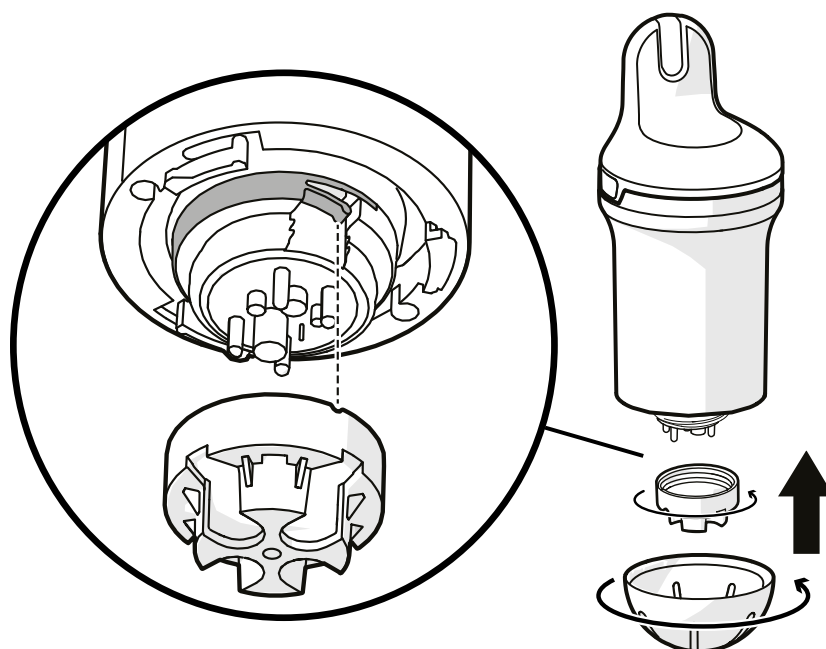


5. Сканирайте QR кода на новата сонда
6. Свалете защитния капак на новата сонда. Поставете новото уплътнение върху новата сонда. Поставете сондата и я завъртете, докато се постави правилно.

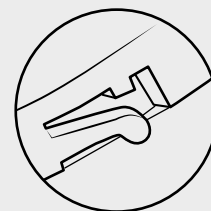


- Внимавайте да не изпуснете сондата, тъй като тя е много крехка.
- НЕ използвайте никакви инструменти и НЕ докосвайте сензорните зони на сондата при монтажа, за да не я повредите.
- Тези стъпки трябва да се извършат възможно най-бързо, за да се избегне прекалено дългото отваряне на уреда.

7. Завийте здраво капака на сондата върху уреда, докато щракне на мястото си (вижте увеличението). Можете да използвате долната страна на крачето за съхранение, за да го затегнете. След това поставете капачката на сензора и поставете Blue Connect обратно във водата.



**Капакът на сондата трябва да се завие така, че малкият бутон да щракне на мястото си, както е показано. В противен случай продуктът може да се повреди.**



След първото потапяне в басейна на сензора може да са необходими няколко часа, за да се стабилизират параметрите му.

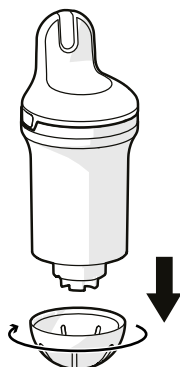
## Зазимяване

За да запазите уреда си в добро работно състояние, трябва да го съхраните правилно за зимата, като го поставите в зимен режим. Уверете се, че е напълно зареден, преди да следвате процедурата по-долу.

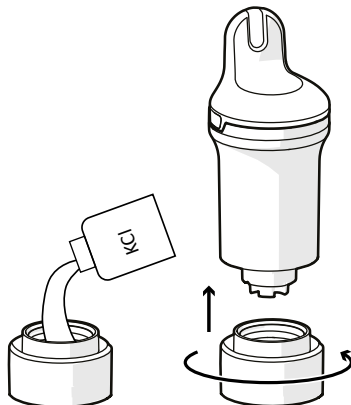
### Зимен режим

Трябва да включите уреда в зимен режим, преди да го съхранявате за зимата. **Зимният режим не може да се активира, ако уредът се зарежда.**

1. Извадете Blue Connect от водата. Свалете капачката на сензора.



2. Уверете се, че интернет (Wi-Fi или 4G) и Bluetooth® са активирани на вашия смартфон. Оставете близо до уреда по време на целия процес на готовност.
3. Превключете уреда в зимен режим – в приложението изберете своя продукт, потърсете зимен режим и следвайте указаните стъпки.
4. Изплакнете крачето за съхранение с чиста вода и го избършете. Поставете KCl (наситен калиев хлорид) или рН4 (или в краен случай вода) в крачето за съхранение и го завийте.



Съдържащият се в крачето за съхранение KCl може да доведе до образуване на агломерирана сол на връзката с корпуса на уреда, но това в никакъв случай не е опасно. Просто изплакнете с чиста вода.

5. Утвърдете зимния режим и съхранявайте Blue Connect на защитено от замръзване място.

## Съхранение

Ако се налага да извадите Blue Connect от басейна за повече от час, поставете крачето за съхранение с KCl (наситен калиев хлорид), рН4 или в краен случай с вода от басейна, тъй като сондата не трябва да се оставя суха.

## Повторно активиране след зазимяване

За да активирате отново Blue Connect след зазимяване, просто го включете, за да заредите батерията. Това събужда уреда.

## 7. ОТСТРАНЯВАНЕ НА НЕИЗПРАВНОСТИ

ПРОБЛЕМ	РЕШЕНИЕ
Неуспешно сдвояване	Не бъркайте буквите и цифрите (напр. В и 8, I и 1 и т.н.) в кода за достъп.
Измерванията не са правилни.	<ul style="list-style-type: none"> <li>Проверете калибрирането на сензора.</li> <li>Едно въздушно мехурче може да изкриви измерванията. Движете уреда бавно, за да се опитате да премахнете мехурчетата.</li> </ul>
Странни измервания (pH и ORP)	Причината може да са мехурчета по сондата. Разклатете уреда под вода, за да се освободите от мехурчетата, и измерете отново.
Обръщате уреда с главата надолу, за да проверите състоянието му, и нищо не се случва	<ul style="list-style-type: none"> <li>Обърнете бавно уреда, като не забравяте да го държите обърнат поне 1 секунда.</li> <li>Включете го, за да го заредите.</li> </ul> <p>Ако светодиодът все още не свети, свържете се с вашия търговец.</p>
Уредът не се зарежда (няма син светодиод)	<ul style="list-style-type: none"> <li>Проверете зарядното си устройство</li> <li>Проверете кабела си USB-C</li> </ul> <p>Ако уредът все още не се зарежда, свържете се с вашия търговец.</p>
Когато искате да свържете уреда си с Bluetooth, уредът ви не се открива и не се появява в списъка с уреди.	<ul style="list-style-type: none"> <li>Проверете дали Bluetooth е активен на вашия смартфон</li> <li>Проверете дали уредът вече не е свързан с друг смартфон</li> <li>Заредете уреда</li> </ul> <p>Ако уредът все още не се зарежда, свържете се с вашия търговец.</p>
Не виждате цвета на състоянието на водата след обръщане на продукта.	<ul style="list-style-type: none"> <li>Проверете в по-тъмна зона или като създадете сянка с ръката си.</li> <li>Заредете уреда</li> </ul>
Трябва често да зареждате уреда	<ul style="list-style-type: none"> <li>Проверка на качеството на Wi-Fi сигнала</li> <li>Опитайте да оставите уреда на друго място в басейна</li> <li>Инсталиране на повторител на Wi-Fi в близост до басейна</li> </ul>
Отчетените данни са изцяло извън обхвата	Проверете дали сондата е налична, дали гайката е завита здраво и дали свидетелят на завиването е на мястото си.
Появява се конденз в LED зоната	Това е нормално и не влияе на функционирането на продукта. Кондензът ще изчезне след правилно съхранение на продукта за повече от 6 дни.
Продуктът не се свързва с Wi-Fi	Преместете продукта по-близо до Wi-Fi рутера.
Без измерване при първото инсталиране или след зимуване	Сензорът е прекалено сух. Оставете сензора във водата за 24 часа, след което го калибрирайте и проверете дали функционира правилно.

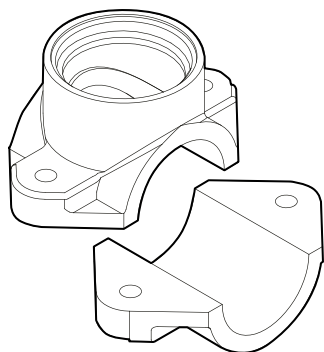
## 8. BLUE FIT50 ВЪВЕДЕНИЕ

Blue Fit50 е скоба за маркуч, съвместима с Blue Connect. Тя ви позволява да инсталирате Blue Connect на тръбопроводите в техническото помещение.



Blue Fit50 е аксесоар на Blue Connect. Той се продава отделно.

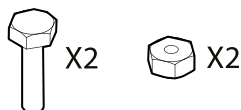
## 9. BLUE FIT50 ОПИСАНИЕ



Една скоба за маркуч



Една капачка с резба



Два винта и болтове

### Предпазни мерки при употреба

- Не оставяйте Blue Connect на Blue Fit50, когато в тръбите няма вода.
- При работа с хидравличния кръг (риск от воден удар) е препоръчително да се отстрани Blue Connect, за да не се повреди продуктът.
- Уверете се, че сте създали достатъчен поток в инсталацията си, за да може Blue Connect да предприеме мерки.
- Винаги поставяйте Blue Connect вертикално със сондата надолу.
- Не зареждайте Blue Connect, когато е инсталиран на Blue Fit50. Отстранете го преди зареждане.
- Не зареждайте уреда постоянно. Измерените стойности може да са неправилни по време на зареждане

## 10. BLUE FIT50 ИНСТАЛИРАНЕ

Уверете се, че винаги поставяте Blue Fit50 след филтъра (за да избегнете повреждане на сондите) и преди системата за впръскване на продукти или електролизата (за да избегнете промяна на мерките, предприети от Blue Connect).

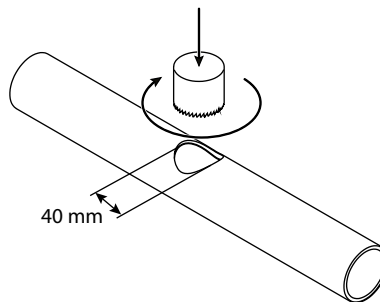
Максималното допустимо налягане на водата при монтаж в тръбата е 300 kPa.

Ако е необходимо, попитайте специалиста си в областта на басейните за съвет в случай на съмнение.

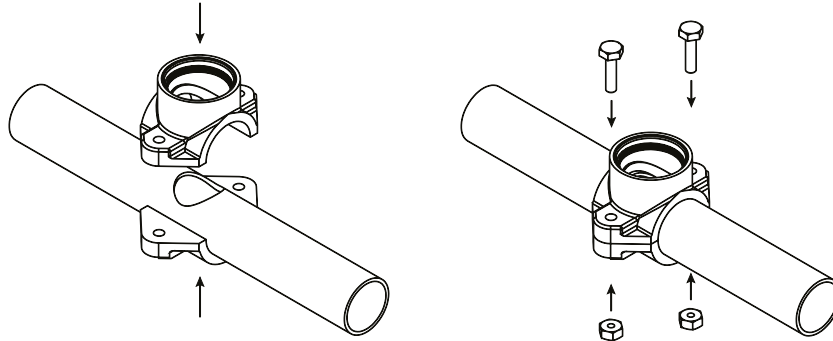
1. Изключете филтриращата система.
2. С помощта на трион с диаметър 40 mm пробийте отвор в горната част на тръбата.



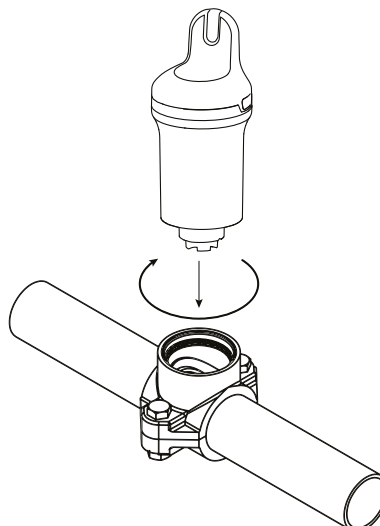
Blue Connect трябва да е във вертикално положение, със сондата надолу.



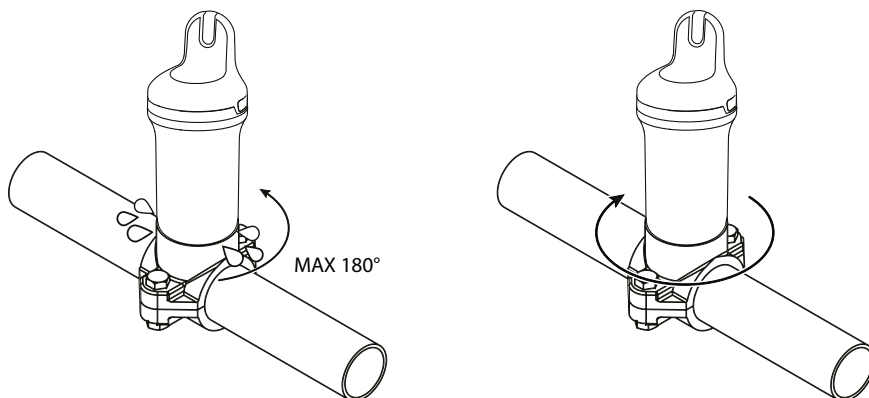
3. Поставете двете части на скобата за маркуча от двете страни на тръбата, така че отворите да съвпадат, и завийте скобата за маркуча.



4. Завийте Blue Connect към скобата за маркуча. Горният ръб на Blue Connect трябва да е успореден на тръбата.



5. Включете филтриращата система.
6. Леко и бавно развийте Blue Connect (максимум  $\frac{1}{2}$  оборот), за да отстраните въздуха. Щом водата излезе, това означава, че в тръбите не е останал въздух, и можете отново да завиете плътно Blue Connect.

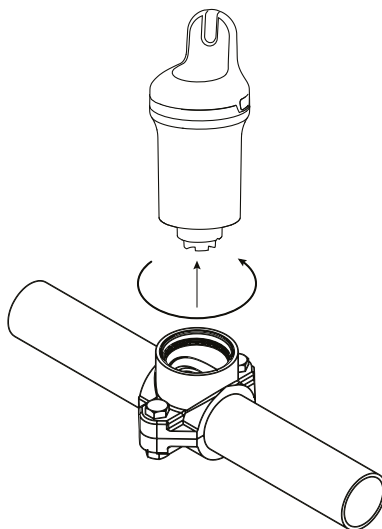


7. В приложението изберете продукта, потърсете опцията за активиране на Blue Fit50 и следвайте инструкциите.

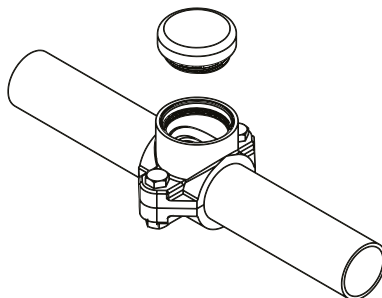
## 11. BLUE FIT50 ЗАЗИМЯВАНЕ

Следвайте тази процедура, когато се подготвяте да съхранявате Blue Connect за зимата.

1. Изключете филтърната помпа, затворете клапаните и отвийте Blue Connect.



2. Запечатайте скобата за маркуча с капачката, предоставена в кутията Blue Fit50.



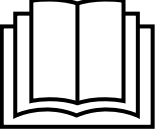
3. Следвайте процедурата за зазимяване на Blue Connect (вж. [Зазимяване, стр. 337](#)).

# İÇİNDEKİLER

1. BLUE CONNECT TANITIM.....	344
Genel Bakış .....	344
2. AÇIKLAMA .....	345
3. UYGULAMA KURULUMU .....	346
Uygulamayı İndirin .....	346
4. BLUE CONNECT KURULUM.....	346
Şarj etme.....	346
Uygulamayla eşleştirme .....	347
Kurulum .....	348
5. DURUM LED'İ .....	349
6. BAKIM .....	350
pH Prob Kalibrasyonu.....	350
ORP Prob Kalibrasyonu.....	351
Probun Değiştirilmesi .....	352
Kışın Saklama .....	354
7. SORUN GİDERME .....	355
8. BLUE FIT 50 TANITIM.....	357
9. BLUE FIT50 AÇIKLAMA .....	357
Kullanım Uyarıları.....	357
10. BLUE FIT50 KURULUM.....	358
11. BLUE FIT50 KIŞIN SAKLAMA .....	359



**Geri Dönüşüm** 2012/19/EU sayılı Avrupa Yönetmeliği (atık elektrikli ve elektronik cihazlar yönetmeliği) tarafından gerekli görülen bu sembol, cihazınızın normal bir çöp kutusuna atılmaması gerektiği anlamına gelmektedir. Cihaz yeniden kullanım, geri kazanım veya dönüşüm amacıyla seçilerek toplatılacaktır. Çevreye zararlı olabilecek maddeler içermesi halinde, bu maddeler temizlenecek veya nötrleştirilecektir. Geri dönüşüm bilgileri için satıcınıza başvurun.



- Cihazı kullanmadan önce, güvenlik uyarılarının ve ürün ile birlikte verilen garanti kitapçığının okunması önemlidir. Aksi halde ciddi ya da ölümcül yaralanmalar ya da maddi hasar meydana gelebilir ve garanti geçersiz olur.
- Bu belgeleri cihazın kullanım ömrü boyunca incelemek üzere saklayın ve iletin.
- Bu belgenin üreticinin ön izni olmaksızın herhangi bir şekilde dağıtılması veya değiştirilmesi yasaktır.
- Üretici kaliteyi iyileştirmek için ürünlerini sürekli olarak geliştirmektedir. Üretici ön uyarı olmaksızın ürünün özelliklerini veya işbu belgenin içeriğini tamamen veya kısmen değiştirme hakkını saklı tutar.

## 1. BLUE CONNECT TANITIM

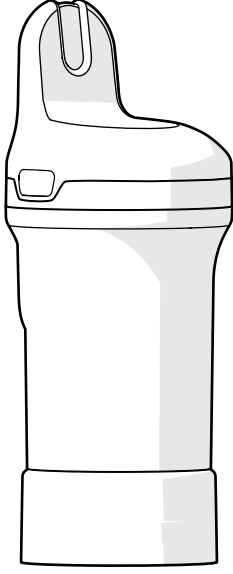
Blue Connect yüzme havuzunuzun kilit parametrelerini (sıcaklık, pH, klor, iletkenlik) sürekli olarak ölçer. Ayrıca coğrafi konunuza göre dış sıcaklık ve hava hakkında sizi bilgilendirir. Ardından bu analiz sonuçları Fluidra Pool uygulamasının (akıllı telefon ve tablette kullanılabilir, Android™ ve iOS ile uyumludur) bildirimleriyle size iletilir. Cihaz parametrelerden birinin yanlış olduğunu tespit ederse, sağlıklı ve dengeli su kalitesinin sürdürülmesi amacıyla bu parametreyi düzenleyerek stabilize etmek için gerekli düzeltici eylem hakkında uyarı ve bilgi alırsınız.

### Genel Bakış

Blue Connect şunları ölçer:

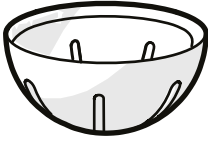
- **Su sıcaklığı** (°C): Su sıcaklığını ölçer. Yüksek sıcaklık klorun verimini düşürür ve mikroorganizmaların gelmesine neden olur.
- **pH** (hidrojen potansiyeli): Suyun asidikliğini veya bazikliğini ölçer. pH, dezenfektanın etkisini artırır.
- **ORP/REDOX** (oksidasyon-indirgeme potansiyeli/ redoks potansiyeli): ORP veya REDOX suyun mV.cinsinden oksitleme kapasitesini ölçer. Suyun dezenfeksiyon kapasitesi hakkında bilgi verir.
- **İletkenlik** (µS): Sudaki inorganik tuzların konsantrasyonunu suyun elektrik iletme kapasitesine göre (modele bağlı olarak) ölçer.
- **Tuzluluk** (g/L): Suda çözünen tuzun konsantrasyonunu (modele bağlı olarak) ölçer.

## 2. AÇIKLAMA



**Blue Connect** - Taşıma sırasında probu korumak için saklama ayağı takılı olarak teslim edilir. Prob KCl (doymuş potasyum klorür) içine daldırılarak probun korunması sağlanır.

**Saklama ayağı** - Probu sudan çıkarmak veya sensörleri uzun süreli depolama sırasında (örneğin şarj sırasında veya kışın) su altında tutmak için kullanılır.

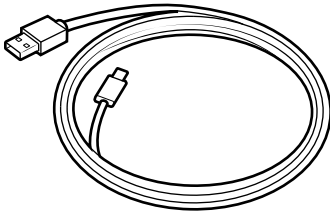


**Sensör kapağı** -Cihaz suya konmadan önce mutlaka cihaza monte edilmelidir. Sensörü herhangi bir hasardan korur.



**Kablo**- Cihazı bir bağlantı noktasına sabitlemek için kullanılır (opsiyonel).

Ürünün yan tarafındaki açıklığa yerleştirmek için küçük bir pense kullanmanız gerekebilir.

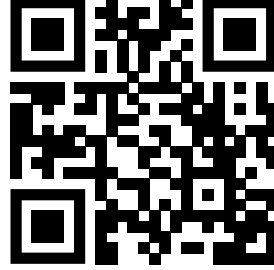


**USB-C kablo**- Şarj için kullanılır.

### 3. UYGULAMA KURULUMU

#### Uygulamayı İndirin

Fluidra Pool uygulamasını indirin ve hesap oluşturmak ve havuzunuzu düzenlemek için talimatları uygulayın.



### 4. BLUE CONNECT KURULUMU

Blue Connect'in çalışır duruma getirilmesi için aşağıdaki adımlar izlenmelidir:

- Cihazı şarj edin,
- Cihazı Fluidra Pool uygulamasıyla eşleştirin
- Sensör kapağını takın ve havuza koyun

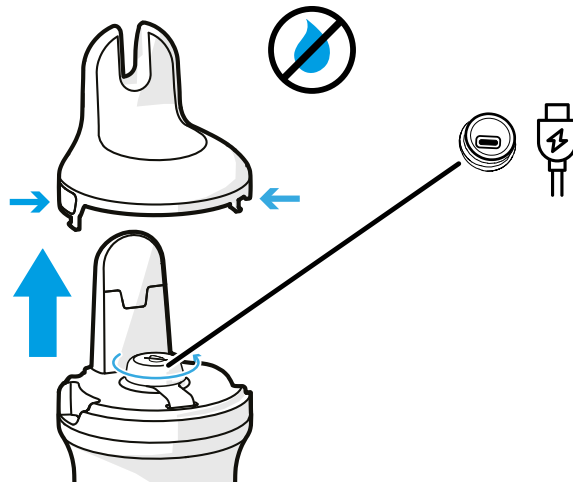
#### Şarj etme



- Kullanmadan önce cihazı tamamen şarj etmeniz gerekir. Cihazı her zaman üst kısmı yukarı gelecek şekilde dikey konumda ve KLC solüsyonu veya su ile dolu depolama ayağını kullanarak şarj edin.
- Şarj sırasında ölçülen değerler (pH, ORP) hatalı olabilir. Şarj sırasında bu değerleri dikkate almayın.

Blue Connect'i şarj etmek için:

1. **Blue Connect'i iyice kurula** ardından her iki yandan bastırarak ve yukarı doğru çekerek üst kapağı çıkarın.
2. Şarj portu kapağını gevşetin ve şarj etmek için USB-C kabloyu cihaza ve bir güç kaynağına bağlayın.

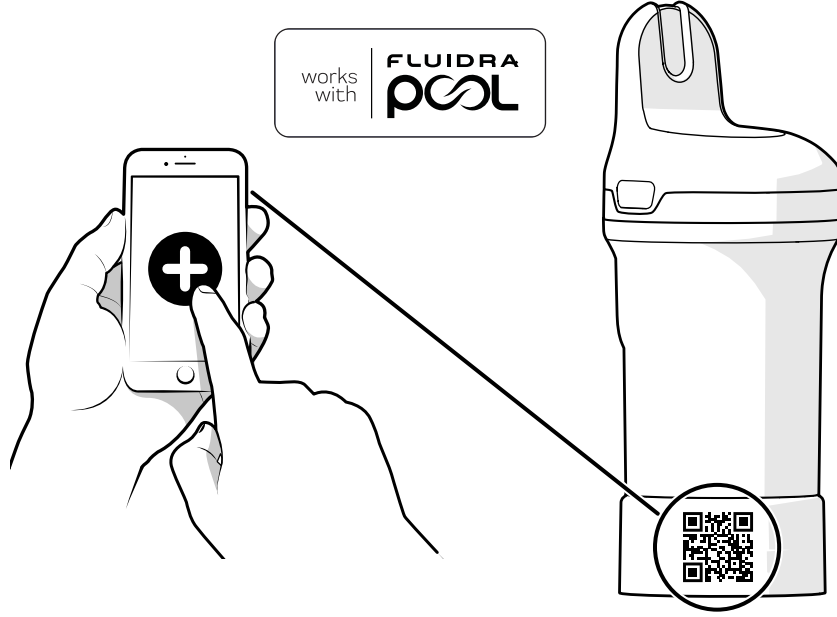


**Şarj portu şarj öncesinde kuru olmalıdır. Kuru bir yerde kuru ellerle tutun.**

3. Şarj sonrasında, **şarj portunu sıkıca kapatın** ve üst kısmı yeniden Blue Connect'e yerleştirin

## Uygulamayla eşleştirme

Fluidra Pool uygulamasını açın ve Blue Connect ile eşleştirmek için **Add equipment** (Ekipman ekle) seçeneğine tıklayın. Eşleştirme için kullanılan QR Kodu saklama ayağında veşarj için çıkarılan üst kapağın altında mevcuttur.

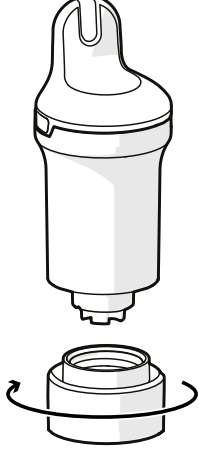


Uygulamaya bağlandığınızda, herhangi bir ürün yazılım güncellemesi varsa uygulama üzerinden size bildirim gelecektir. Ürününüzü güncellemek için uygulamadaki talimatları uygulayın.

## Kurulum

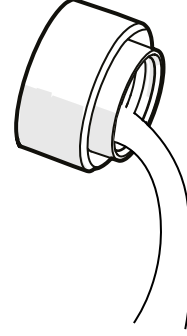
Kullanım öncesinde, saklama ayağını çıkarmanız ve sensör kapağını takmanız gerekir.

1. Blue Connect'i üst kısmı yukarı gelecek şekilde dik konuma getirin ve saklama ayağını gevşetin.

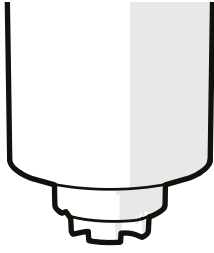


2. Saklama ayağını boşaltın ve temiz su ile durulayın. Ayağı kenara ayırın.

**NOT:** Saklama ayağını daha sonra kullanmak için güvenli bir yerde saklayın.



3. Probu temiz su ile durulayın.

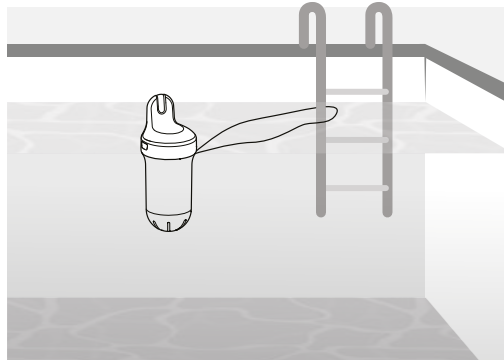


4. Probları korumak için sensör kapağını vidalayın.



5. Blue Connect'i havuza koyun ve suda yüzmeye bırakın. Gerekirse, kablo ile bir bağlantı noktasına sabitleyerek emniyete alabilirsiniz.

İletişimin doğru şekilde sağlanması için cihazın dikey konumda ve üst kısmının dışarıda olduğundan emin olun.

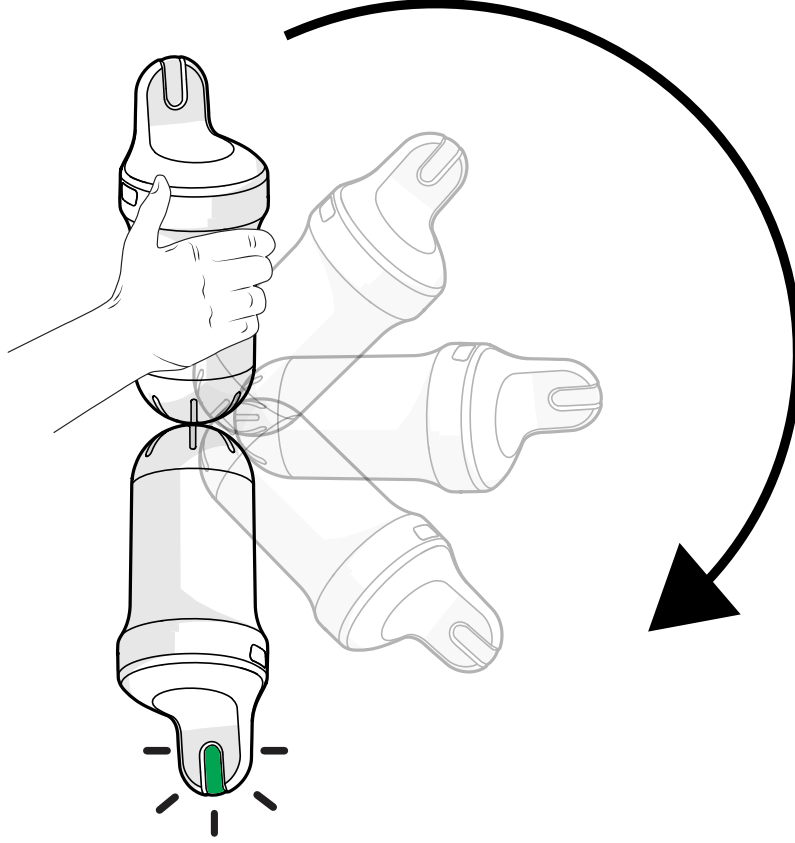


**Havuz örtüsü olan havuzlar için, havuz örtüsü örtülürken kablonun Blue Connect'i sabitlemek için kullanılması önerilmez. Kablo takılırsa, cihaz suya batabilir ve bağlantı kesilebilir.**

## 5. DURUM LED'İ

Üründeki LED gösterge su kalitesi, batarya durumu ve şarj hakkında bilgi verir.

Su/batarya durumunu doğrudan cihaz üzerinden (uygulamaya bakmak yerine) kontrol etmek istiyorsanız, cihazı sudan çıkarın ve gösterilen şekilde ters çevirin. Cihazı en az 1 saniye ters konumda tutmanız gerekir. Blue Connect bip ses uyarısı verir ve LED yanar (aşağıdaki LED durum tablosuna bakın).



DURUM	DURUM LED'İ / BİP	AÇIKLAMA
Şarj oluyor	Yavaş yanıp sönen mavi / 1 bip	Şarj oluyor
	Sürekli mavi	Şarj oldu (tam)
Aktive olmadı	Kapalı	Cihaz aktive olmadı
Hızlı durum kontrolü (Aşağıdaki açıklamaya bakın)	3 kırmızı yanıp sönme / 3 bip	Batarya seviyesi düşük
	5sn sürekli yeşil / 1 bip	Su TAMAM
	5sn sürekli turuncu / 1 bip	Su tamam değil (su kalitesinin kontrol edilerek düzeltilmesi gerekli. Daha fazla bilgi için Fluidra Pool uygulamasını kullanın.)
	5sn sürekli beyaz / 1 bip	Su durumu yok, cihaz açık
Ürün yazılımı güncellemesi	Hızlı yanıp sönen mavi / 1 bip	

## 6. BAKIM

Tüm bakım prosedürleri Fluidra Pool uygulaması kullanılarak gerçekleştirilmelidir.

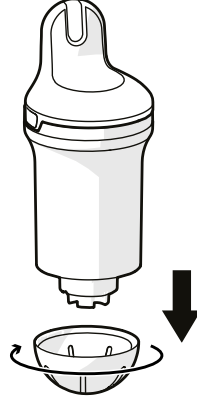


- Kalibrasyon ürünleri tek kullanımlıktır. Bu ürünleri kesinlikle iki kere kullanmayın. Yeni ürün almak için lütfen bayinizle iletişim kurun.
- Cihaz şarj edilirken kalibrasyon yapılmamalıdır.

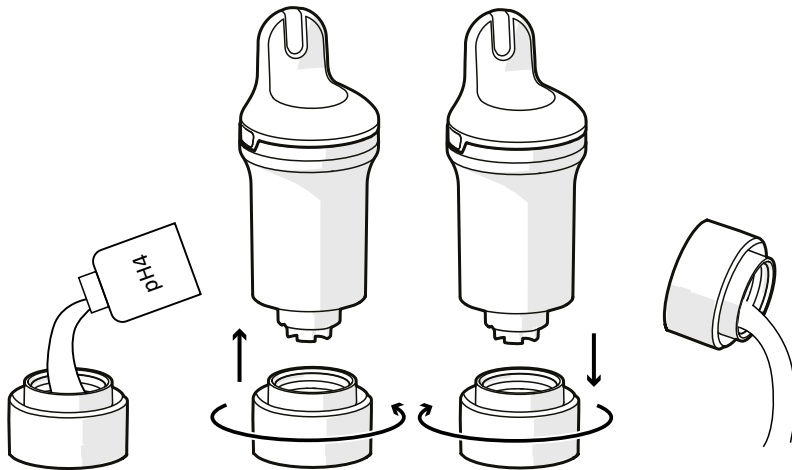
### pH Prob Kalibrasyonu

pH prob kalibrasyonu her mevsimde bir kere yapılmalıdır. Kalibrasyon kiti gereklidir- Daha fazla bilgi için yerel bayinizle iletişim kurun. İlk kurulum için gerekli değildir.

1. Cihazı sudan çıkarın, sensör kapağını çıkarın ve probu temiz su ile durulayın.



2. Saklama ayağını temiz su ile durulayın ve kurulayın.
3. Akıllı telefonunuzda Bluetooth® özelliğinin etkin olduğundan emin olun. Tüm kalibrasyon işlemi boyunca cihazınızın yakınında durun.
4. Uygulamadan ürünü seçin, prob kalibrasyon bölümünü bulun ve buradaki adımları uygulayın.
5. Saklama ayağına bir pH4 çözeltisi ekleyin ve ayağı cihaza vidalayın. Uygulamadaki talimatları takip edin.
6. pH4 ölçümü tamamlandığında, saklama ayağını gevşetin ve probu durulayın. Ayağı boşaltın, temiz su ile durulayın ve kurulayın.



7. 5. adımı pH7 çözeltisi ile tekrarlayın.



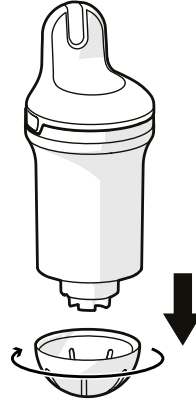
Karışmaları önlemek için kalibrasyon ürününü kullandıktan sonra probu ve saklama ayağını her zaman temiz su ile temizleyin.

8. Kalibrasyonu onaylayın.
9. Sensör kapağını Blue Connect'e takın ve yeniden havuza koyun.

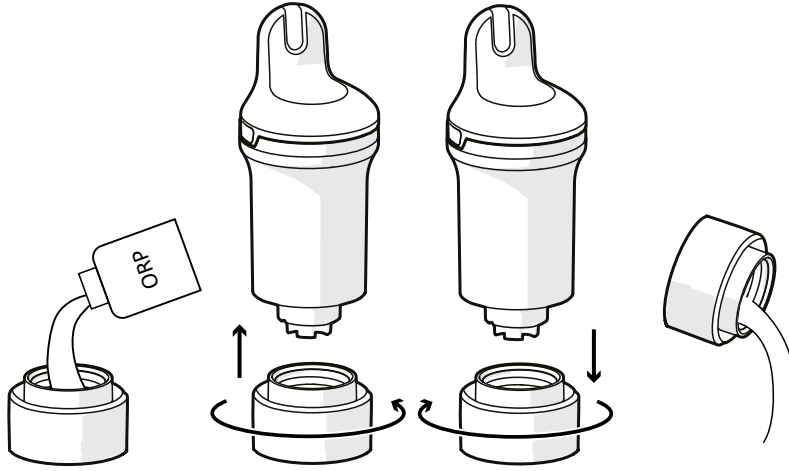
## ORP Prob Kalibrasyonu

ORP prob kalibrasyonu her mevsimde bir kere gerçekleştirilmelidir. Kalibrasyon kiti gereklidir- Daha fazla bilgi için yerel bayinizle iletişim kurun. İlk kurulum için gerekli değildir.

1. Cihazı sudan çıkarın, sensör kapağını çıkarın ve probu temiz su ile durulayın.



2. Saklama ayağını temiz su ile durulayın ve kurulayın.
3. Akıllı telefonunuzda Bluetooth® özelliğinin etkin olduğundan emin olun. Tüm kalibrasyon işlemi boyunca cihazınızın yakınında durun.
4. Uygulamadan ürünü seçin, prob kalibrasyon bölümünü bulun ve buradaki adımları uygulayın.
5. Saklama ayağına bir ORP çözeltisi ekleyin ve ayağı cihaza vidalayın. Uygulamadaki talimatları takip edin.
6. ORP ölçümü tamamlandığında, saklama ayağını gevşetin ve probu durulayın. Ayağı boşaltın, temiz su ile durulayın ve kurulayın.



- Karışmaları önlemek için kalibrasyon ürününü kullandıktan sonra probu ve saklama ayağını her zaman temiz su ile temizleyin.
- ORP (Oksidasyon Redüksiyon Potansiyeli)/redoks kalibrasyonunun ardından, doğru değerlerin elde edilmesi bir miktar zaman alabilir. Havuzda ölçüm yapmadan önce en az 6 saat bekleyin.

7. Kalibrasyonu onaylayın.
8. Sensör kapağını Blue Connect'e takın ve yeniden havuza koyun.

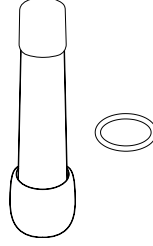
## Probun Deęiřtirilmesi

Probun yaklaşık iki yılda bir deęiřtirilmesi gerekir. Yeni prob almak için lütfen bayinizle iletişim kurun.



- Probun maksimum süre kullanılabilmesi için, mümkün olduęunca uzun süre nemli ortamda saklayın. Cihazı sudan çıkaracaksanız, saklama ayaęını KCl (doymuř potasyum klorür), pH4 veya son çare olarak havuz suyuyla birlikte takmanız gerekir.
- Düşük pH deęeri (doęru havuz parametreleri dahilinde) probun kullanım ömrünü artırır.
- Probu deęiřtirirken, kurutucu nemi emerek kapatıldıęında bu nemi ürüne aktarabileceęinden, ürününün fazla uzun süre açık kalmadıęından emin olun.

### Prob Deęiřtirme Kiti

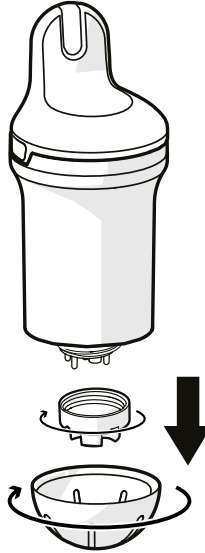


### Kurulum

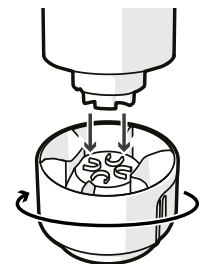


**Cihaza su girmemesi için bu prosedürün dikey ve üst kısmı yukarı gelecek şekilde gerçekleştirilmesi şiddetle önerilir.**

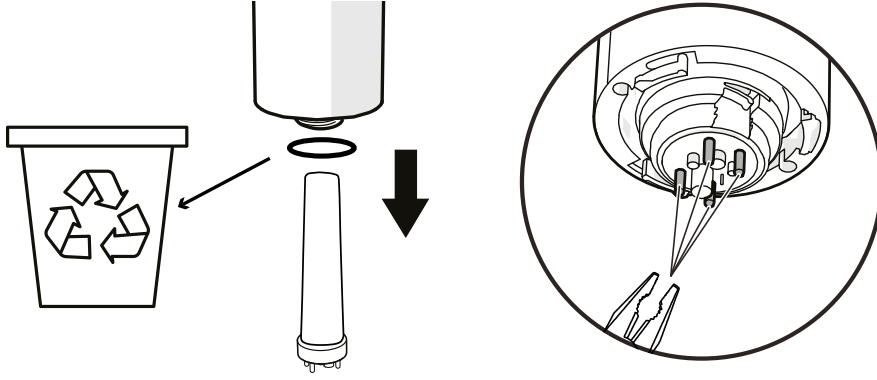
1. Uygulamadan ürününüzü seçin, prob deęiřtirme bölümünü bulun ve buradaki adımları uygulayın.
2. Blue Connect'i sudan çıkarın. Cihazı kurulaşın ve kuru ve temiz bir yerde prosedürü başlaşın.
3. Sensör kapaęını ve prob kapaęını çıkarın.



Gerekirse, prob kapaęını gevřetmek için saklama ayaęının alt kısmını kullanabilirsiniz.

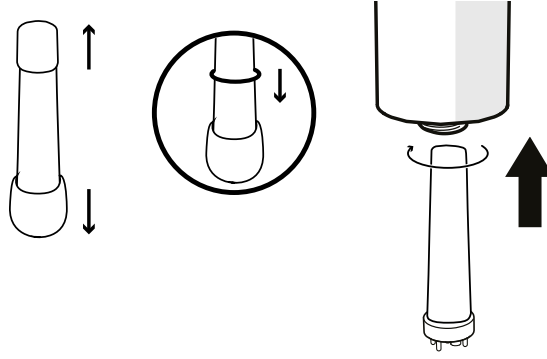


4. Probun dört plastik ucunu yavaşça çekin. Gerekirse, probu çıkarmak için penseyi nazik bir şekilde kullanabilirsiniz (yaklaştırmaya bakın). Kalan suyu iyice silin ve cihazı dik tutun. Contayı çıkarıp attığınızdan emin olun (iç kısımda sıkışmış olabilir).



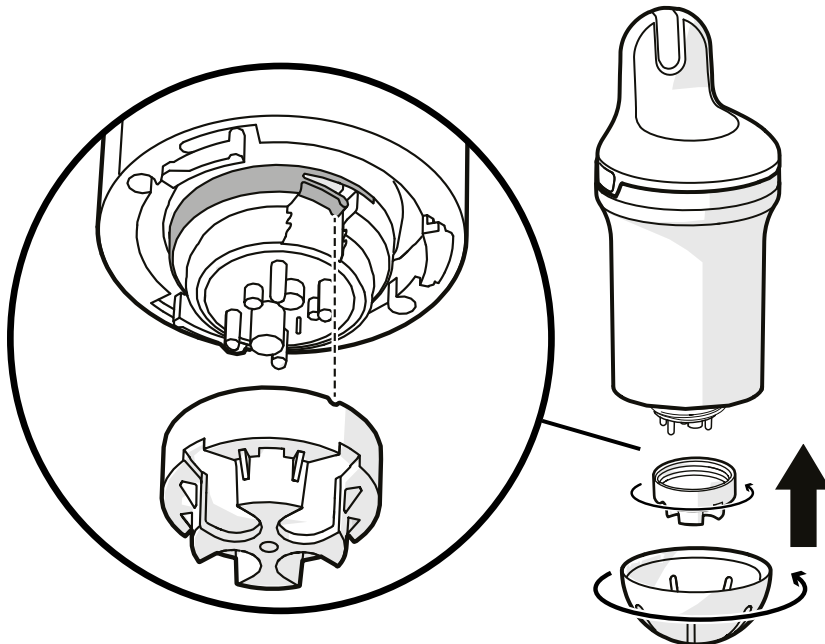
5. Yeni probun QR kodunu tarayın

6. Yeni probun koruma kapağını çıkarın. Yeni contayı yeni proba yerleştirin. Probu takın ve tamamen yerleşene kadar çevirin.



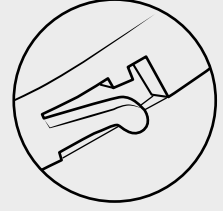
- Son derece hassas olduğundan probu düşürmemeye dikkat edin.
- Herhangi bir alet KULLANMAYIN ve hasar görmemesi için takarken probun hassas kısımlarına temas ETMEYİN.
- Cihazın fazla uzun süre açık kalmaması için bu adımlar mümkün olduğunca hızlı bir şekilde uygulanmalıdır.

7. Prob kapağı yerine tık sesiyle yerleşene kadar cihaza sıkıca vidalayın (yakınlaştırmaya bakın). Prob kapağını sıkmak için saklama ayağının alt kısmını kullanabilirsiniz. Ardından, sensör kapağını takın ve Blue Connect'i yeniden suya koyun.





Prob kapağı küçük tırnak gösterilen şekilde yerine tıklayarak yerleşecek şekilde vidalanmalıdır. Aksi halde ürün hasar görebilir.



Sensör havuza ilk daldırıldıktan sonra, parametrelerinin stabilize olması birkaç saat sürebilir.

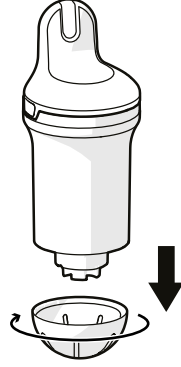
## Kışın Saklama

Cihazınızı iyi ve çalışır durumda tutmak için, kış moduna alarak kışa uygun şekilde saklamanız gerekir. Aşağıdaki prosedürü uygulamadan önce cihazın tamamen şarj olduğundan emin olun.

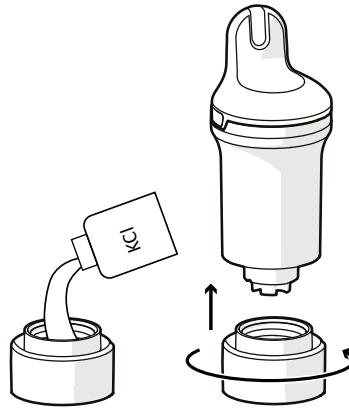
### Kış Modu

Cihazı kışın saklamak için kış moduna almanız gerekir. **Cihaz şarj oluyorsa kış modu etkinleştirilemez.**

1. Blue Connect'i sudan çıkarın. Sensör kapağını çıkarın.



2. Akıllı telefonunuzda İnternet (Wi-Fi veya 4G) ve Bluetooth® özelliklerinizin etkin olduğundan emin olun. Tüm standby (bekleme) işlemi boyunca cihazınızın yakınında durun.
3. Cihazı kış moduna alın; uygulamadan ürününüzü seçin, kış modunu bulun ve buradaki adımları uygulayın.
4. Saklama ayağını temiz su ile durulayın ve kurulayın. Saklama ayağına KCl (doymuş potasyum klorür) veya pH4 (veya son çare olarak su) koyun ve vidalayın.





Saklama ayağındaki KCl, cihazın gövdesiyle birleşim noktasında topaklanmış tuz oluşmasına neden olabilir, ancak bu hiçbir durumda tehlike oluşturmaz. Basitçe temiz su ile durulayın.

5. Kış modunu onaylayın ve Blue Connect'i donmaya karşı korunaklı bir şekilde saklayın.

## Saklama

Blue Connect'i bir saatten uzun süre havuzdan çıkarmanız gerekiyorsa, probun kuru bırakılmaması gerektiğinden, saklama ayağını KCl (doymuş potasyum klorür), pH4 veya son çare olarak havuz suyu ile birlikte takın.

## Kışın Saklamanın Ardından Yeniden Etkinleştirme

Blue Connect'i kışın saklamanın ardından yeniden etkinleştirmek için, bataryayı şarj etmek için basitçe fişe takın. Bu, cihazı uyandırır.

# 7. SORUN GİDERME

SORUN	ÇÖZÜM
Eşleşme başarısız oldu	Erişim kodundaki harf ve sayıları (örn. B ve 8, I ve 1 vb.) karıştırmayın.
Ölçüm doğru değil.	<ul style="list-style-type: none"> <li>Sensör kalibrasyonunu kontrol edin.</li> <li>Bir hava kabarcığı, değerlerin hatalı olmasına neden olabilir. Kabarcıkları ortadan kaldırmak için cihazı yavaşça hareket ettirin.</li> </ul>
Anormal ölçümler (pH ve ORP)	Probdaki kabarcıklar buna sebep olabilir. Kabarcıkları gidermek için cihazı suyun altında sallayın ve ardından yeniden ölçüm yapın.
Durum kontrolü için cihazı ters çevirdiğinizde hiçbir şey olmuyor	<ul style="list-style-type: none"> <li>Cihazı yavaşça çevirin, en az 1 saniye süreyle ters konumda tuttuğunuzdan emin olun.</li> <li>Şarj etmek için fişe takın.</li> </ul> <p>LED hala yanmıyorsa, bayinizle iletişim kurun.</p>
Cihaz şarj olmuyor (mavi LED yanmıyor)	<ul style="list-style-type: none"> <li>Şarj cihazınızı kontrol edin</li> <li>USB-C kablonuzu kontrol edin</li> </ul> <p>Cihaz hala şarj olmuyorsa, bayinizle iletişim kurun.</p>
Cihazınızı Bluetooth ile bağlamak istediğinizde, cihazınız algılanmıyor ve cihaz listesinde görünmüyor.	<ul style="list-style-type: none"> <li>Akıllı telefonunuzda Bluetooth® özelliğinin etkin olup olmadığını kontrol edin</li> <li>Cihazın zaten başka bir akıllı telefona bağlı olup olmadığını kontrol edin</li> <li>Cihazı şarj edin</li> </ul> <p>Cihaz hala şarj olmuyorsa, bayinizle iletişim kurun.</p>
Ürününüzü çevirdiğinizde su durum rengini göremiyorsunuz.	<ul style="list-style-type: none"> <li>Daha karanlık bir yerde veya elinizle gölge yaparak tekrar deneyin.</li> <li>Cihazı şarj edin</li> </ul>
Cihazı çok sık şarj etmeniz gerekiyor	<ul style="list-style-type: none"> <li>Wi-Fi sinyal kalitesini kontrol edin</li> <li>Cihazı havuzda farklı bir yere bırakmayı deneyin</li> <li>Havuzunuzun yakınına bir Wi-Fi yükselticisi takın</li> </ul>

SORUN	ÇÖZÜM
Bildirilen veriler tamamen aralık dışı	Probun olup olmadığını, somunun sıkıca vidalandığını ve vidalamanın doğru yere yapıldığını kontrol edin.
LED alanında yoğuşma oluşuyor	Bu normaldir ve ürünün işlevini etkilemez. Ürün doğru şekilde 6 gün veya daha fazla süreyle saklandığında yoğuşma kaybolacaktır.
Ürün Wi-Fi'a bağlanmıyor	Ürünü Wi-Fi kutusuna daha yakın bir yere taşıyın.
İlk montaj veya kışa hazırlamadan sonra ölçüm yapılamıyor	Sensör çok kuru. Sensörü 24 saat suda bırakın, ardından kalibre edin ve sensörün düzgün çalışıp çalışmadığını kontrol edin.

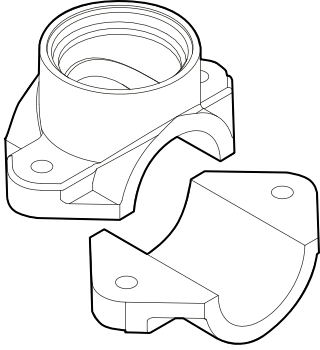
## 8. BLUE FIT 50 TANITIM

Blue Fit50, Blue Connect ile uyumlu bir hortum kelepçesidir. Blue Connect'i teknik odadaki boru tertibatına monte etmenizi sağlar.



Blue Fit50, bir Blue Connect aksesuarıdır. Ayrı satılır.

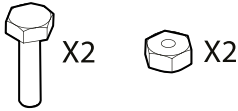
## 9. BLUE FIT50 AÇIKLAMA



**Bir hortum kelepçesi**



**Bir dişli kapak**



**İki vida ve civatalar**

### Kullanım Uyarıları

- Borularda su yokken Blue Connect'i Blue Fit50'nin üzerinde bırakmayın.
- Hidrolik devrede işlem yapılıyorsa (su darbesi riski), ürünün hasar görmemesi için Blue Connect'in sökülmesi önerilir.
- Blue Connect'in ölçüm alabilmesi için sisteminizde yeterli akış oluşturduğunuzdan emin olun.
- Blue Connect'i her zaman prob aşağı bakacak şekilde dikey olarak yerleştirin.
- Blue Connect'i Blue Fit50'ye takılıyken şarj etmeyin. Şarj etmeden önce sökün.
- Cihazı sürekli şarj etmeyin. Şarj sırasında ölçülen değerler hatalı olabilir

## 10.BLUE FIT50 KURULUM

Blue Fit50'yi her zaman filtreden sonra (probların hasar görmesini önlemek için) ve ürün enjeksiyon sistemi veya elektrolizden önce (Blue Connect tarafından alınan ölçümlerin değişmesini önlemek için) yerleştirdiğinizden emin olun.

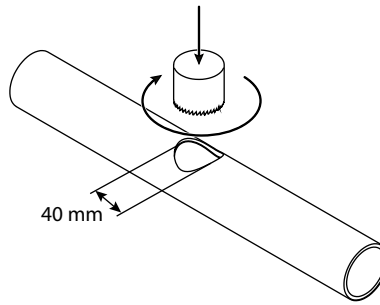
Boru tertibatına montaj için kabul edilebilir maksimum su basıncı 300 kPa'dır.

Herhangi bir şüpheniz varsa gerekirse havuz uzmanınızdan tavsiye alın.

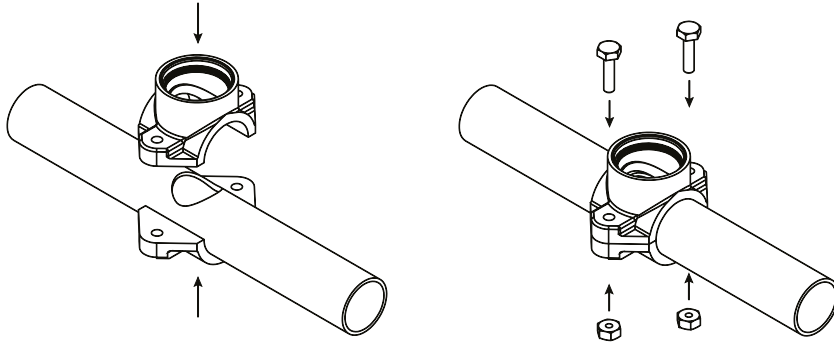
1. Filtrasyon sistemini kapatın.
2. 40mm çapındaki delik testeresi ile borunun üst kısmına bir delik açın.



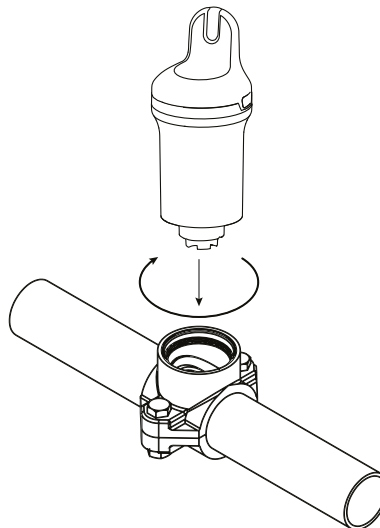
Blue Connect dikey konumda ve prob aşağı bakıyor olmalıdır.



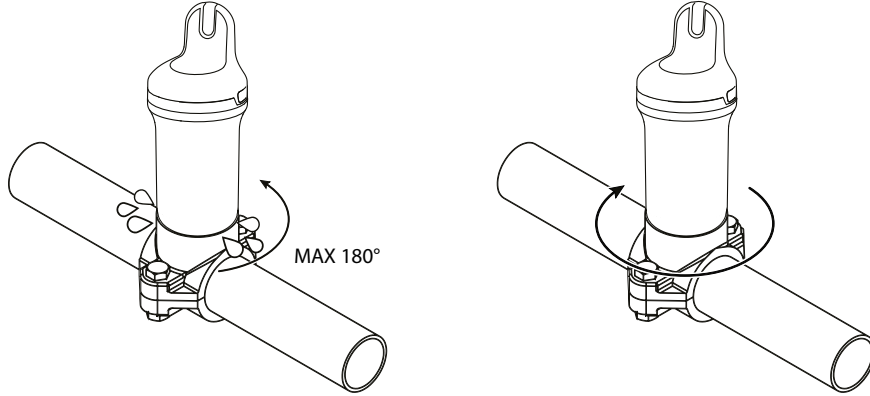
3. Hortum kelepçesinin her iki kısmını borunun her bir tarafına, delikler karşılıklı gelecek şekilde yerleştirin ve hortum kelepçesini vidalayın.



4. Blue Connect'i hortum kelepçesine vidalayın. Blue Connect'in üst ucu boruya paralel olmalıdır.



5. Filtrasyon sistemini açın
6. Kalmış olabilecek havayı tahliye etmek için Blue Connect'i hafifçe yavaşça gevşetin (maksimum ½ tur). Su geliyorsa, bu borularda hava kalmadığı anlamına gelir, bu durumda Blue Connect'i yeniden sıkıca vidalayabilirsiniz.

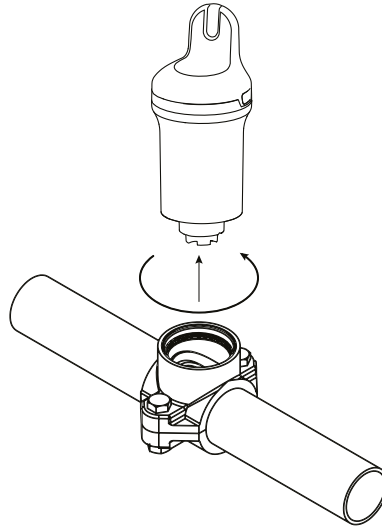


7. Uygulamadan, ürünü seçin ve Blue Fit50 etkinleştirme seçeneğini bularak talimatları uygulayın.

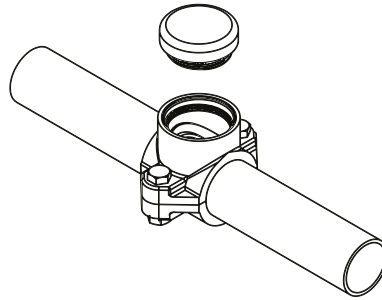
## 11.BLUE FIT50 KIŞIN SAKLAMA

Blue Connect'i kışın saklamaya hazırlarken bu prosedürü uygulayın.

1. Filtre pompasını ve vanaları kapatın ve Blue Connect'i gevşetin.



2. Blue Fit50 kutusunda yer alan kapak ile hortum kelepçesini kapatın.



3. Blue Connect Kışın Saklama prosedürünü takip edin (bkz. [Kışın Saklama, sayfa 354](#)).

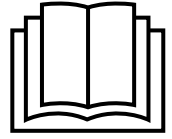
## المحتويات

361	1. مقدمة عن BLUE CONNECT
361	نظرة عامة
362	2. الوصف
363	3. تثبيت التطبيق
363	تنزيل التطبيق
363	4. تثبيت جهاز BLUE CONNECT
363	الشحن
364	الإقران بالتطبيق
365	التركيب
366	5. مؤشر الحالة
367	6. الصيانة
367	معايرة مجس درجة الحموضة
368	معايرة مجس ORP
369	استبدال المجس
371	التشئية
372	7. استكشاف الأعطال وإصلاحها
373	8. مقدمة عن BLUE FIT 50
373	9. وصف BLUE FIT50
373	احتياطات الاستخدام
374	10. تركيب BLUE FIT50
375	11. تشئية BLUE FIT50

إعادة التدوير هذا الرمز مطلوب استخدامه بموجب التوجيه الأوروبي WEEE 2012/19/EU (التوجيه حول نفايات المعدات الكهربائية والإلكترونية) ويعني أنه يجب عدم إلقاء الجهاز في صندوق المخلفات العادية. ولكن، سوف يتم جمعه بصورة انتقائية لغرض إعادة الاستخدام أو إعادة التدوير أو التحويل. وإذا احتوى على أي مواد قد تكون ضارة بالبيئة فسوف يتم التخلص منها أو تحييدها. يُرجى الاتصال بتاجر التجزئة المحلي للحصول على المعلومات بشأن إعادة التدوير.



- قبل استخدام الجهاز، من المهم قراءة تحذيرات السلامة وكتيب الضمان المرفق بالمنتج. قد يؤدي عدم القيام بذلك إلى وقوع إصابة خطيرة أو مميتة، وحدوث تلف مادي، وسيؤدي إلى إبطال الضمان.
- احتفظ بهذه الوثائق بصحبة الجهاز للاطلاع عليها لاحقًا خلال فترة خدمة الجهاز.
- يحظر توزيع أو تعديل هذه الوثيقة بأي طريقة، دون الحصول على تصريح مسبق من الشركة المصنعة.
- تُطور الشركة المُصنعة منتجاتها باستمرار لتحسين جودتها. وهي تحتفظ بالحق في تغيير سمات المنتج أو محتويات هذه الوثيقة بشكل كلي أو جزئي دون تحذير مسبق.



## 1. مقدمة عن BLUE CONNECT

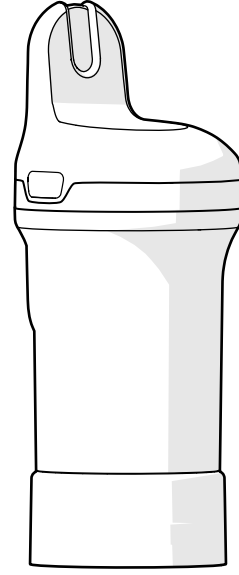
يقيس جهاز Blue Connect البارامترات الأساسية لحمام السباحة (درجة الحرارة، درجة الحموضة، الكلور، قابلية التوصيل) بشكل مستمر. وهو يعلمك كذلك بدرجة الحرارة الخارجية وحالة الطقس حسب موقعك الجغرافي. ويتم إرسال نتائج هذا التحليل فيما بعد إليك على هيئة إخطارات على تطبيق Fluidra Pool (متاح على الهاتف الذكي والجهاز اللوحي، ومتوافق مع نظامي Android™ و iOS). إذا اكتشف الجهاز أن أحد البارامترات غير صحيح، فستتلقى إنذارًا ومعلومات بشأن الإجراء التصحيحي الذي يمكن اتخاذه لتنظيم هذا البارامتر واستقراره للمحافظة على جودة المياه الصحية والمتوازنة.

### نظرة عامة

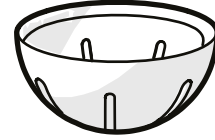
يقيس جهاز Blue Connect:

- **درجة حرارة الماء (مئوية):** يقيس درجة حرارة الماء. تقلل درجات الحرارة المرتفعة كفاءة الكلور وتساعد على نمو الكائنات الدقيقة.
- **درجة الحموضة (الأس الهيدروجيني):** يقيس الحموضة أو الخاصية الأساسية للماء. وتسهم درجة الحموضة في رفع كفاءة المُطَهِّر.
- **ORP/REDOX (جهد الأكسدة والاختزال/نطاق الأكسدة والاختزال):** يقيس ORP أو REDOX قدرة أكسدة الماء بوحدات المللي فولت. وهو يقدم معلومات حول قدرة الماء على التطهير.
- **قابلية التوصيل (ميكروثانية):** يقيس تركيز الأملاح غير العضوية في الماء عن طريق قدرة الماء على توصيل الكهرباء (حسب الطراز).
- **الملوحة (غرام/لتر):** يقيس تركيز الملح الذائب في الماء (حسب الطراز).

**Blue Connect** - يتوفر مصحوبًا بقاعدة تخزين لحماية المجس أثناء النقل. ويكون المجس مغمورًا في كلوريد البوتاسيوم المُشبع، لضمان حمايته. **قاعدة التخزين** - تُستخدم لنقل المجس خارج الماء أو للاحتفاظ بالمستشعرات مغمورة خلال فترات التخزين الطويلة (على سبيل المثال عند الشحن أو في الشتاء).



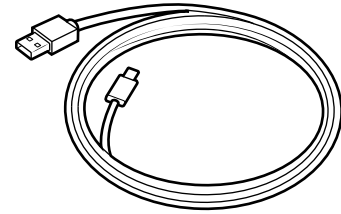
**غطاء المستشعر** - يجب تركيبه دائمًا على الجهاز قبل وضعه في الماء. وهو يحمي المستشعرات من أي تلف.



**السلك** - يُستخدم لثبيت الجهاز على نقطة تثبيت (اختياري). ربما يجب استخدام كماشة صغيرة لإدخاله في الفتحة الموجودة على جانب المنتج.



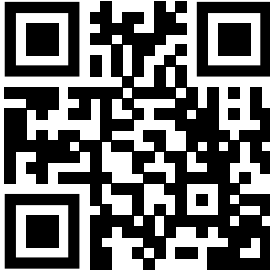
**كابل USB-C** - يُستخدم للشحن



## 3. تثبيت التطبيق

## تنزيل التطبيق

نزّل تطبيق Fluidra Pool واتبع التعليمات لإنشاء حساب وإعداد حمام السباحة.



## 4. تثبيت جهاز BLUE CONNECT

الخطوات التالية مطلوبة لتركيب وتشغيل جهاز Blue Connect:

- اشحن الجهاز،
- أقرن الجهاز بتطبيق Fluidra Pool
- ركب غطاء المستشعر وضعه في حمام السباحة

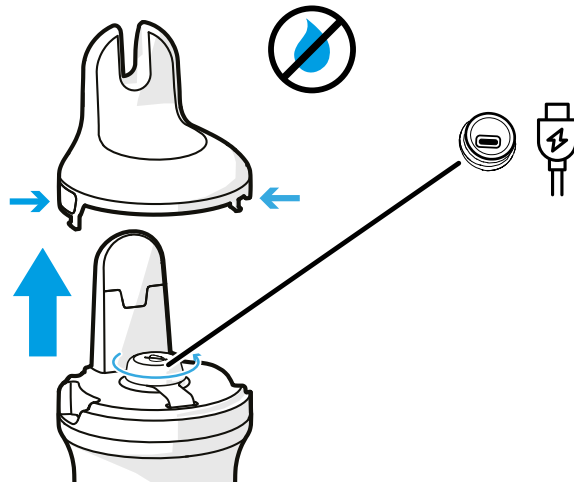
## الشحن

- يجب عليك شحن الجهاز بالكامل قبل استخدامه. احرص دائمًا على شحنه في وضع عمودي قائم باستخدام قاعدة التخزين المملوءة بمحلول كلوريد البوتاسيوم المشبع أو الماء.
- أثناء الشحن، قد تكون القيم المقاسة (الأس الهيدروجيني pH والأكسدة المحتملة والاختزال ORP) غير صحيحة. لا تأخذ هذه القيم بعين الاعتبار أثناء الشحن.



لشحن جهاز Blue Connect:

1. جفف جهاز Blue Connect جيدًا ثم انزع الغطاء العلوي بالضغط على كلا الجانبين ثم سحبه للأعلى.
2. فك غطاء منفذ الشحن ووصل كابل USB-C بالجهاز وبمصدر تيار كهربائي لشحنه.



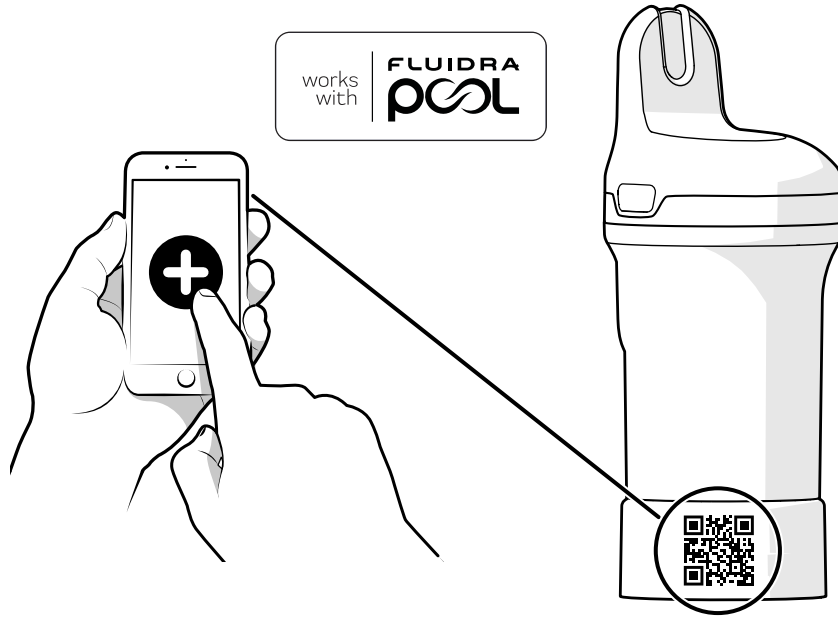
يجب أن يكون منفذ الشحن جافًا قبل الشحن. تعامل معه بيدين جافتين في منطقة جافة.



3. بعد الشحن، أغلق منفذ الشحن بإحكام وأعد وضع الغطاء على جهاز Blue Connect

## الإقران بالتطبيق

افتح تطبيق Fluidra Pool وانقر فوق إضافة جهاز لإقران جهاز Blue Connect. يوجد رمز QR المستخدم للإقران على قاعدة التخزين وأسفل الغطاء العلوي الذي يُزال من أجل الشحن.



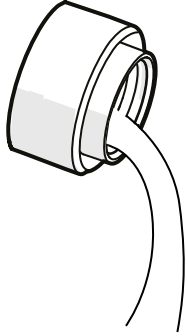
بمجرد الاتصال بالتطبيق، سيتم إخطارك من خلال التطبيق إذا كانت هناك أي تحديثات متاحة للبرنامج الثابت. اتبع التعليمات في التطبيق لتحديث منتجك.



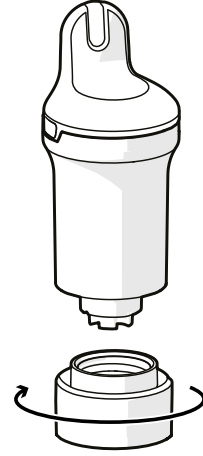
## التركيب

قبل الاستخدام، يجب عليك إزالة قاعدة التخزين وتركيب غطاء المستشعر.

2. أفرغ قاعدة التخزين واشطفها بالماء النظيف. ثم ضعها جانباً.  
ملاحظة: احتفظ بقاعدة التخزين في مكان آمن لاستخدامها لاحقاً.



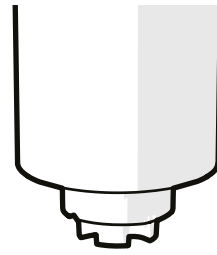
1. ضع جهاز Blue Connect في وضع قائم وفك قاعدة التخزين.



4. تثبت غطاء المستشعر بإحكام لحماية المجسات.

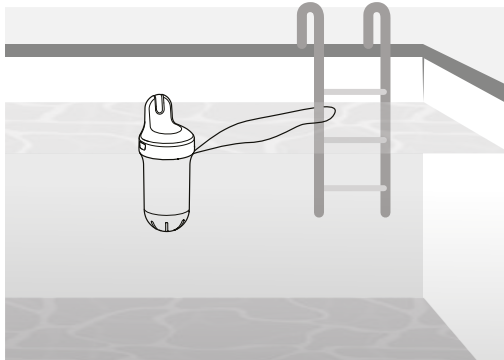


3. اشطف المجس بالماء النظيف.



5. ضع جهاز Blue Connect في حمام السباحة واتركه يطفو في الماء. ويمكنك عند اللزوم تثبيته بأمان بإحدى نقاط التثبيت بواسطة سلك.

تأكد من وجود الجهاز في وضع عمودي ووجود الجزء العلوي له خارج الماء للسماح بعمل نظام الاتصالات بشكل صحيح.

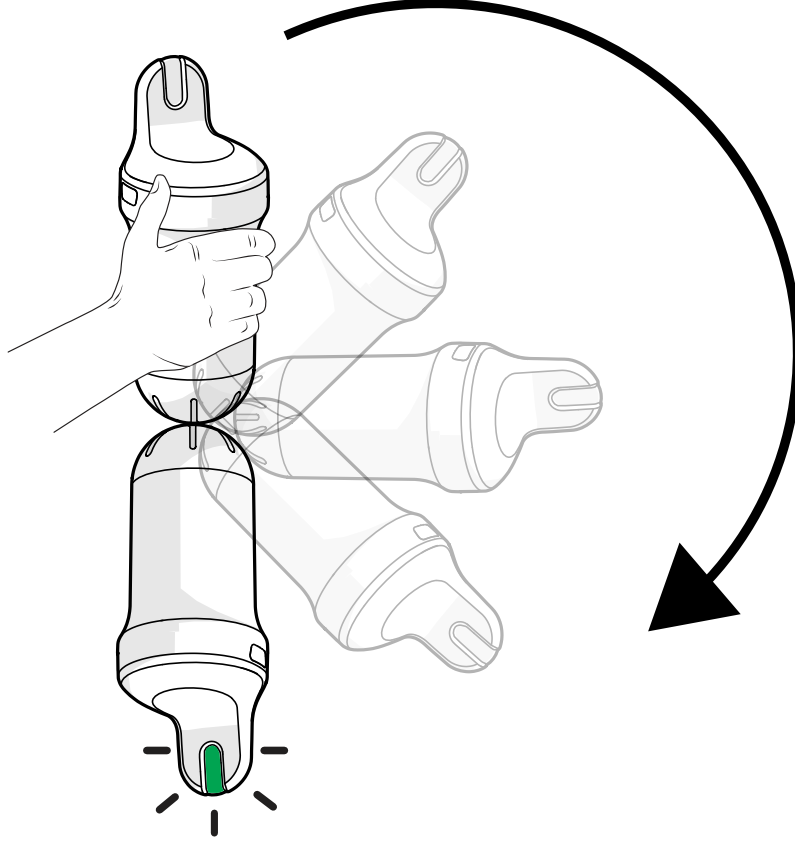


بالنسبة لحمامات السباحة المزودة بغطاء، لا يوصى باستخدام سلك لربط جهاز Blue Connect عند إغلاق غطاء حمام السباحة. فقد يُعْمَر الجهاز في الماء في حالة ربطه ومن ثم يفقد القدرة على الاتصال.



## 5. مؤشر الحالة

يقدم مؤشر LED الموجود على المنتج معلومات حول جودة الماء، وحالة البطارية، والشحن. إذا أردت فحص حالة الماء/البطارية مباشرةً على الجهاز (بدلاً من الرجوع إلى التطبيق) فأخرجه من الماء واقبله رأساً على عقب على النحو المبين. ويجب عليك تثبيته لمدة ثانية واحدة على الأقل في الوضع المقلوب. يُصدر جهاز Blue Connect صغيراً ويطيئ مؤشر LED (انظر حالة المؤشر في الجدول التالي).



الوصف	مؤشر الحالة / الصفير	الحالة
الشحن	وميض بطيء باللون الأزرق / صغير مرة واحدة	الشحن
تم الشحن (بالكامل)	أزرق مستمر	
الجهاز غير نشط	مُطفأ	غير نشط
انخفاض شحن البطارية	وميض 3 مرات باللون الأحمر / صغير 3 مرات	فحص الحالة السريع
الماء على ما يرام	أخضر مستمر 5 ثوانٍ / صغير مرة واحدة	(انظر التوضيح التالي)
الماء ليس على ما يرام (يجب التحقق من جودة الماء وتصحيحها. راجع تطبيق Fluidra Pool لمزيد من المعلومات.)	برتقالي مستمر 5 ثوانٍ / صغير مرة واحدة	
عدم عرض حالة الماء، الجهاز قيد التشغيل	أبيض مستمر 5 ثوانٍ / صغير مرة واحدة	
	وميض سريع باللون الأزرق / صغير مرة واحدة	تحديث البرنامج الثابت

يجب أداء جميع إجراءات الصيانة باستخدام تطبيق Fluidra Pool.

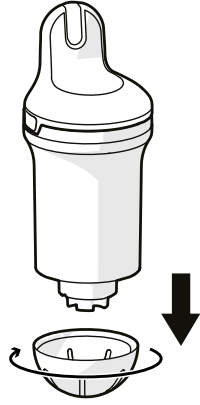
• يجب استخدام منتجات المعايرة مرة واحدة فقط. ويجب عدم استخدامها مرتين أبدًا. ويُرجى الاتصال بالموزع للحصول على منتجات جديدة.



• يجب عدم إجراء المعايرة أثناء شحن الجهاز.

## معايرة مجس درجة الحموضة

ينبغي إجراء المعايرة لمجس درجة الحموضة مرة واحدة في الموسم. من المهم أن يتوفر طقم المعايرة، ويمكنك الاتصال بالموزع المحلي لديك للحصول على مزيد من المعلومات. وهو ليس ضروريًا عند التركيب أول مرة.



1. أخرج الجهاز من الماء، وانزع غطاء المستشعر واشطف المجس بالماء النظيف.

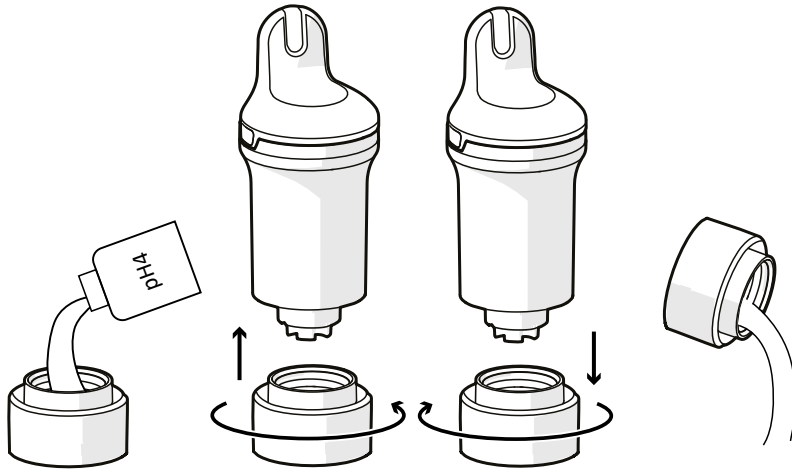
2. اشطف قاعدة التخزين بالماء النظيف وامسحها لتجفيفها.

3. احرص على تنشيط Bluetooth® على هاتفك الذكي. ابق قريبًا من جهازك خلال عملية المعايرة بالكامل.

4. حدد المنتج من التطبيق، وابحث عن قسم معايرة المجس، ثم اتبع الخطوات الإرشادية.

5. ضع محلول المعايرة pH4 في قاعدة التخزين وثبتها على الجهاز. اتبع التعليمات في التطبيق.

6. بمجرد استكمال قياس pH4، فك قاعدة التخزين واشطف المجس. أفرغ القاعدة واشطفها بماء نظيف وامسحها.



7. كرر الخطوة 5 باستخدام محلول pH7.

احرص دائمًا على تنظيف المجس وقاعدة التخزين بالماء النظيف بعد استخدام منتج المعايرة لتجنب حدوث اختلاط.

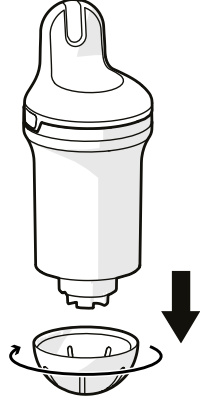


8. تحقق من صحة المعايرة.

9. ركب غطاء المستشعر على جهاز Blue Connect وضعه مرة أخرى في حمام السباحة.

## معايرة مجس ORP

ينبغي إجراء معايرة مجس ORP (جهد الأكسدة والاختزال) مرة واحدة في الموسم. من المهم أن يتوفر طقم المعايرة، ويمكنك الاتصال بالموزع المحلي لديك للحصول على مزيد من المعلومات. وهو ليس ضروريًا عند التركيب أول مرة.



1. أخرج الجهاز من الماء، وانزع غطاء المستشعر واشطف المجس بالماء النظيف.

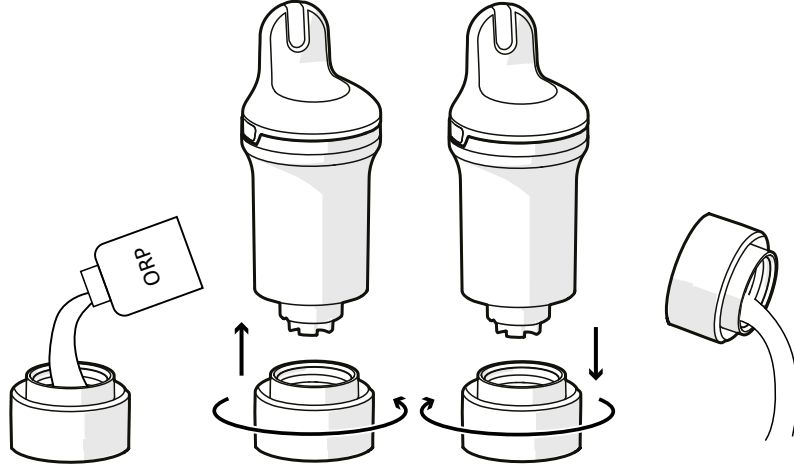
2. اشطف قاعدة التخزين بالماء النظيف وامسحها لتجفيفها.

3. احرص على تنشيط Bluetooth® على هاتفك الذكي. تواجده على مقربة من جهازك خلال عملية المعايرة بالكامل.

4. حدد المنتج من التطبيق، وابحث عن قسم معايرة المجس، ثم اتبع الخطوات الإرشادية.

5. ضع محلول ORP في قاعدة التخزين وثبتها على الجهاز. اتبع التعليمات في التطبيق.

6. بمجرد استكمال قياس ORP، فك قاعدة التخزين واشطف المجس. أفرغ القاعدة واشطفها بماء نظيف وامسحها.



- احرص دائمًا على تنظيف المجس وقاعدة التخزين بالماء النظيف بعد استخدام منتج المعايرة لتجنب حدوث اختلاط.
- بعد معايرة الأكسدة المحتملة / redox، قد يستغرق الحصول على قياسات صحيحة بعض الوقت. انتظر 6 ساعات على الأقل قبل إجراء القياس في حوض السباحة.



7. تحقق من صحة المعايرة.

8. ركب غطاء المستشعر على جهاز Blue Connect وضعه مرة أخرى في حمام السباحة.

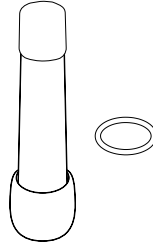
## استبدال المجس

يجب استبدال المجس كل سنتين تقريبًا. ويُرجى الاتصال بالموزع للحصول على مجس جديد.

- لضمان طول عمر المجس إلى أقصى حد، احتفظ به قدر الإمكان في بيئة رطبة. وإذا أخرجت الجهاز من الماء، فيجب تركيب قاعدة التخزين باستخدام كلوريد البوتاسيوم المشبع (KCl)، أو محلول معايرة pH4، أو ماء حمام السباحة كخيار أخير.
- يعزز انخفاض درجة الحموضة (في حدود البارامترات المناسبة لحمام السباحة) طول عمر المجس.
- عند تغيير المجس، تأكد من عدم ترك المنتج مفتوحًا لمدة أطول مما ينبغي، لأن مادة التجفيف ربما تمتص الرطوبة ويصبح المنتج عرضةً لهذه الرطوبة فيما بعد بمجرد إغلاقه



## طعم استبدال المجس

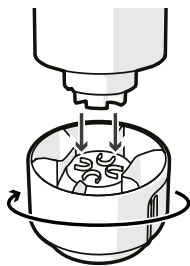
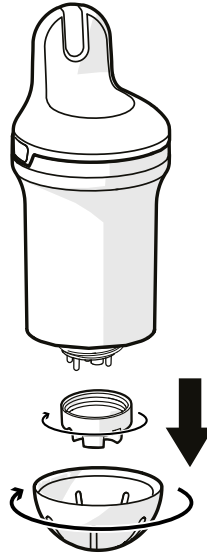


## التركيب

يوصى بشدة بأداء هذا الإجراء مع الاحتفاظ بالمنتج في وضع عمودي قائم حتى لا يتسلل الماء إليه.



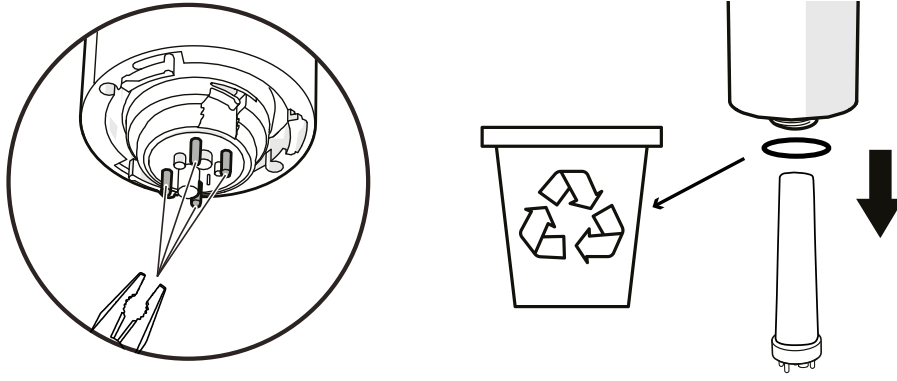
1. حدد منتجك من التطبيق، وابحث عن قسم استبدال المجس، ثم اتبع الخطوات الإرشادية.
2. أخرج جهاز Blue Connect من الماء. امسح الجهاز لتجفيفه وابدأ تنفيذ الإجراء في مكان جاف ونظيف.
3. انزع غطاء المستشعر وغطاء المجس.



يمكنك عند اللزوم استخدام الجانب السفلي من قاعدة التخزين لفك غطاء المجس.

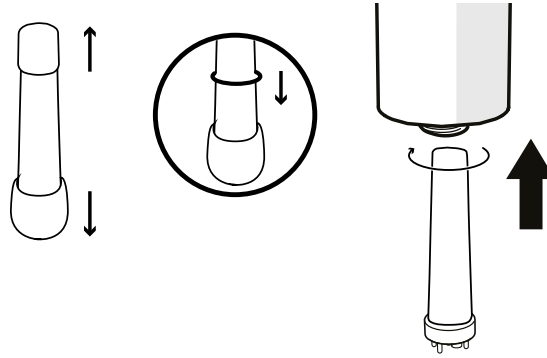


4. اسحب الأطراف البلاستيكية الأربعة للمجس برفق. ويمكنك إذا اقتضت الضرورة استخدام الكماشة لإزالة المجس (انظر الصورة المُقربة). امسح أي ماء متبقي واحتفظ بالجهاز في وضع قائم. احرص على إزالة مانع التسرب والتخلص منه (ربما يكون عالقًا بالداخل).



5. امسح رمز QR للمجس الجديد

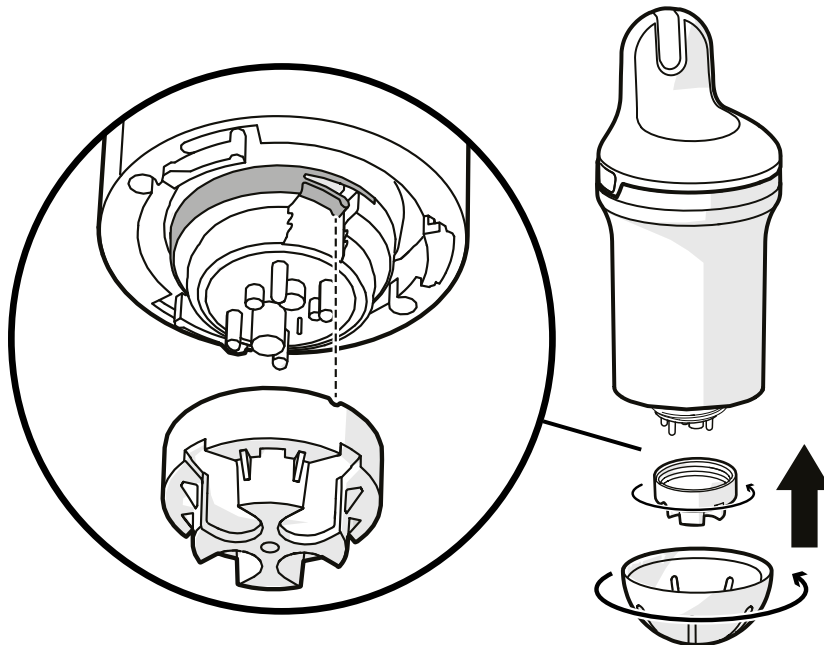
6. انزع الغطاء الواقي الموجود على المجس الجديد. ضع مانع التسرب الجديد على المجس الجديد. أدخل المجس وقم بتدويره حتى يتخذ الوضعية الصحيحة.

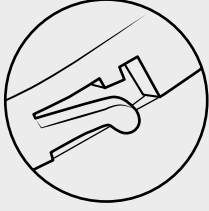


- توخ الحذر لعدم إسقاط المجس لأنه شديد القابلية للكسر.
- تجنب استخدام أي أدوات ولا تلمس مناطق الاستشعار على المجس عند تركيبه لتجنب إتلافه.
- ينبغي إجراء هذه الخطوات في أسرع وقت ممكن لتجنب فتح الجهاز لمدة أطول مما ينبغي.



7. تُثبِت غطاء المجس بقوة على الجهاز حتى يستقر في موضعه بإحكام (انظر الصورة المُقربة). يمكنك استخدام الجانب السفلي من قاعدة التخزين لربطه بإحكام. بعد ذلك، ركب غطاء المستشعر وضع جهاز Blue Connect مرة أخرى في الماء.





يجب تثبيت غطاء المجس بحيث يستقر اللسان الصغير في موضعه على النحو المُبين. وإلا، فربما يتعرض المنتج للتلف.



قد يتطلب المستشعر عدة ساعات حتى تستقر بارامتراته بعد غمره أول مرة في حمام السباحة



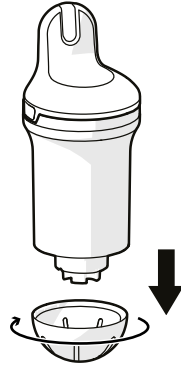
## التشئية

للمحافظة على حالة التشغيل الجيدة للجهاز، يجب عليك تخزينه بشكل ملائم لفصل الشتاء بإعداده لوضع الشتاء. تأكد من شحنه بالكامل قبل اتباع الإجراء التالي.

### وضع الشتاء

يجب عليك إعداد الجهاز لوضع الشتاء قبل تخزينه لفصل الشتاء. لا يمكن تنشيط وضع الشتاء أثناء شحن الجهاز.

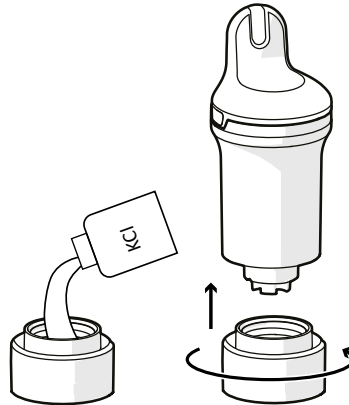
1. أخرج جهاز Blue Connect من الماء. انزع غطاء المستشعر.



2. تأكد من تمكين الإنترنت (شبكة واي فاي أو الجيل الرابع) و Bluetooth® على هاتفك الذكي. ابقَ على مقربة من الجهاز خلال عملية الاستعداد بالكامل.

3. قم بإعداد الجهاز لوضع الشتاء - في التطبيق، حدد المنتج، وابحث عن وضع الشتاء، ثم اتبع الخطوات الإرشادية.

4. اشطف قاعدة التخزين بالماء النقي وامسحها. ضع محلول كلوريد الصوديوم المشبع (KCl) أو محلول المعايرة pH4 (أو الماء كخيار أخير) في قاعدة التخزين وثبت القاعدة على الجهاز.





قد يؤدي محلول كلوريد الصوديوم المشبع الموجود في قاعدة التخزين إلى تكوّن ملح متكتل في نقطة الالتقاء بجسم الجهاز، غير أن هذا لا يشكل أي خطورة بأي حال من الأحوال. اشطفه فقط بماء نظيف.

5. تحقق من صحة وضع الشتاء وخن جهاز Blue Connect مع حمايته من الصقيع.

### التخزين

إذا اقتضت الضرورة إخراج Blue Connect من حمام السباحة لمدة تزيد على ساعة واحدة، فرجّب قاعدة التخزين مع محلول كلوريد البوتاسيوم المشبع أو محلول pH4 أو ماء حمام السباحة كخيار أخير لأنه لا يمكن ترك المجس جافاً.

### إعادة التنشيط بعد التثنية

لإعادة تنشيط جهاز Blue Connect بعد التثنية، وصله فقط لشحن البطارية. فهذا يؤدي لتنشيطه.

## 7. استكشاف الأعطال وإصلاحها

المشكلة	الحل
فشل الإقران	لا تخلط بين الأحرف والأرقام (على سبيل المثال، B و8، وA و1، وما إلى ذلك) في رمز الوصول.
القياسات غير صحيحة.	<ul style="list-style-type: none"> <li>افحص معايرة المستشعر.</li> <li>يمكن لفقاعة هواء أن تفسد القياسات. حرّك الجهاز ببطء لمحاولة التخلص من الفقاعات.</li> </ul>
القياسات غريبة الأطوار (درجة الحموضة وجهد الأكسدة والاختزال)	ربما تكون الفقاقيع على المجس هي السبب في ذلك. رُجّج الجهاز تحت الماء للتخلص من الفقاقيع وأعد القياس.
عند قلب الجهاز رأساً على عقب للحصول على فحص الحالة، لا يحدث أي شيء	<ul style="list-style-type: none"> <li>اقلب الجهاز ببطء، وتأكد من تثبيته رأساً على عقب لمدة ثانية واحدة على الأقل.</li> <li>قم بتوصيله لشحنه.</li> </ul>
لا يتم شحن الجهاز (عدم إضاءة مؤشر LED الأزرق)	<ul style="list-style-type: none"> <li>افحص الشاحن</li> <li>افحص كابل USB-C</li> </ul>
عندما ترغب في توصيل جهازك عبر Bluetooth، لا يتم الكشف عن الجهاز ولا يظهر في قائمة الأجهزة.	<ul style="list-style-type: none"> <li>في حالة استمرار عدم شحن الجهاز، اتصل ببيئع التجزئة.</li> <li>تحقق من تفعيل خاصية بلوتوث على هاتفك الذكي</li> <li>تحقق مما إذا كان الجهاز غير متصل بالفعل بهاتف ذكي آخر</li> <li>اشحن الجهاز</li> </ul>
عدم رؤية لون حالة الماء بعد قلب المنتج.	<ul style="list-style-type: none"> <li>في حالة استمرار عدم شحن الجهاز، اتصل ببيئع التجزئة.</li> <li>افحص الجهاز في منطقة معتمدة أكثر أو بصنّع ظل بيدك</li> <li>اشحن الجهاز</li> </ul>
يجب إعادة شحن الجهاز كثيرًا	<ul style="list-style-type: none"> <li>تحقق من جودة إشارة شبكة واي فاي</li> <li>جرب ترك الجهاز في مكان مختلف في حمام السباحة</li> <li>رُجّب جهاز تقوية شبكة واي فاي بالقرب من حمام السباحة</li> </ul>

المشكلة	الحل
البيانات الواردة خارج النطاق تمامًا	تحقق مما إذا كان المجس موجودًا، والصامولة مثبتة بإحكام، وعدة التثبيت في مكانها.
يظهر تكاثف داخل منطقة LED	هذا أمر طبيعي ولا يؤثر على وظيفة المنتج. سيختفي التكاثف بعد تخزين المنتج بشكل صحيح لأكثر من 6 أيام
المنتج لا يتصل بشبكة Wi-Fi	قم بتحريك المنتج بالقرب من جهاز توجيه Wi-Fi
عدم إجراء القياس بعد التركيب أول مرة أو بعد التنشيط	المستشعر شديد الجفاف. اترك المستشعر في الماء لمدة 24 ساعة، ثم قم بمعايرته وتحقق مما إذا كان يعمل بشكل صحيح.

## 8. مقدمة عن BLUE FIT 50

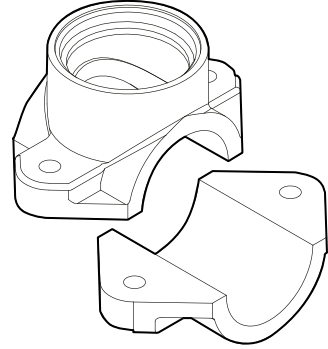
Blue Fit50 هو مشبك خرطوم متوافق مع جهاز Blue Connect. وهو يتيح تركيب جهاز Blue Connect على الأنابيب في الغرفة الفنية.

Blue Fit50 هو أحد ملحقات جهاز Blue Connect. ويُباع بشكل منفصل.

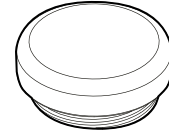


## 9. وصف BLUE FIT50

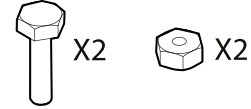
مشبك خرطوم واحد



غطاء ملولب واحد



برغيان ومسماران



## احتياطات الاستخدام

- لا تترك جهاز Blue Connect على Blue Fit50 أثناء عدم وجود ماء في الأنابيب.
- إذا كنت تتعامل مع الجهاز على دائرة هيدروليكية (خطر حدوث الطرق المائي)، يوصى بإخراج Blue Connect لعدم إتلاف المنتج.
- تأكد من توافر التدفق الكافي في منشأتك حتى يتمكن Blue Connect من تسجيل القياسات.
- احرص دائماً على وضع Blue Connect بشكل عمودي مع توجيهه المجس للأسفل.
- تجنب شحن Blue Connect أثناء تركيبه على Blue Fit50. وأزله قبل الشحن.
- لا تشحن الجهاز بشكل دائم. قد تكون القيم المقاسة غير صحيحة أثناء الشحن.

## 10. تركيب BLUE FIT50

تأكد دائماً من وضع Blue Fit50 بعد المرشح (لتجنب إتلاف المجسات) وقبل نظام حقن المنتج أو التحليل الكهربائي (لتجنب تغير القياسات التي يسجلها Blue Connect).

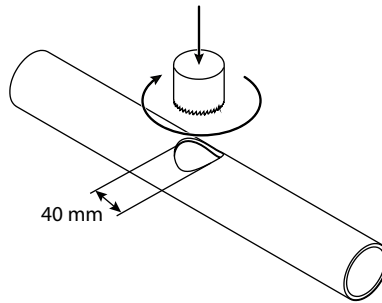
الحد الأقصى المسموح به لضغط الماء للتركيب في الأنبوب هو 300 كيلوباسكال.

اسأل اختصاصي حمام السباحة الذي تتعامل معه إذا لزم الأمر للحصول على نصائحه إذا ساورك أي شك.

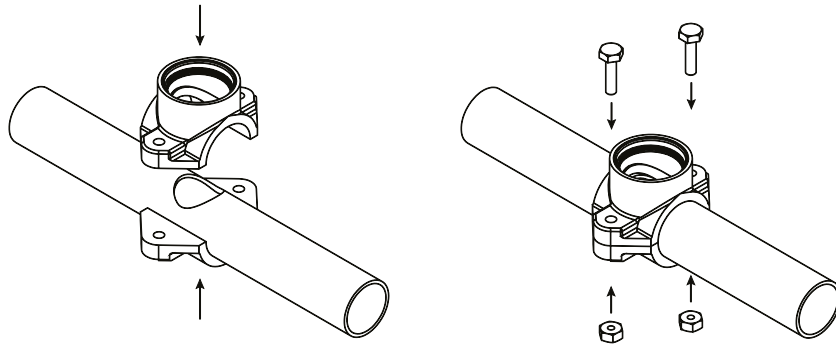
1. أوقف تشغيل نظام الترشيح.

2. استخدم منشار ثقب بقطر 40 ملم لصنع ثقب في الجزء العلوي من الأنبوب.

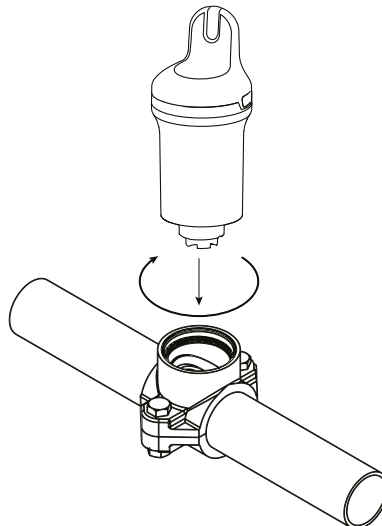
يجب أن يتخذ Blue Connect وضعًا عموديًا، مع توجيهه المجس للأسفل.



3. ضع جزأي مشبك الخرطوم على كلا جانبي الأنبوب بحيث تتطابق الفتحتين، وثبت مشبك الخرطوم.

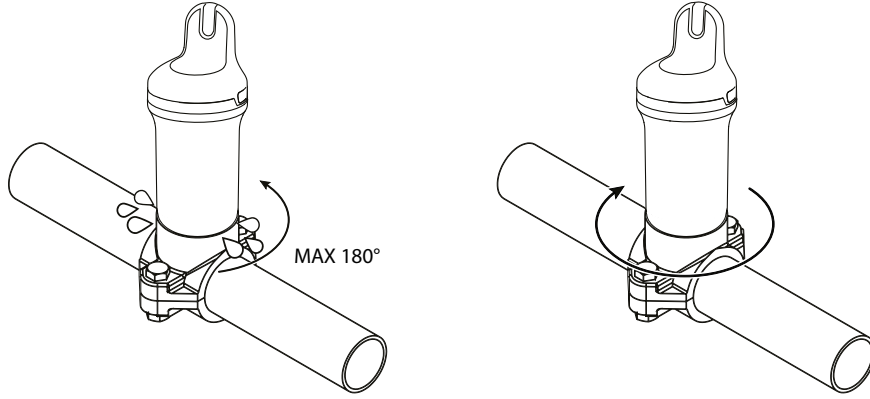


4. ثبت جهاز Blue Connect على مشبك الخرطوم. يجب أن تكون الحافة العليا لجهاز Blue Connect موازية للأنبوب.



5. شغل نظام الترشيح.

6. فك جهاز Blue Connect قليلاً وبيطء (نصف دورة بحد أقصى) لإخراج أي هواء. بمجرد خروج الماء، فإن هذا يعني عدم وجود أي هواء متبقٍ في الأنابيب، ويمكنك حينئذ تثبيت جهاز Blue Connect بإحكام مرة أخرى.

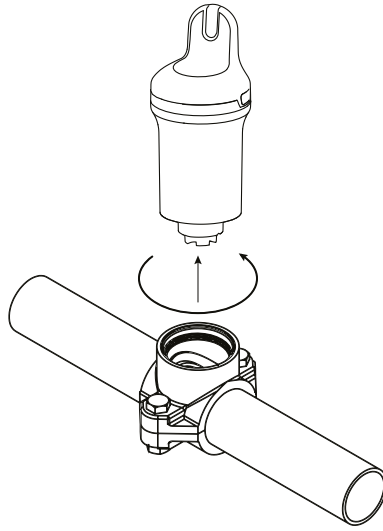


7. في التطبيق، حدد المنتج وابحث عن خيار تنشيط Blue Fit50 واتبع التعليمات.

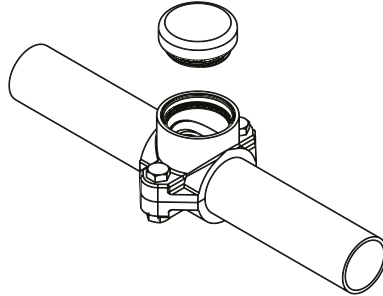
## 11. تنشية BLUE FIT50

اتبع هذا الإجراء عند الاستعداد لتخزين Blue Connect خلال فصل الشتاء.

1. أوقف تشغيل مضخة المرشح، وأغلق الصمامات، ثم فك جهاز Blue Connect.



2. أغلق مشبك الخرطوم بإحكام بالغطاء المتوفر في صندوق Blue Fit50.



3. اتبع الإجراء الخاص بتنشية Blue Connect (انظر [التنشية، الصفحة 37114](#)).



**[www.zodiac.com](http://www.zodiac.com)**

A Fluidra Brand

©2025 Fluidra. All rights reserved. ZODIAC® is a registered trademark of Zodiac Pool Care Europe, S.A.S.U., used under license. All other trademarks are the property of their respective owners. Apple and the Apple logo are trademarks of Apple, Inc., registered in the U.S. and other countries. App Store is a service mark of Apple, Inc., registered in the U.S. and other countries. Google Play and the Google Play logo are trademarks of Google LLC.