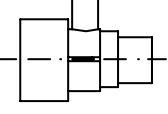
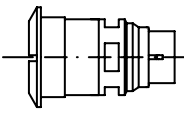
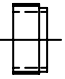
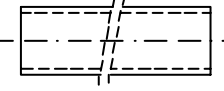
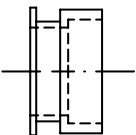
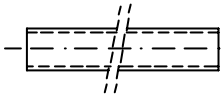


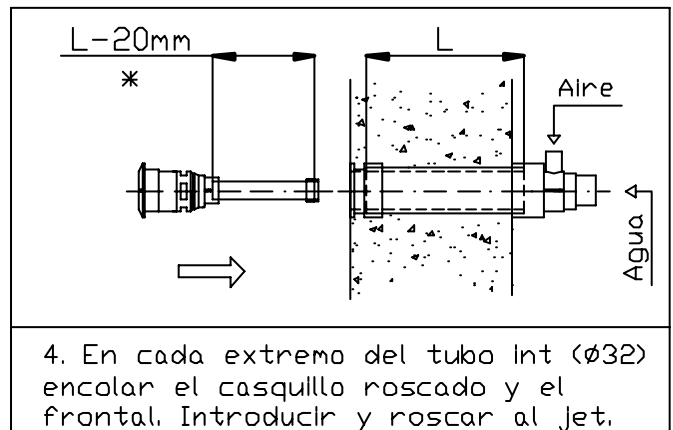
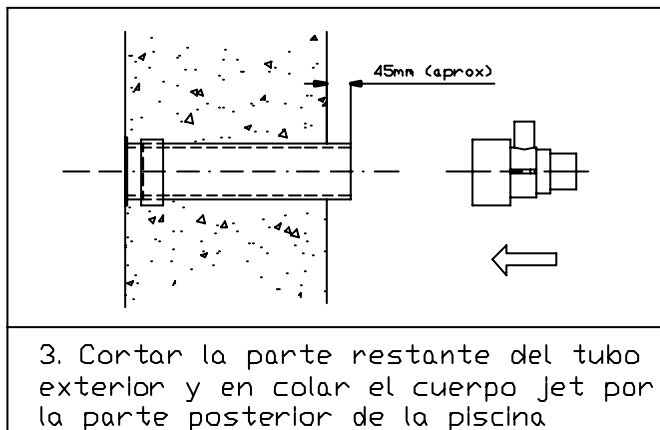
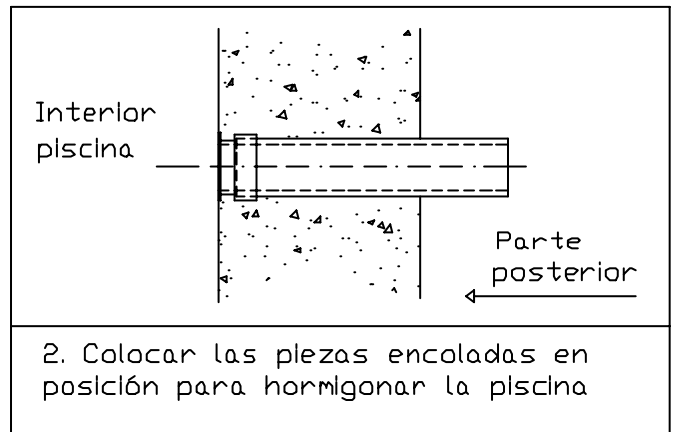
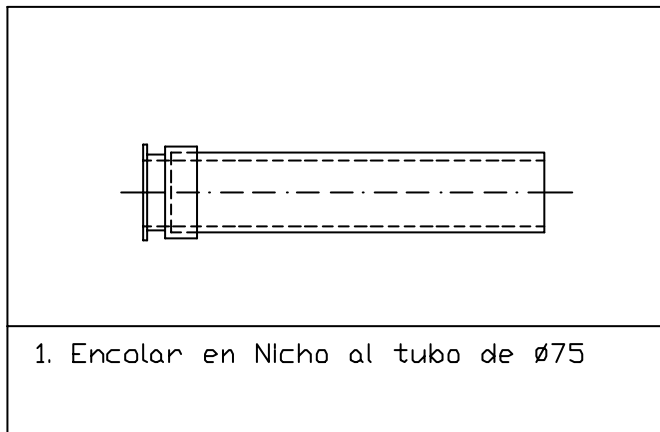
INSTALACIÓN

PASAMUROS DE 2 1/2" PARA JET ROTATORIO

| | DESCRIPCIÓN/COD. | | DESCRIPCIÓN/COD. |
|---|-------------------|--|--|
|  | CUERPO JET |  | CUERPO FRONTAL |
| | 20295-003 | | 20295-002 |
|  | CASQUILLO ROSCADO |  | PASAMURO ϕ 75 mm longitud 200 mm * |
| | 20295-004 | | PN6 02693 |
|  | NICHO |  | PASAMURO ϕ 32 mm longitud 180 mm |
| | 20295-001 | | PN10 02707 |

* Se entrega la tubería de $\phi 75 \times 200$ mm.

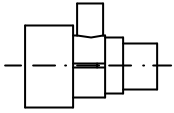
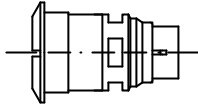
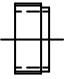

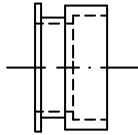
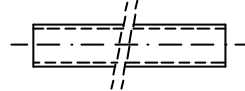
La relación del $\phi 75$ a $\phi 32$ es de -20 mm, ejemplo: $\phi 75 \times 200 = \phi 32 \times 180$



Una vez montado el pasamuros, colocar en el frontal el jet deseado

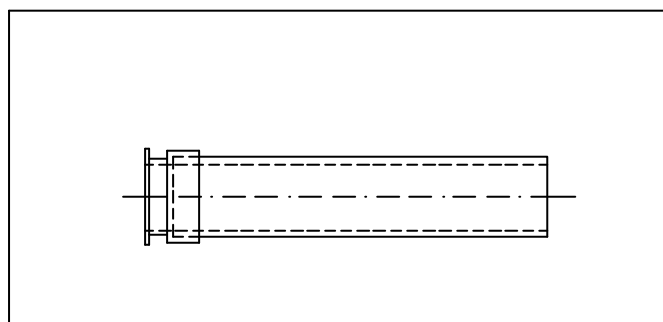
INSTALLATION

WALL CONDUIT 2 1/2" FOR ROTATING JET

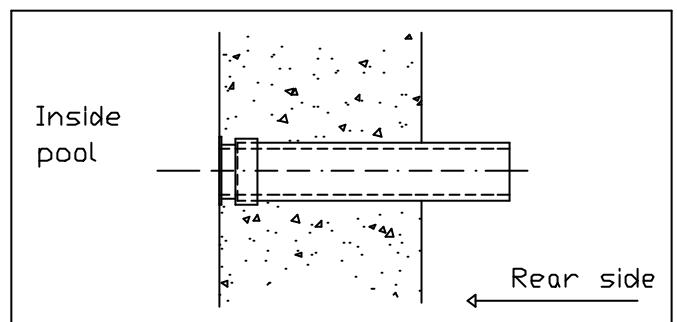
| | | | |
|---|----------------------------|--|--|
|  | DESCRIPTION/CODE |  | DESCRIPTION/CODE |
| | JET BODY 20295-003 | | FRONTAL BODY 20295-002 |
|  | DESCRIPTION/CODE |  | DESCRIPTION/CODE |
| | THREADED BUSH 20295-004 | | WALL CONDUIT * Ø 75mm x 200mm L. PN6 02693 |
|  | DESCRIPTION/CODE |  | DESCRIPTION/CODE |
| | NICHE 20295-001 | | WALL-CONDUIT ** Ø 32mm x 180mm L. PN10 02707 |

* Ø75mm x 200mm. pipe is supplied

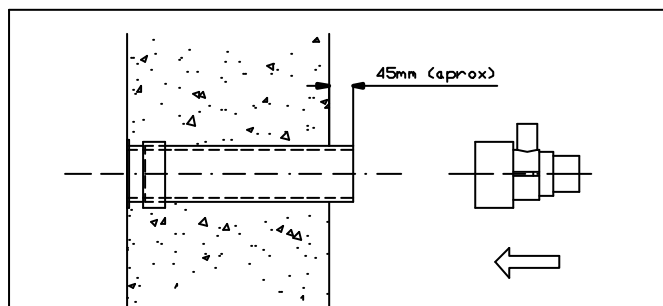
** Ø32mm x 180mm. pipe is supplied



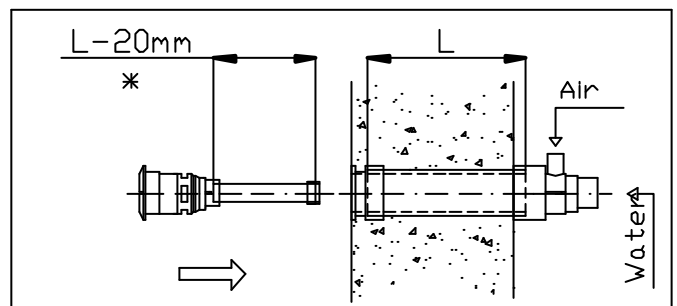
1. Glue the end Niche to Ø75 pipe



2. Situate the glued parts in place for concreting the pool wall



3. Cut the surplus pipe end and glue the jet body on the rear side of the pool



4. On each internal pipe end (Ø32), glue threaded bush and frontal body. Insert assembly and thread it to jet body

Once the wall conduit is assembled, fit the required jet